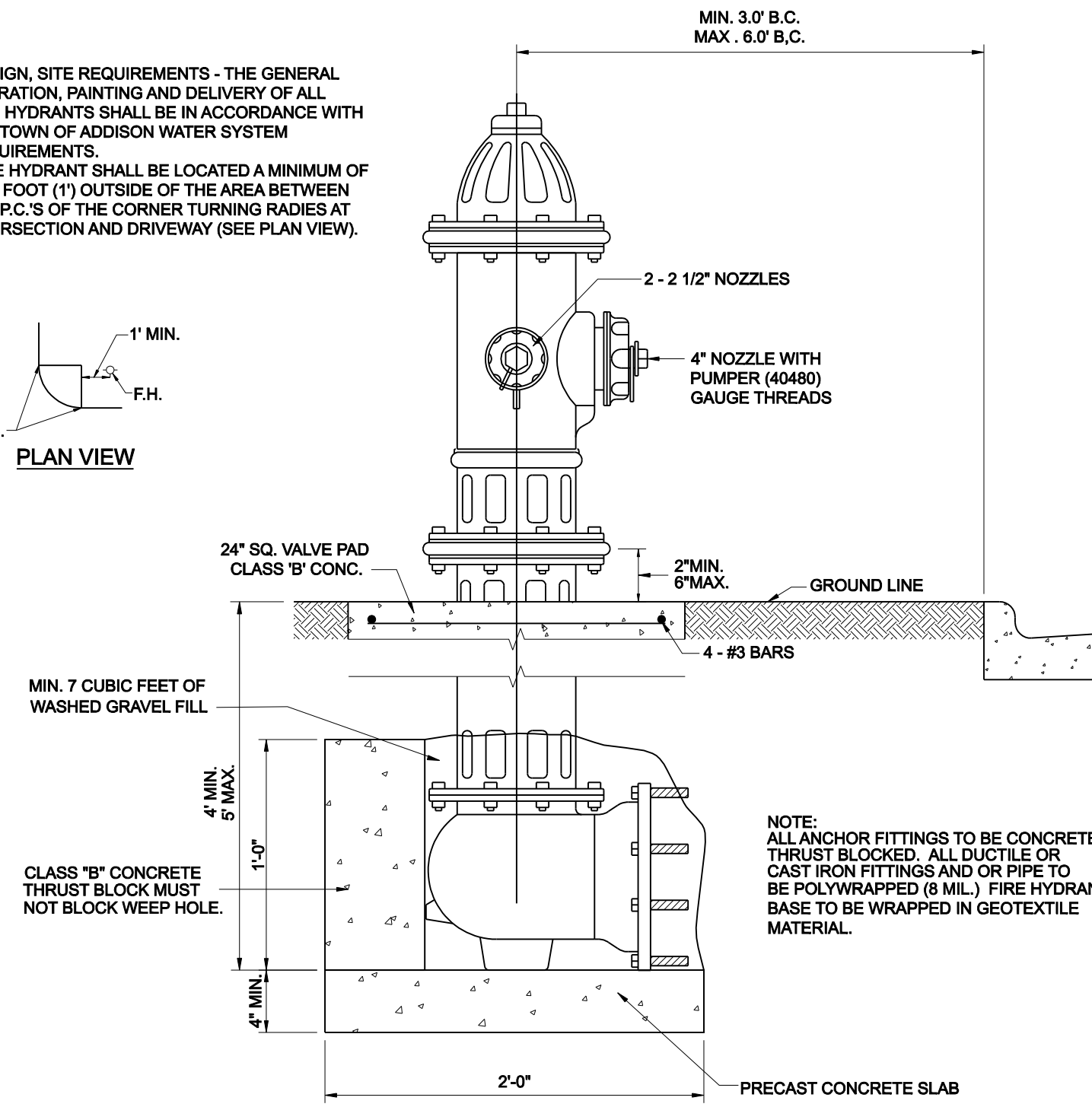
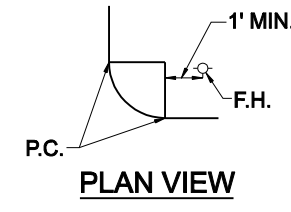
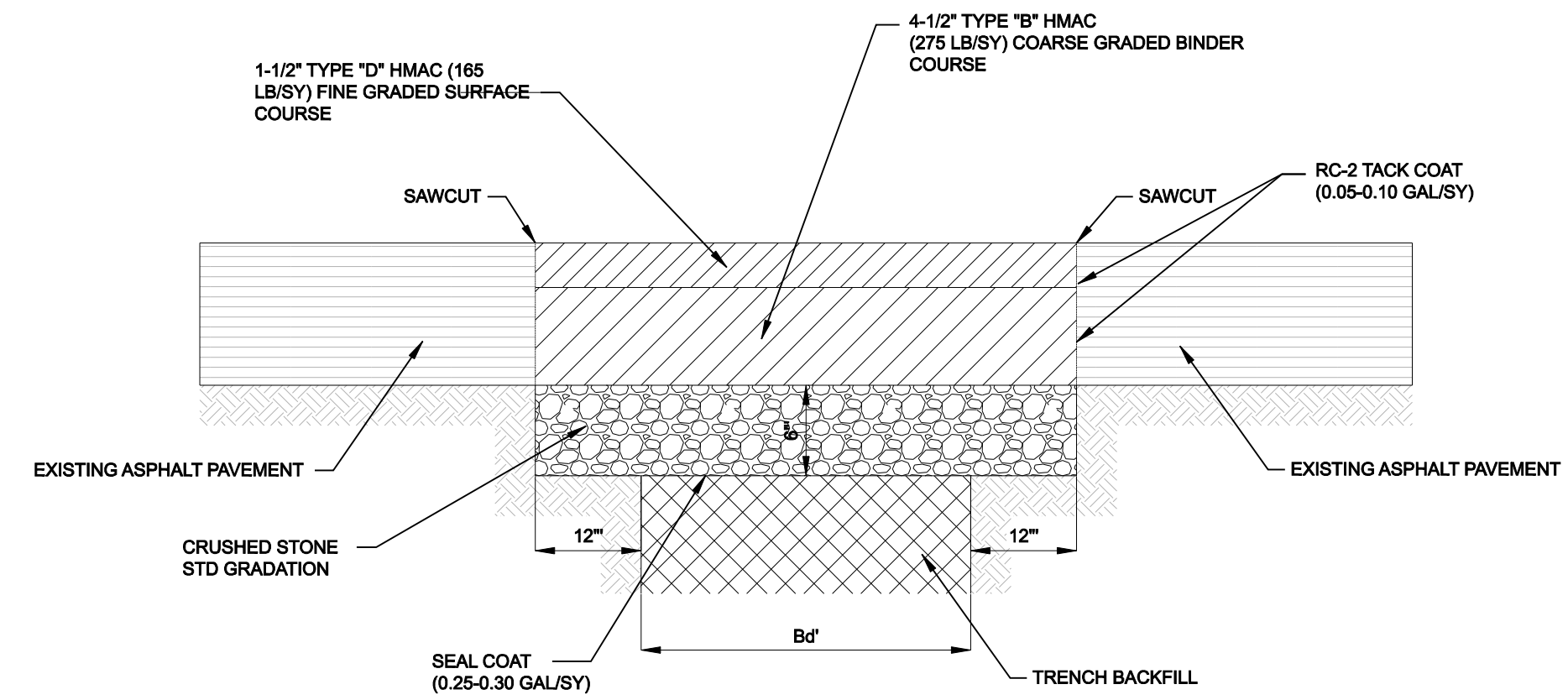


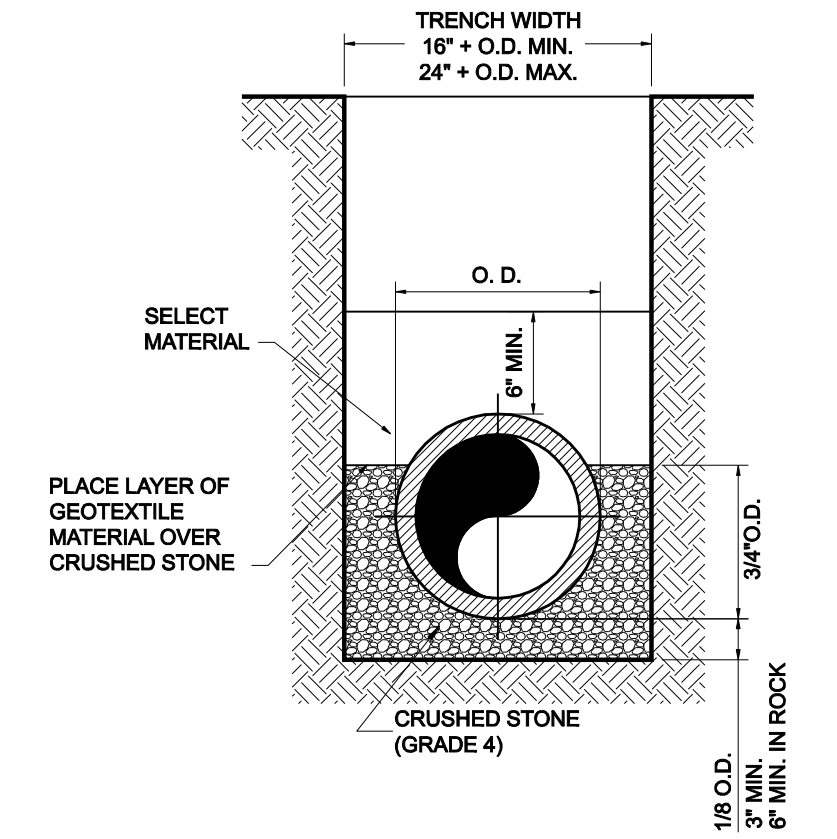
NOTE:
 1. DESIGN, SITE REQUIREMENTS - THE GENERAL OPERATION, PAINTING AND DELIVERY OF ALL FIRE HYDRANTS SHALL BE IN ACCORDANCE WITH THE TOWN OF ADDISON WATER SYSTEM REQUIREMENTS.
 2. FIRE HYDRANT SHALL BE LOCATED A MINIMUM OF ONE FOOT (1') OUTSIDE OF THE AREA BETWEEN THE P.C.'S OF THE CORNER TURNING RADIES AT INTERSECTION AND DRIVEWAY (SEE PLAN VIEW).



TYPICAL FIRE HYDRANT INSTALLATION



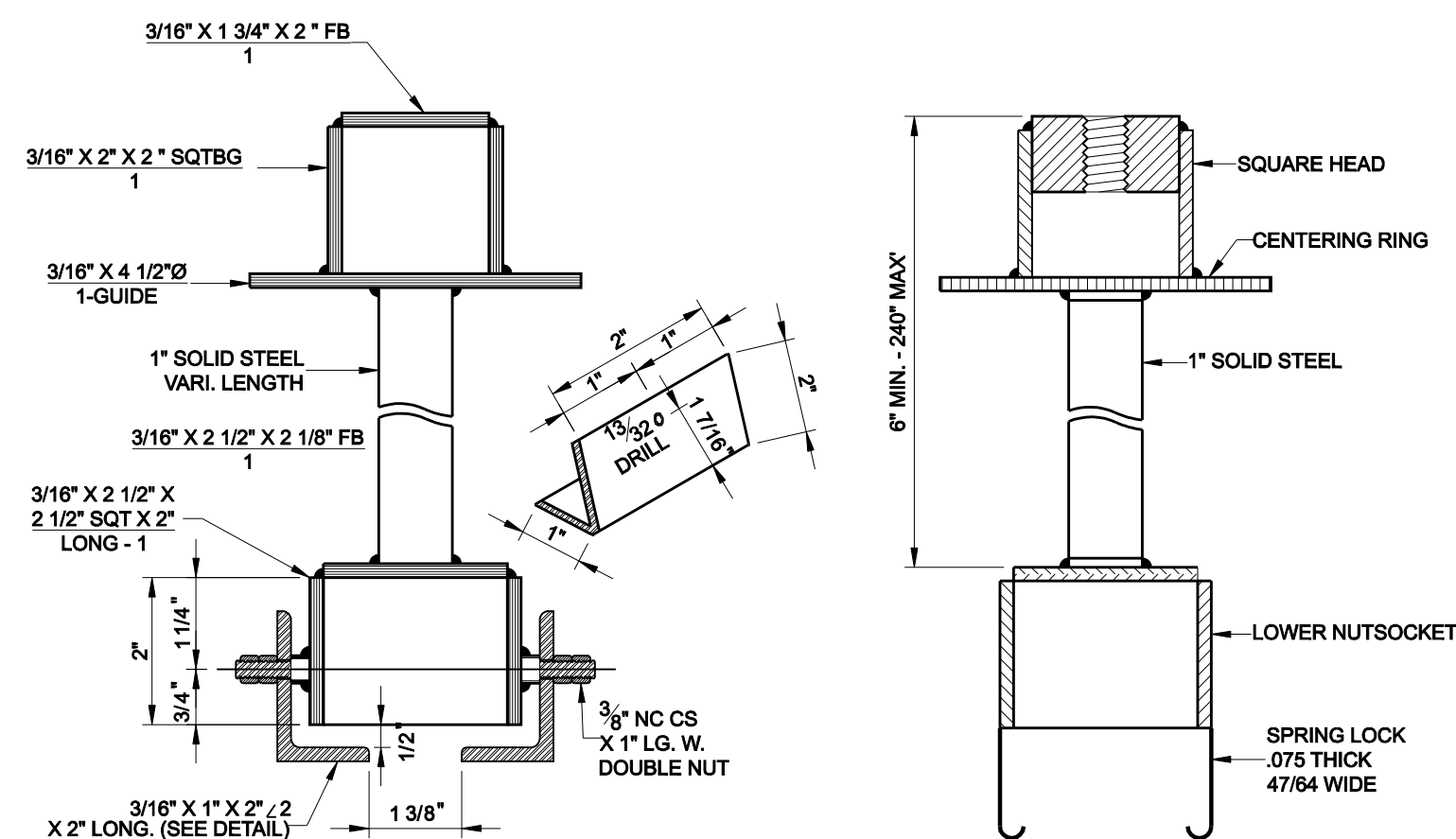
SHORT TERM ASPHALT PAVEMENT REPAIR FOR OPEN CUT TRENCHING



CRUSHED STONE SHALL BE 3/4", PASSING # 4 SIEVE

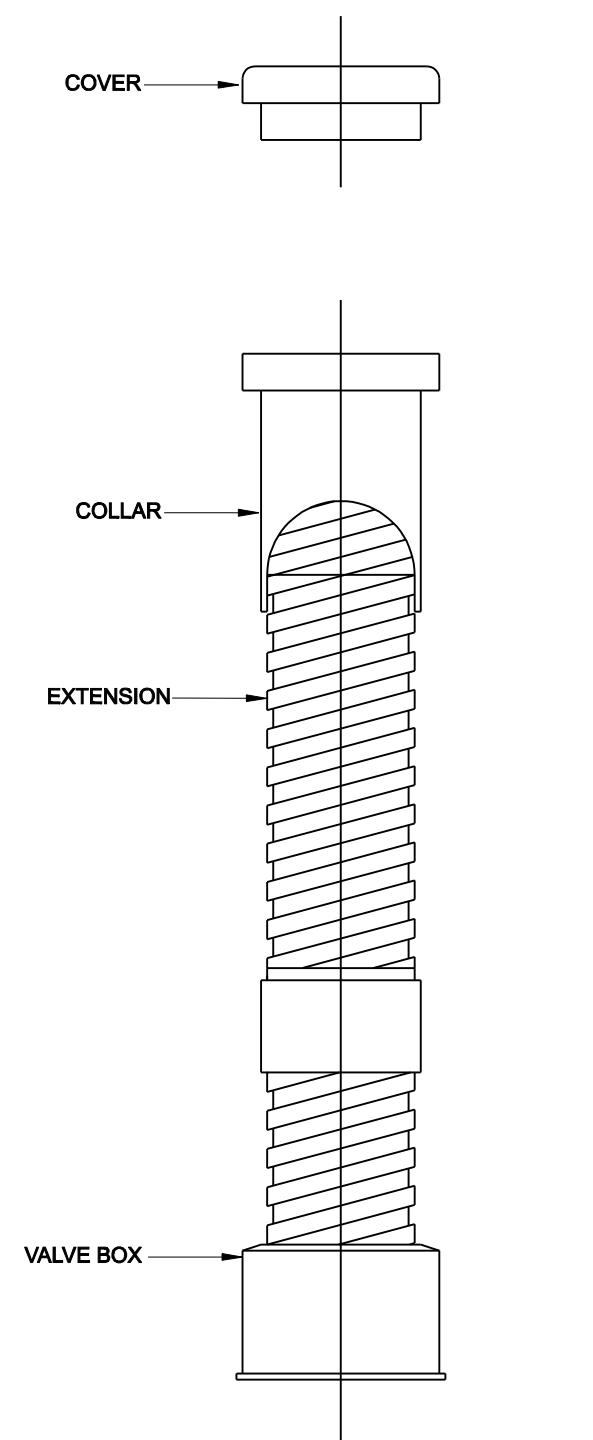
CLASS "B+" EMBEDMENT

TYPICAL BACKFILL WATER MAIN P.V.C. WATER PIPE



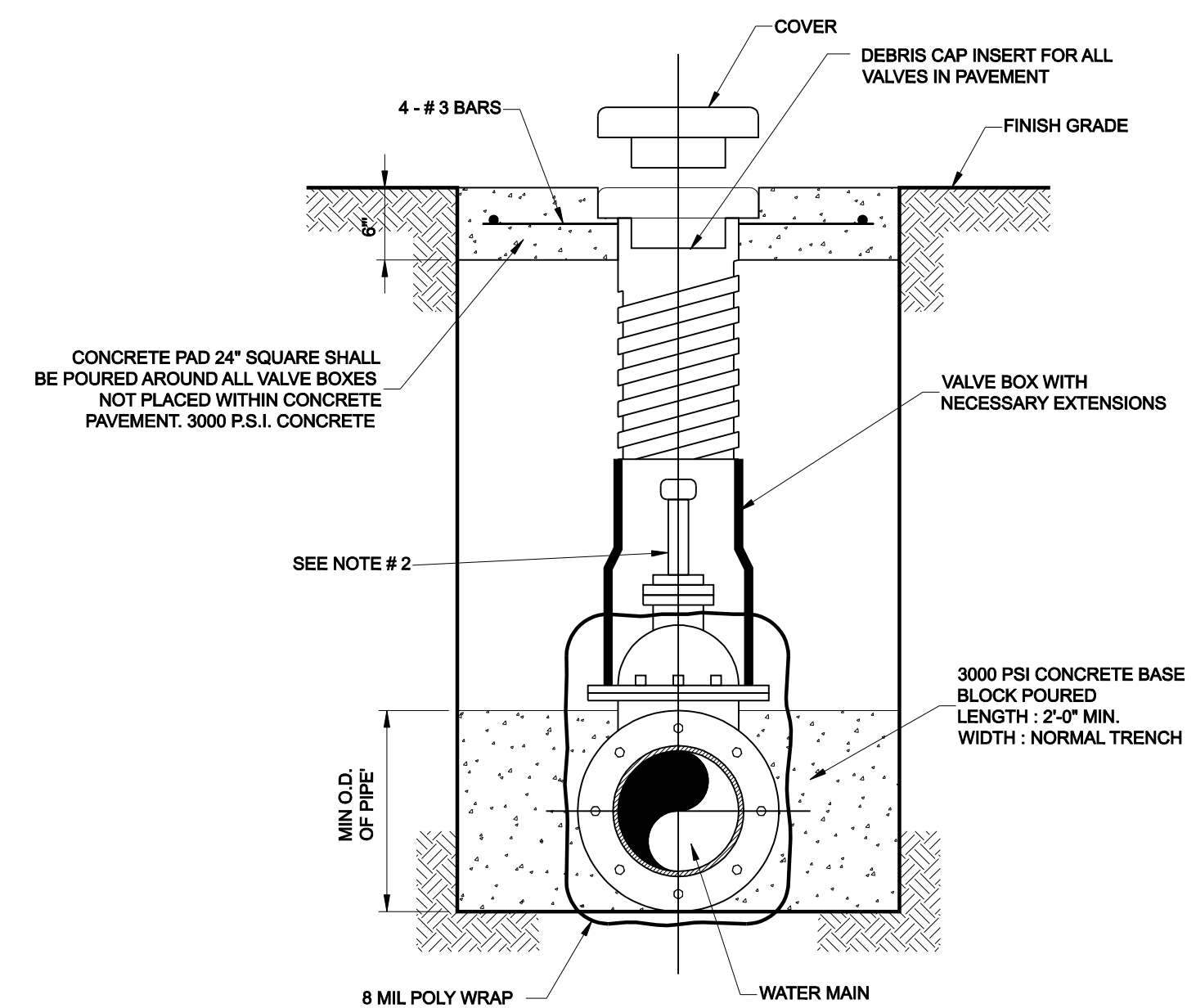
TYPE - B VALVE EXTENSION

SPRING LOCK VALVE EXTENSION



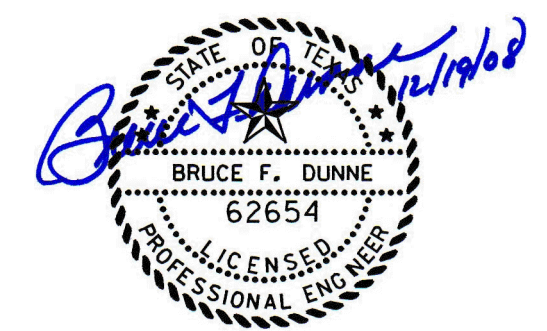
VALVE BOX WITH EXTENSION

ALL CAST IRON FITTINGS SHALL BE DOMESTIC.



TYPICAL VALVE SETTING & BOX

NOTE:
 1. 4"-12" R.S. GATE VALVES SHALL BE IN ACCORDANCE WITH TOWN OF ADDISON WATER SYSTEM REQUIREMENTS
 2. A PERMANENTLY ATTACHED VALVE EXTENSION STEM SHALL BE REQUIRED FOR ANY VALVE THATS OPERATING NUT IS LOCATED IN EXCESS OF 5 FEET BELOW THE TOP OF VALVE BOX. THIS EXTENSION SHALL BE OF SUFFICIENT LENGTH TO INSURE THAT ITS TOP IS WITHIN 6 FEET OF VALVE BOX LID.
 3. BLUE DOT (3") ON NEAREST CURB FACE TO VALVE.
 4. ALL IRON MATERIALS SHALL BE DOMESTIC.



NO.	REVISION	BY	DATE

Addison! TOWN OF ADDISON
 DALLAS COUNTY, TEXAS

WATER, SANITARY SEWER & STORM DRAIN
 BROOKHAVEN CLUB DR, PONTE AVE & VITRUVIAN PARK

WATER DETAILS

PROJECT	DESIGN	DRAWN	DATE	FILE	SHEET
5029-01	JAM	SAM	OCT 14, 2008	PW #2008-009	8

WATER, SANITARY SEWER, & STORM DRAIN IMPROVEMENTS - BROOKHAVEN CLUB DRIVE, PONTE AVENUE & VITRUVIAN PARK