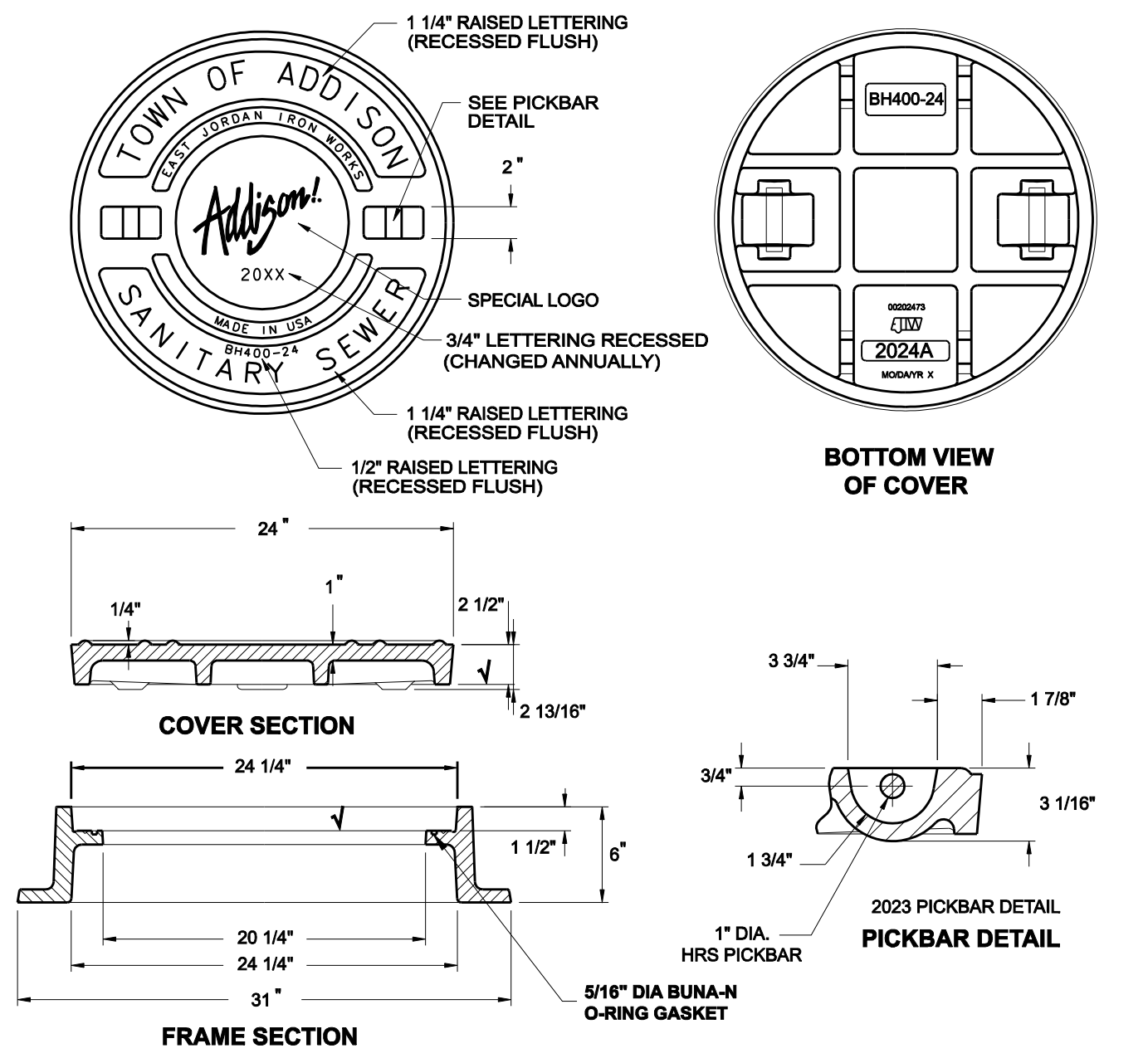


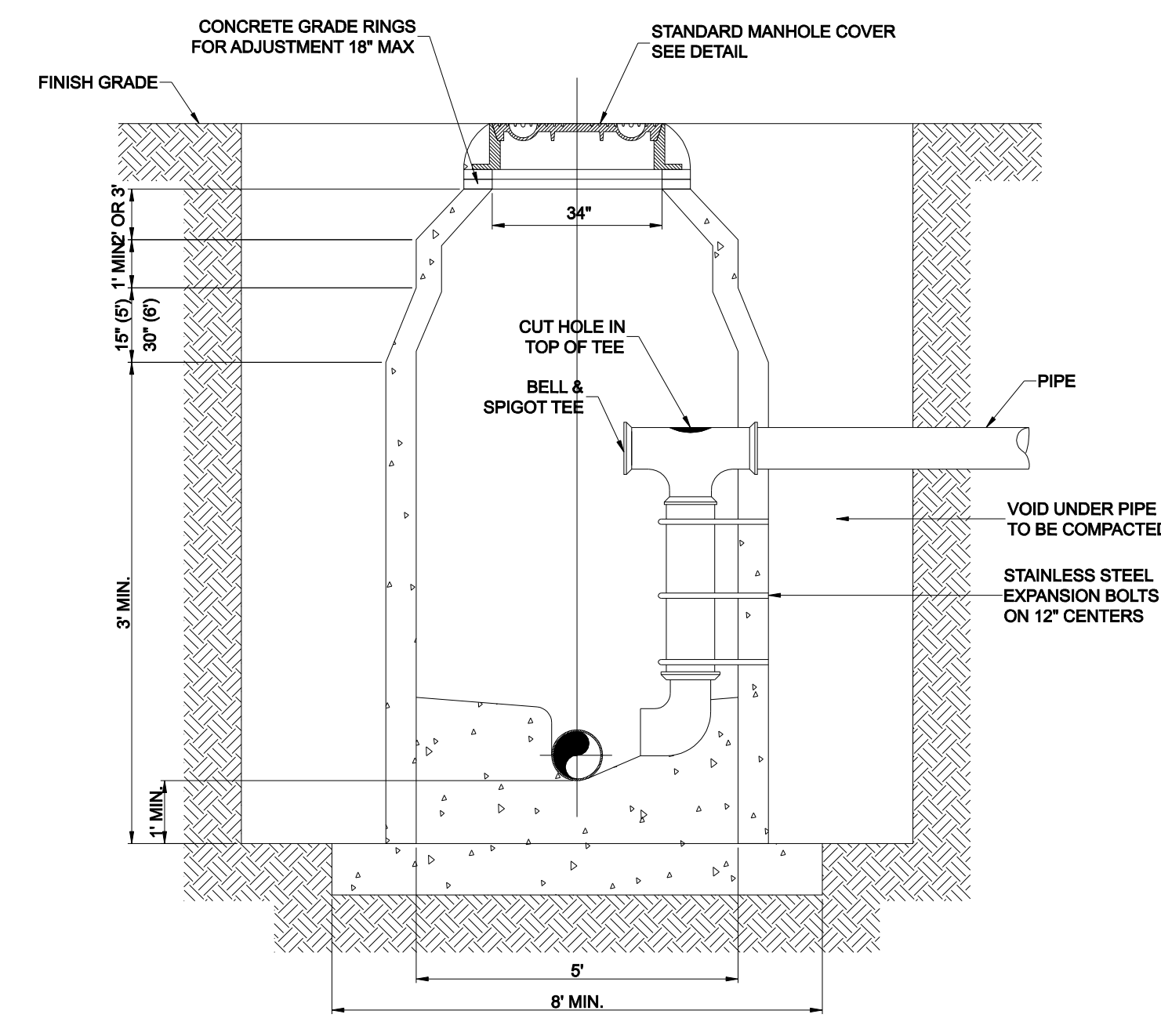
ACCESS DEVICE



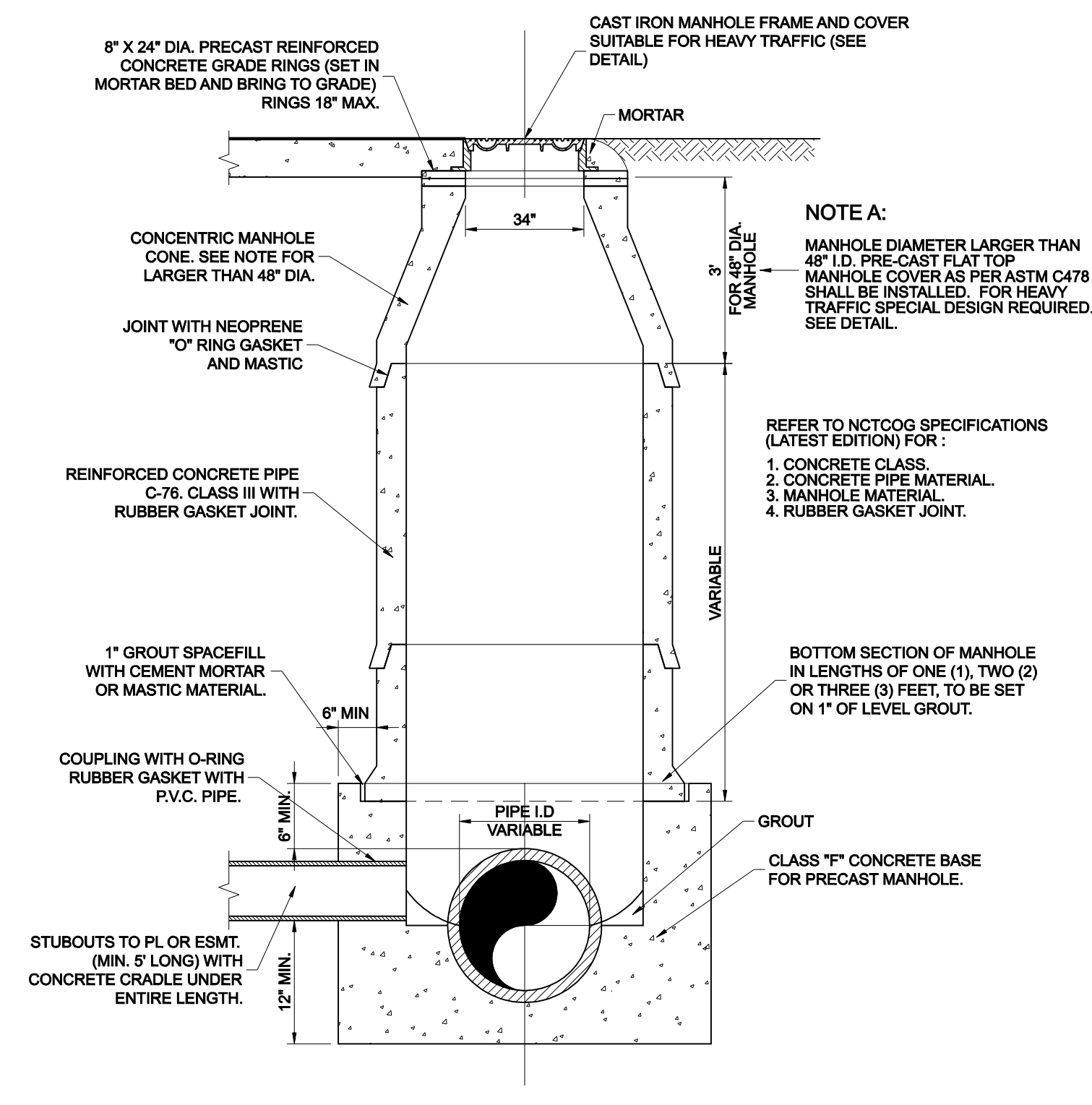
LOAD RATING	COATING	ESTIMATED WEIGHT	MATERIAL SPECIFICATION
HEAVY DUTY	DIPPED	COVER: 190 LBS 86 kg	COVER - GRAY IRON ASTM A48 CL35B

✓ DESIGNATES MACHINE SURFACE

CAST IRON FRAME AND COVER



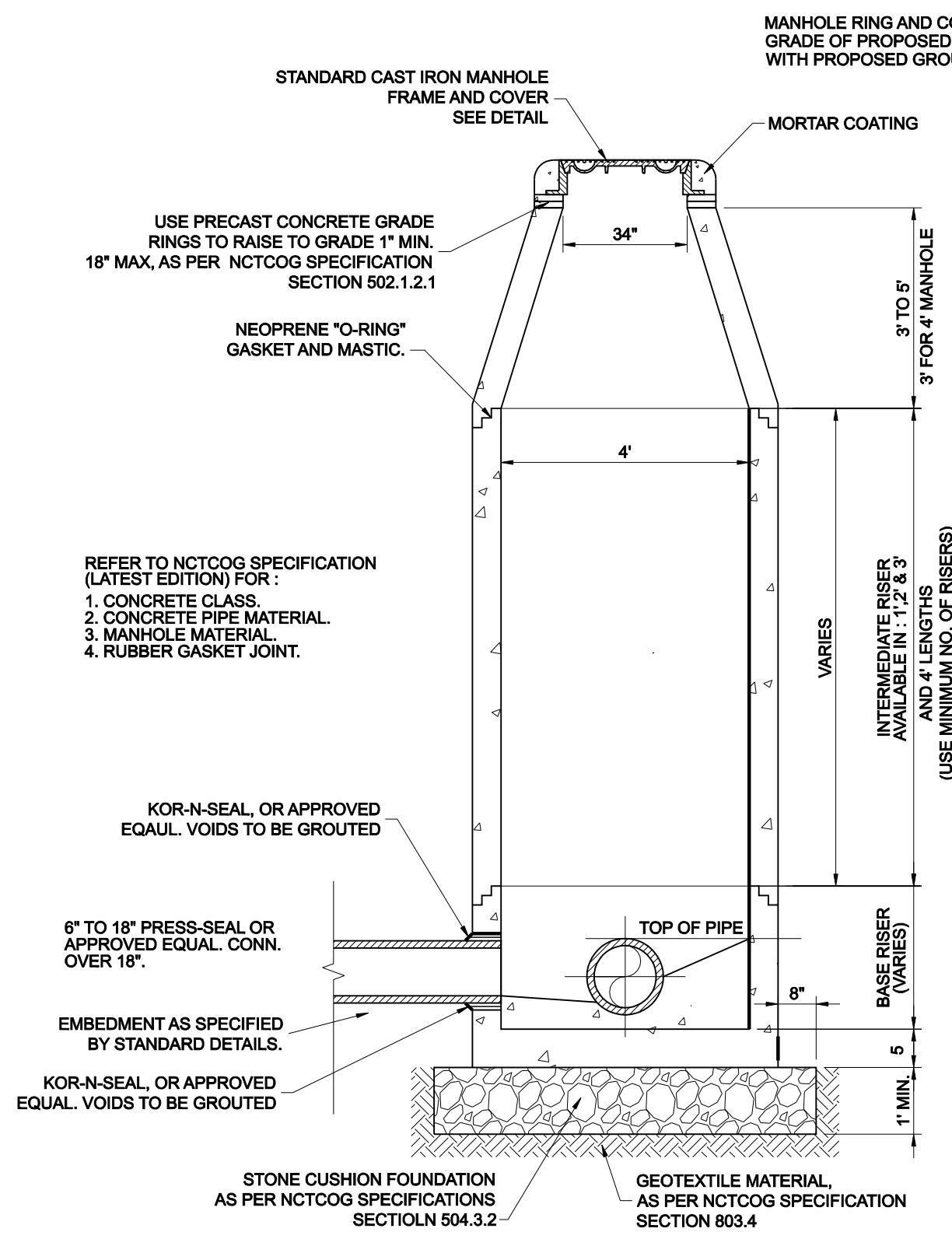
INTERIOR DROP MANHOLE DETAIL



PRECAST CONCRETE PIPE MANHOLE ALTERNATE "A"

NOTE: IF FALSE MANHOLE BOTTOMS ARE REQUIRED, THEY SHALL BE CONSTRUCTED, INSTALLED AND REMOVED.

ALL MANHOLES SHALL PASS VACUUM TEST AS PER NCTCOG SPECIFICATIONS



PRECAST CONCRETE MANHOLE ALTERNATE "B"

NOTE: IF FALSE MANHOLE BOTTOMS ARE REQUIRED, THEY SHALL BE CONSTRUCTED, INSTALLED AND REMOVED.

ALL MANHOLES SHALL PASS VACUUM TEST AS PER NCTCOG SPECIFICATIONS

NO.	REVISION	BY	DATE

TOWN OF ADDISON
DALLAS COUNTY, TEXAS

PAVING, DRAINAGE & UTILITY IMPROVEMENTS
VITRUVIAN WAY & PONTE AVENUE

SANITARY SEWER DETAILS

icon	Consulting Engineers, Inc. Civil Engineers - Designers - Planners	250 W. Southlake Blvd., Suite 117 Southlake, TX 76092 (817) 552-6210			
PROJECT	DESIGN	DRAWN	DATE	FILE	SHEET
5029-01	ICE	ICE	MAY 7 2009	PW# 2009-01	72

PAVING, DRAINAGE, & UTILITY IMPROVEMENTS - VITRUVIAN WAY & PONTE AVENUE