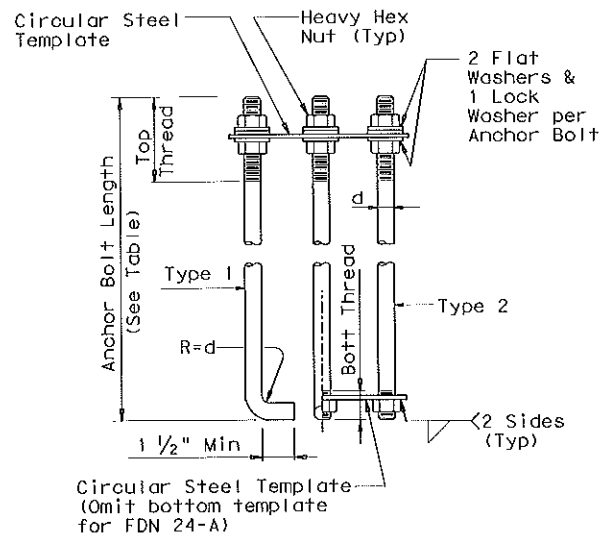


FDN TYPE	DRILLED SHAFT DIA	REINFORCING STEEL		DRILLED SHAFT LENGTH-ft (4), (5), (6)			ANCHOR BOLT DESIGN (1)				FOUNDATION DESIGN LOAD (2)		TYPICAL APPLICATION
		VERT BARS	SPIRAL & PITCH	TEXAS CONE PENETROMETER N blows/ft			ANCHOR BOLT DIA	F _y (ksi)	BOLT CIR DIA	ANCHOR TYPE	MOMENT K-ft	SHEAR Kips	
				10	15	40							
24-A	24"	4-# 5	#2 at 12"	5.7	5.3	4.5	3/4"	36	12 3/4"	1	10	1	Pedestal pole, pedestal mounted controller.
30-A	30"	8-# 9	#3 at 6"	11.3	10.3	8.0	1 1/2"	55	17"	2	87	3	Mast arm assembly. (see Selection Table)
36-A	36"	10-# 9	#3 at 6"	13.2	12.0	9.4	1 3/4"	55	19"	2	131	5	Mast arm assembly. (see Selection Table) 30' strain pole with or without luminaire.
36-B	36"	12-# 9	#3 at 6"	15.2	13.6	10.4	2"	55	21"	2	190	7	Mast arm assembly. (see Selection Table) Strain pole taller than 30' & strain pole with mast arm
42-A	42"	14-# 9	#3 at 6"	17.4	15.6	11.9	2 1/4"	55	23"	2	271	9	Mast arm assembly. (see Selection Table)

FOUNDATION SELECTION TABLE FOR STANDARD MAST ARM PLUS ILSN SUPPORT ASSEMBLIES (ft)					
WIND SPEED	MAX SINGLE ARM LENGTH	FDN 30-A	FDN 36-A	FDN 36-B	FDN 42-A
		80 MPH DESIGN WIND SPEED		32' Δ	48'
80 MPH DESIGN WIND SPEED	MAXIMUM DOUBLE ARM LENGTH COMBINATIONS	24' X 24'			
		28' X 28'			
		32' X 28'			
			32' X 32'		
			36' X 36'		
100 MPH DESIGN WIND SPEED	MAXIMUM DOUBLE ARM LENGTH COMBINATIONS		40' X 36'		
			44' X 28'	44' X 36'	
			36'	44'	
			24' X 24'		
			28' X 28'		
100 MPH DESIGN WIND SPEED	MAXIMUM DOUBLE ARM LENGTH COMBINATIONS		32' X 24'		
				32' X 32'	
				36' X 36'	
				40' X 24'	40' X 36'
					44' X 36'

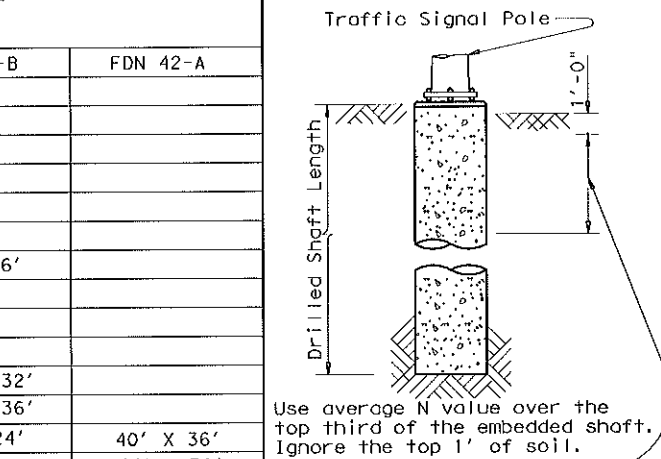
- EXAMPLE:
- For 80mph design wind speed, foundation 30-A can support up to a 32' arm with another arm up to 28'
 - For 100mph design wind speed, foundation 36-A can support a single 36' mast arm.



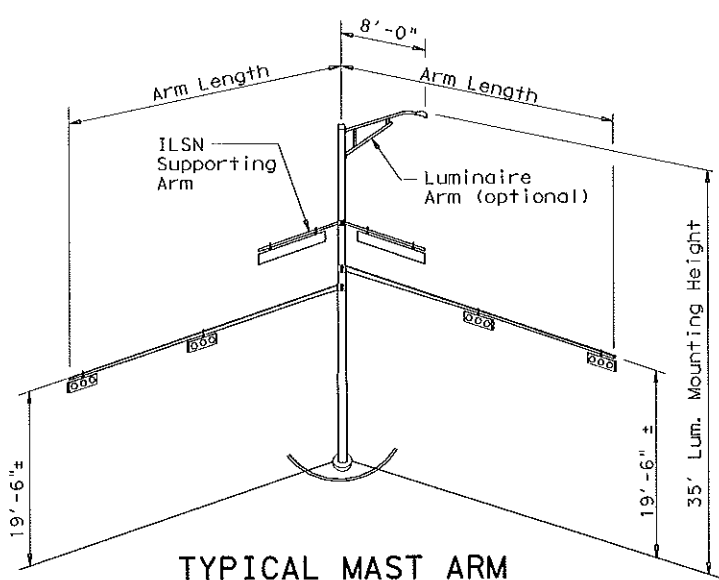
HOOKED ANCHOR (TYPE 1) NUT ANCHOR (TYPE 2)
ANCHOR BOLT ASSEMBLY

INSTALLATION PROCEDURE:

Threads of anchor bolts shall be coated with pipe joint compound prior to installation of upper nuts when erecting pole. After pole is plumbed and in permanent alignment, the exposed threads of pointed bolts shall be cleaned and an additional coating of zinc-rich paint applied to seal the bolt thread-nut joint.



TYPICAL STRAIN POLE ASSEMBLY



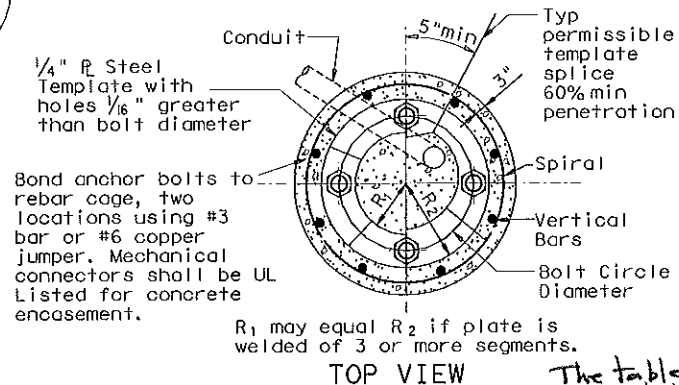
TYPICAL MAST ARM ASSEMBLY

NOTES:

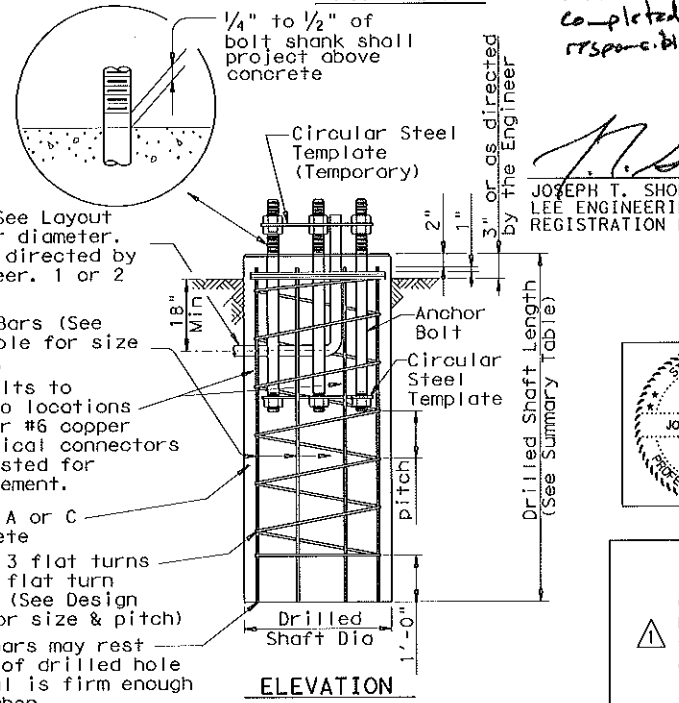
- Anchor bolt design develops the foundation capacity given under Foundation Design Loads.
- Foundation Design Loads are the allowable moments and shears at the base of the structure.
- Foundations may be listed separately or grouped according to similarity of location and type. Quantities are for the Contractor's information only.
- Field Penetrometer readings at a depth of approximately 3 to 5 feet may be used to adjust shaft lengths.
- If rock is encountered, the Drilled Shaft shall extend a minimum of two diameters into solid rock.
- Decimal lengths in Design Table are to allow interpolation for other penetrometer values. Round to nearest foot for entry into Summary Table.

ANCHOR BOLT & TEMPLATE SIZES						
BOLT DIA IN.	BOLT LENGTH	TOP THREAD	BOTT THREAD	BOLT CIRCLE	R ₂	R ₁
3/4"	1'-6"	3"	—	12 3/4"	7 1/8"	5 5/8"
1 1/2"	3'-4"	6"	2"	17"	10"	7"
1 3/4"	3'-10"	7"	2 1/4"	19"	11 1/4"	7 3/4"
2"	4'-3"	8"	2 1/2"	21"	12 1/2"	8 1/2"
2 1/4"	4'-9"	9"	3"	23"	13 3/4"	9 1/4"

(7) Min dimensions given, longer bolts are acceptable.



TOP VIEW



ELEVATION FOUNDATION DETAILS

FOUNDATION SUMMARY TABLE (3)									
LOCATION IDENTIFICATION	AVG. N BLOW /ft.	FDN TYPE	NO. EA	DRILLED SHAFT LENGTH (6) (FEET)					
				24-A	30-A	36-A	36-B	42-A	
VITRUVIAN WAY AT PONTE AVENUE									
P-1	10	36-A	1			13			
P-2	10	30-A	1		11				
P-3	10	36-A	1			13			
P-3	10	36-A	1			13			
VITRUVIAN WAY AT MARSH LANE									
P-2	10	24-A	1	6					
TOTAL DRILLED SHAFT LENGTHS				6	11	39			

GENERAL NOTES.

Design conforms to 1994 AASHTO Standard Specifications for Structural Supports for Highway Signs, Luminaires and Traffic Signals and interim revisions thereto. Reinforcing steel shall conform to Item 440. Concrete shall be Class A or C. Threads for anchor bolts and nuts shall be rolled or cut threads of unified national coarse thread series except for A193B7 bolts which shall have 8 pitch thread series. Bolts and nuts shall have Class 2A and 2B fit tolerances. Galvanized nuts shall be tapped after galvanizing. Anchor bolts that are 1" in diameter or less shall conform to ASTM A36. Anchor bolts larger than 1" in diameter shall conform to A36M55 in accordance with the Item, "Anchor Bolts" or ASTM A193B7 or A687. Galvanize or coat with zinc-rich paint a minimum of the upper 14 inches of all anchor bolts unless otherwise noted. Exposed nuts shall be galvanized or coated with zinc-rich paint. Washers shall be galvanized. Templates and embedded nuts need not be galvanized.

The table above was completed under my responsible supervision

4/28/09
DATE

JOSEPH T. SHORT, P.E.
LEE ENGINEERING, L.L.C.,
REGISTRATION NO. F-450



11/99 Revision

Changed to Facilitate new terminal strip enclosure

Changed from ground rod to UFER ground

STANDARD PLANS
Texas Department of Transportation
Traffic Operations Division

TRAFFIC SIGNAL POLE FOUNDATION

TS-FD-99

REVISED	DATE	BY	REASON	FEDERAL AID PROJECT	SHEET
5-96	DAL	6			TS14
11-99					
COUNTY	CONTROL	SECTION	JOB	HIGHWAY	
DALLAS				VITRUVIAN	