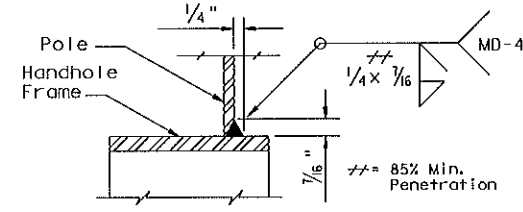
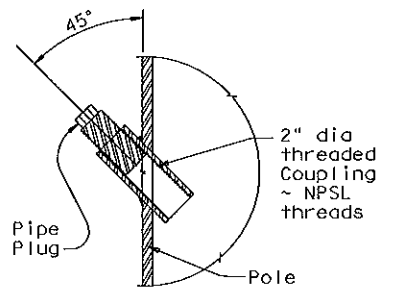


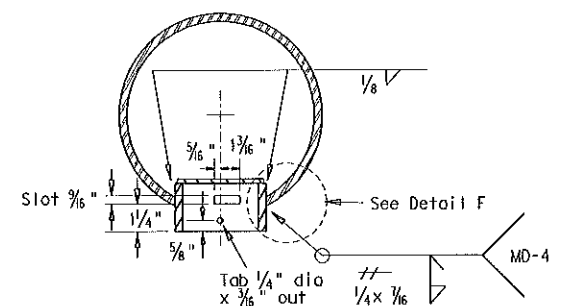
DETAIL A
(for pole with luminaire)



DETAIL E

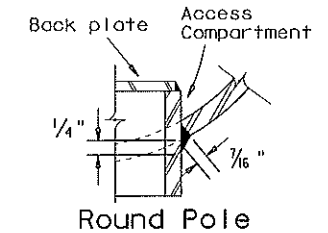


COUPLING DETAIL

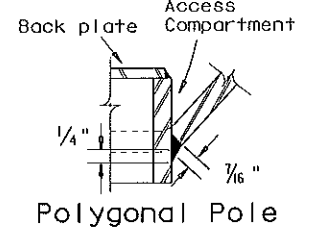


SECTION C-C

Opening for access compartment shall be no more than 1/16 inch wider than the access compartment itself.

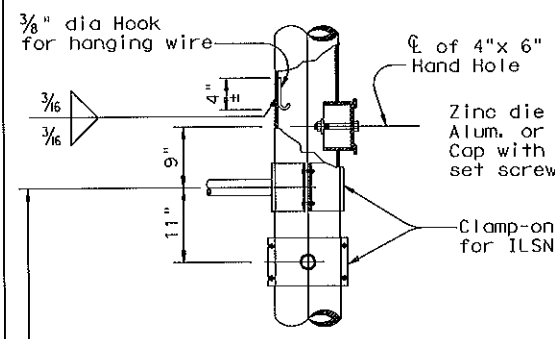


Round Pole

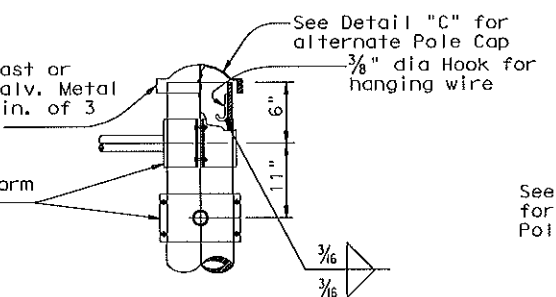


Polygonal Pole

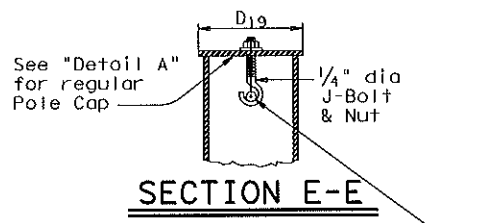
DETAIL F



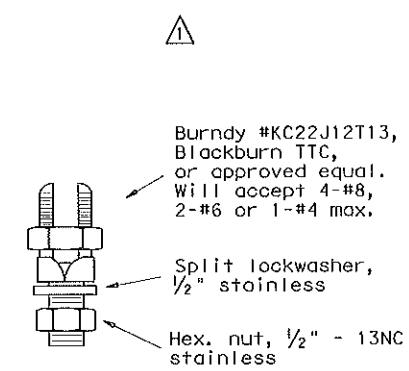
DETAIL J
(If ILSN applied)



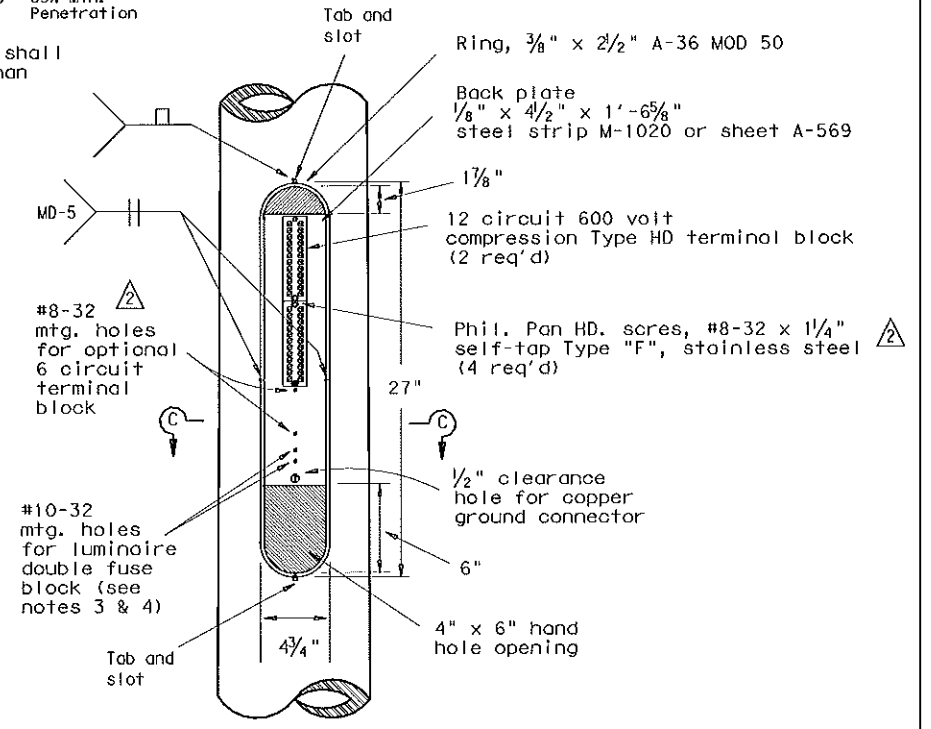
DETAIL K



SECTION E-E

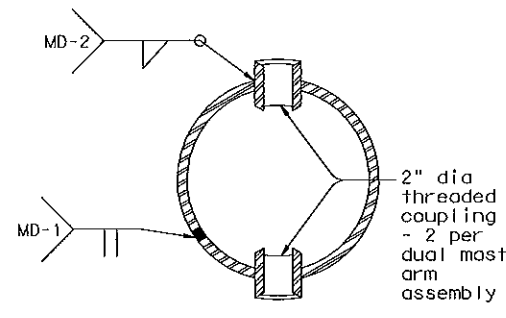


COPPER GROUND CONNECTOR

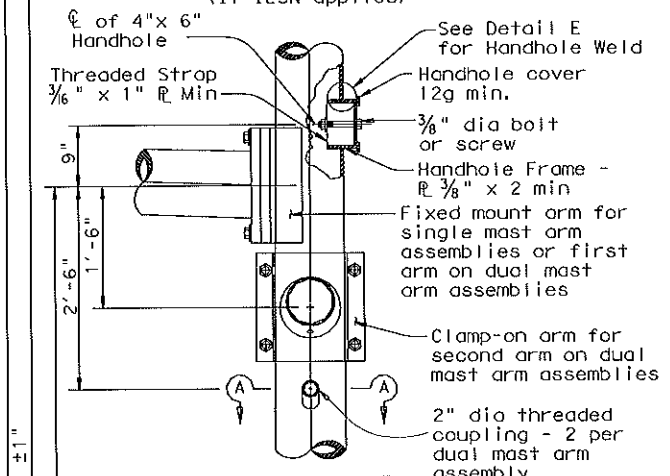


ACCESS COMPARTMENT

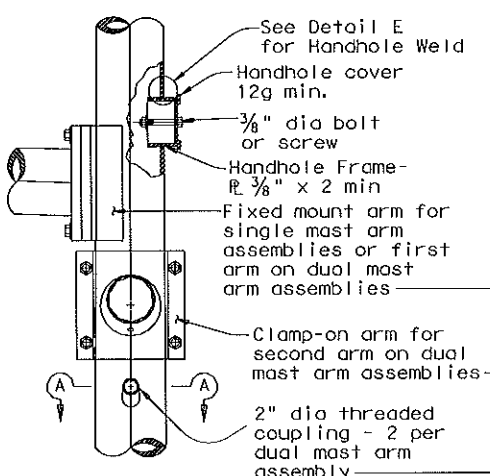
- The cover shall be one piece formed from ABS plastic, shall be a pearl gray color, and shall be suitable for exposure to harsh sunlight and extreme weather. Cover shall latch with two screw latches and shall fit tightly to the enclosure ring to create a rainproof seal. Latch screws shall be 1/4-20 stainless flat socket head screws with tamper proof feature.
- The pole manufacturer shall provide with each pole a separate kit consisting of: one cover with two latching assemblies, two terminal strips (Marathon #985GP12CU or approved equal), four #8-32 x 1/4" self tapping type "F" stainless steel pan head screws, and one ground connector (Blackburn TTC, Burndy KC22J12T13, or Ilco SSS-5). The traffic signal contractor shall install the kit items in the field.
- The screw hole spacing on the enclosure back plate shall be for two Marathon #985GP12 terminal strips, one Marathon #985GP06CU terminal strip, and one Bussmann #BM6032B fuse block.
- Install one Bussmann #BM6032B, Littelfuse #L60030M-2C, or Ferraz-Shawmut #30352 fuse block for poles where luminaires are to be installed.



SECTION A-A

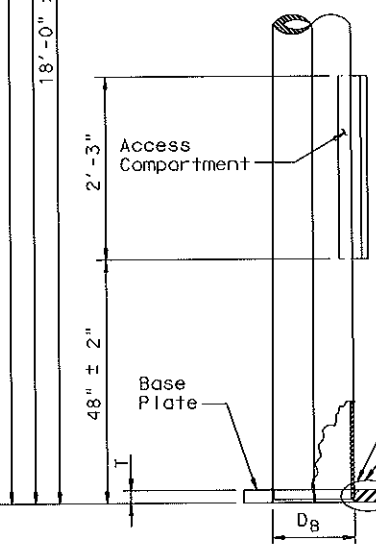


DETAIL B
(for 30' pole with luminaire and ILSN sign)

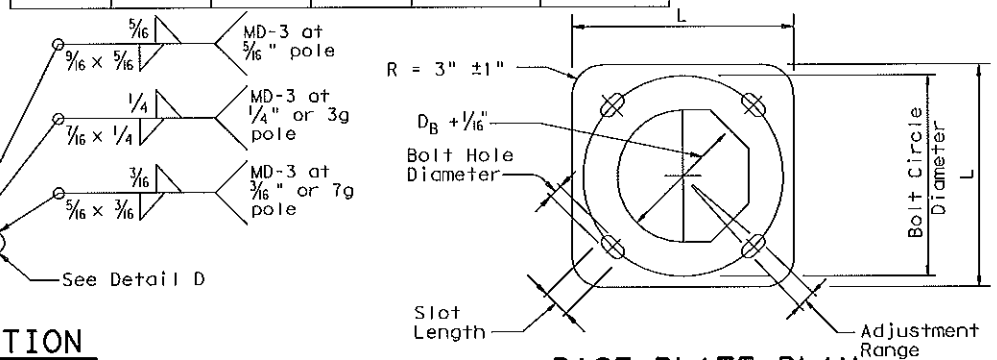


DETAIL C
(for 19' pole with no ILSN sign and no luminaire)

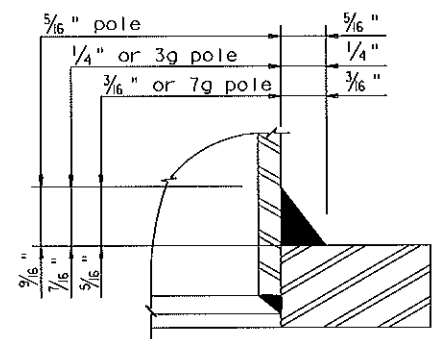
Anchor Bolt Diameter	Bolt Hole Diameter	Slot Length	Bolt Circle Diameter	Base R. Dim. L x T	Adjust. Range
1 1/2"	1 3/4"	3 1/2"	17"	18" x 1 1/2"	13.4°
1 3/4"	2"	4"	19"	20" x 1 3/4"	13.5°
2"	2 1/4"	4 1/2"	21"	22" x 2"	13.6°
2 1/4"	2 1/2"	5"	23"	24" x 2 1/4"	13.7°



POLE ELEVATION



BASE PLATE PLAN



DETAIL D

STANDARD PLANS
Texas Department of Transportation
Traffic Operations Division

TRAFFIC SIGNAL SUPPORT STRUCTURES MAST ARM POLE DETAILS

MA-D-07 (DAL)

- 10/03 Revision Revised notes, and remove detail.
- 2/07 Revision Revised dimension of terminal-block screw.

REVISED	DATE	BY	CHKD	APP'D	PROJECT	SHEET
8-99	DAL	6			FEDERAL AID PROJECT	TS18
10-00					COUNTY	SECTION
10-03					DALLAS	
2-07						VITRUVIAN