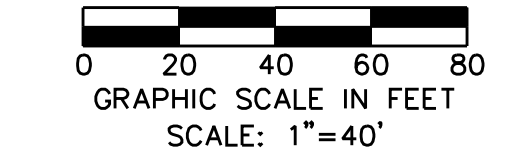
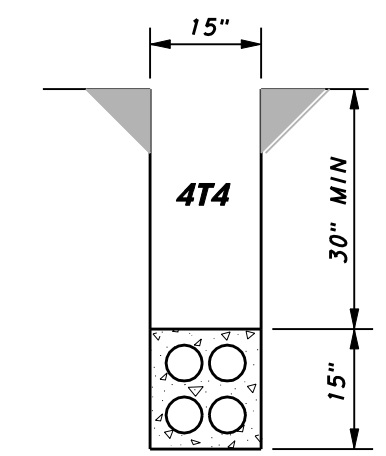
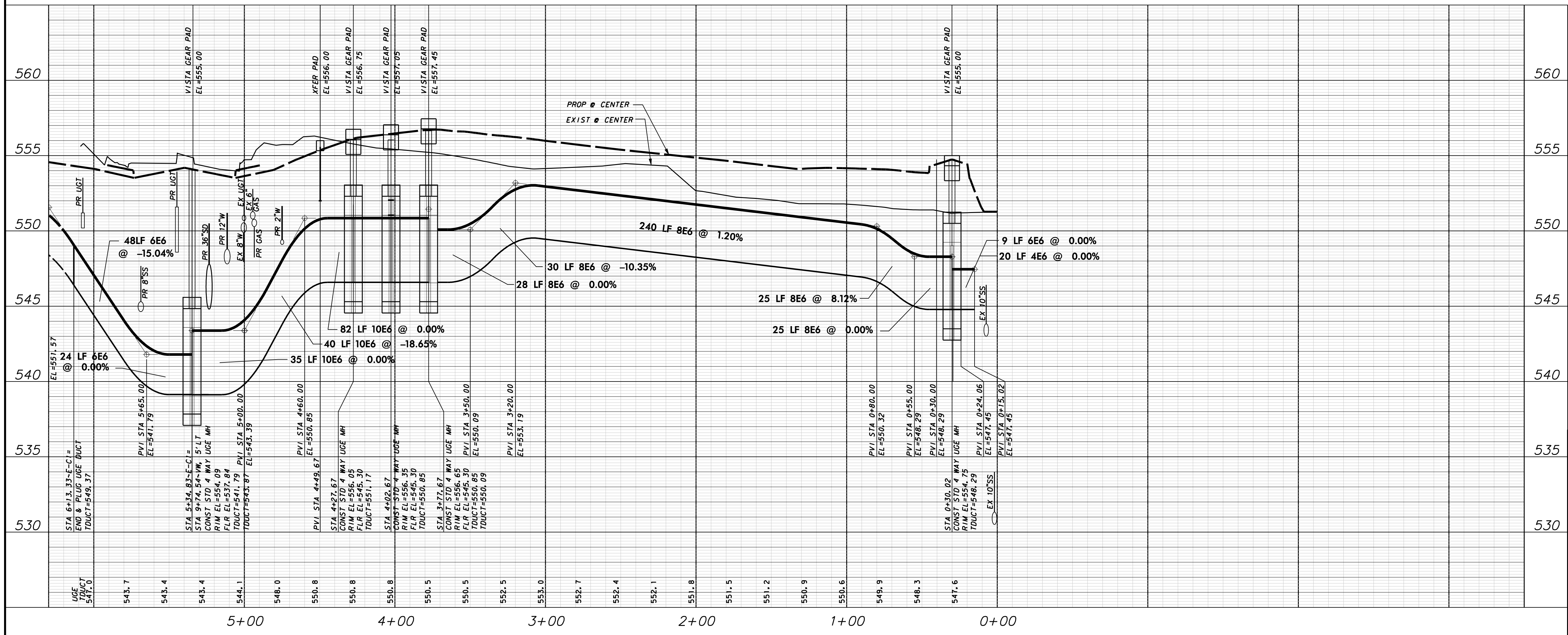
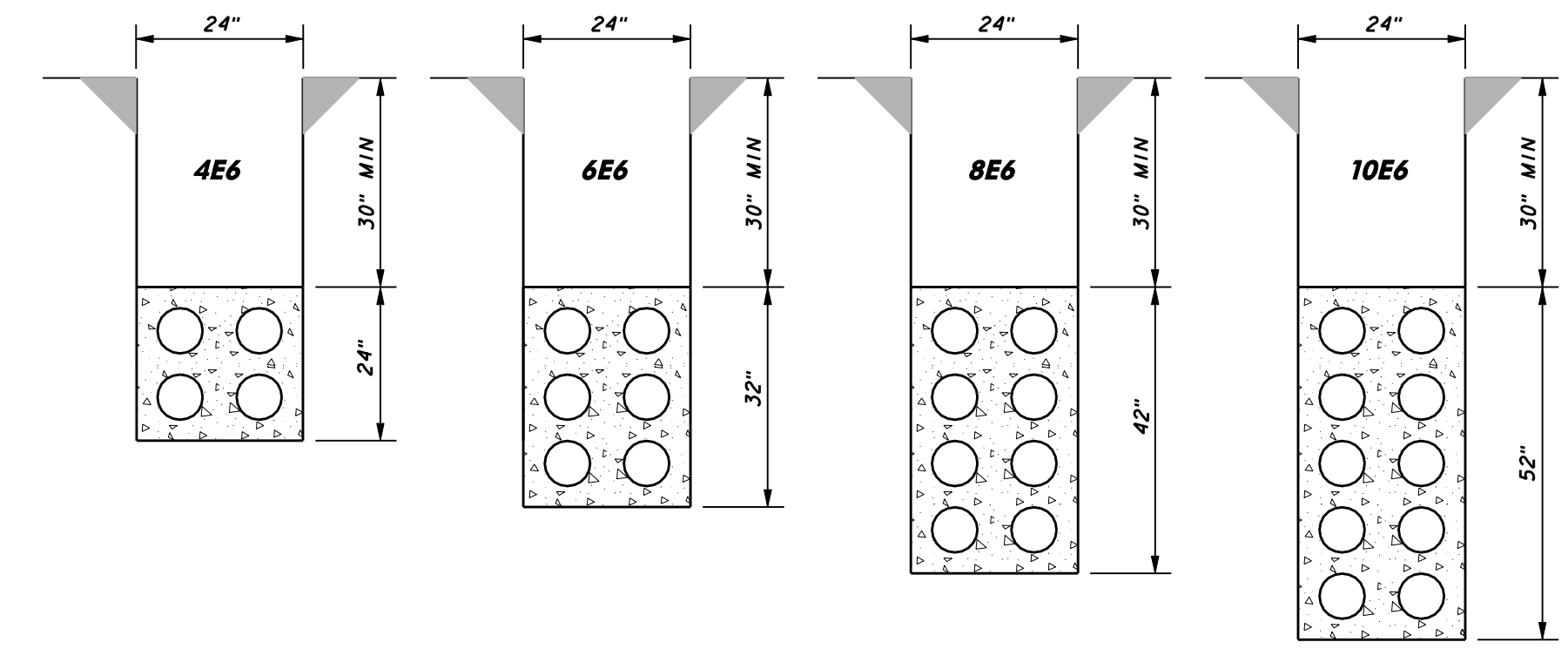


PARK ROAD CENTER LINE

CURVE DATA			
NO	DELTA	RADIUS	LENGTH
1	31° 54' 22"	200.00'	99.37'
2	48° 47' 49"	78.00'	66.43'
3	5° 21' 42"	400.00'	37.43'
4	5° 21' 42"	400.00'	37.43'



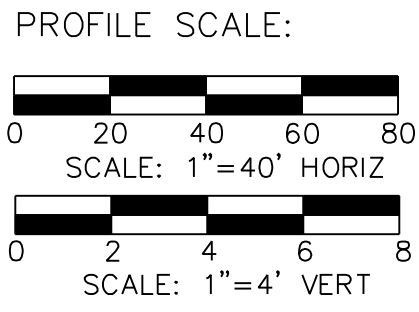
NOTE:
1. SEE OVERALL DUCT BANK PLAN LAYOUT SHEET FOR UGE AND UGT GENERAL NOTES.



WARNING
CONTRACTOR IS TO CONTACT TEXAS ONE-CALL SYSTEM (1-800-245-4545) OR OTHER UTILITY LOCATING SERVICES AT LEAST 48 HOURS PRIOR TO CONSTRUCTION ACTIVITIES. ICON CONSULTING ENGINEERS, INC. IS NOT RESPONSIBLE FOR KNOWING ALL EXISTING UTILITIES IN THE PROJECT AREA NOR FOR DEPICTING THE EXACT LOCATIONS OF UTILITIES ON THESE DRAWINGS.

BM #1 REF. ELEVATION = 559.47
SQUARE CUT IN TOP OF CURB, SOUTH MEDIAN END NOSE, MARSH LANE 1127' NORTH OF VITRUVIAN WAY.

BM #2 REF. ELEVATION = 547.84
SQUARE CUT IN TOP OF CURB, NORTH MEDIAN END NOSE, AT INTERSECTION OF VITRUVIAN WAY AND MARSH LANE.



NO.	REVISION	BY	DATE

ADDISON TOWN OF ADDISON
DALLAS COUNTY, TEXAS

PAVING, DRAINAGE & UTILITY IMPROVEMENTS
VITRUVIAN WAY & PONTE AVENUE

**DUCT BANK PLAN & PROFILE - PARK RD
LINE C-STA. 0+00.00 TO 5+35.48**

icon Consulting Engineers, Inc. 250 W. Southlake Blvd., Suite 117
Civil Engineers - Designers - Planners Southlake, Tx 76092 (817) 552-6210

PROJECT	DESIGN	DRAWN	DATE	FILE	SHEET
5029-01	ICE	ICE	MAY 7 2009	PW# 2009-01	81

PAVING, DRAINAGE, & UTILITY IMPROVEMENTS - VITRUVIAN WAY & PONTE AVENUE