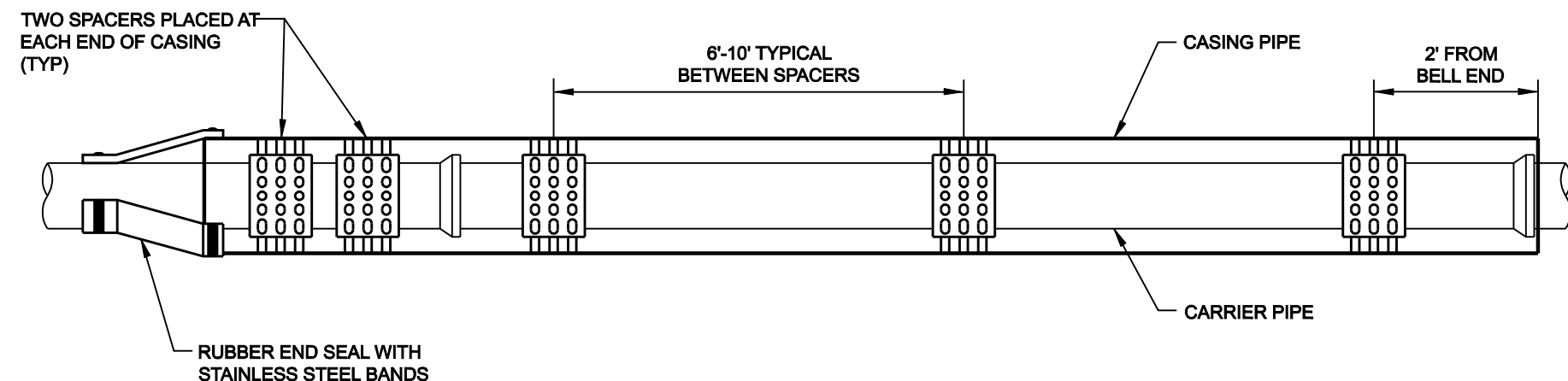
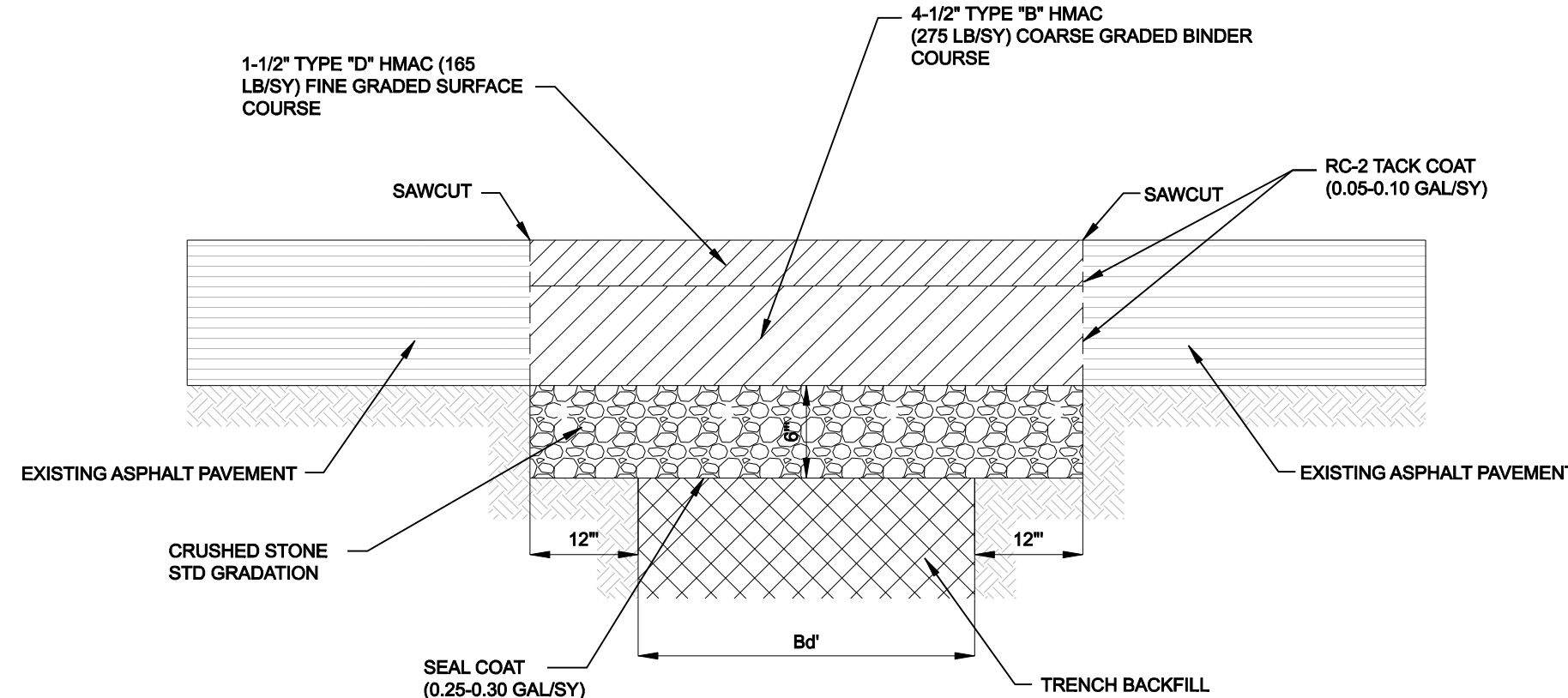


NOTES:
 (1) HIGH DENSITY POLYETHYLENE SPACERS, RAGI OR EQUAL, SHALL BE USED. WHERE NO CASING PIPE IS REQUIRED OVERCUTTING AROUND UTILITY SHALL BE FILLED WITH HYDRAULICALLY PLACED NON-SHRINK GROUT AS PER ASTM C476.
 (2) END GROUTING FOR ALL ENCASMENTS SHALL BE AS PER ASTM STANDARD C476 (1\"/>



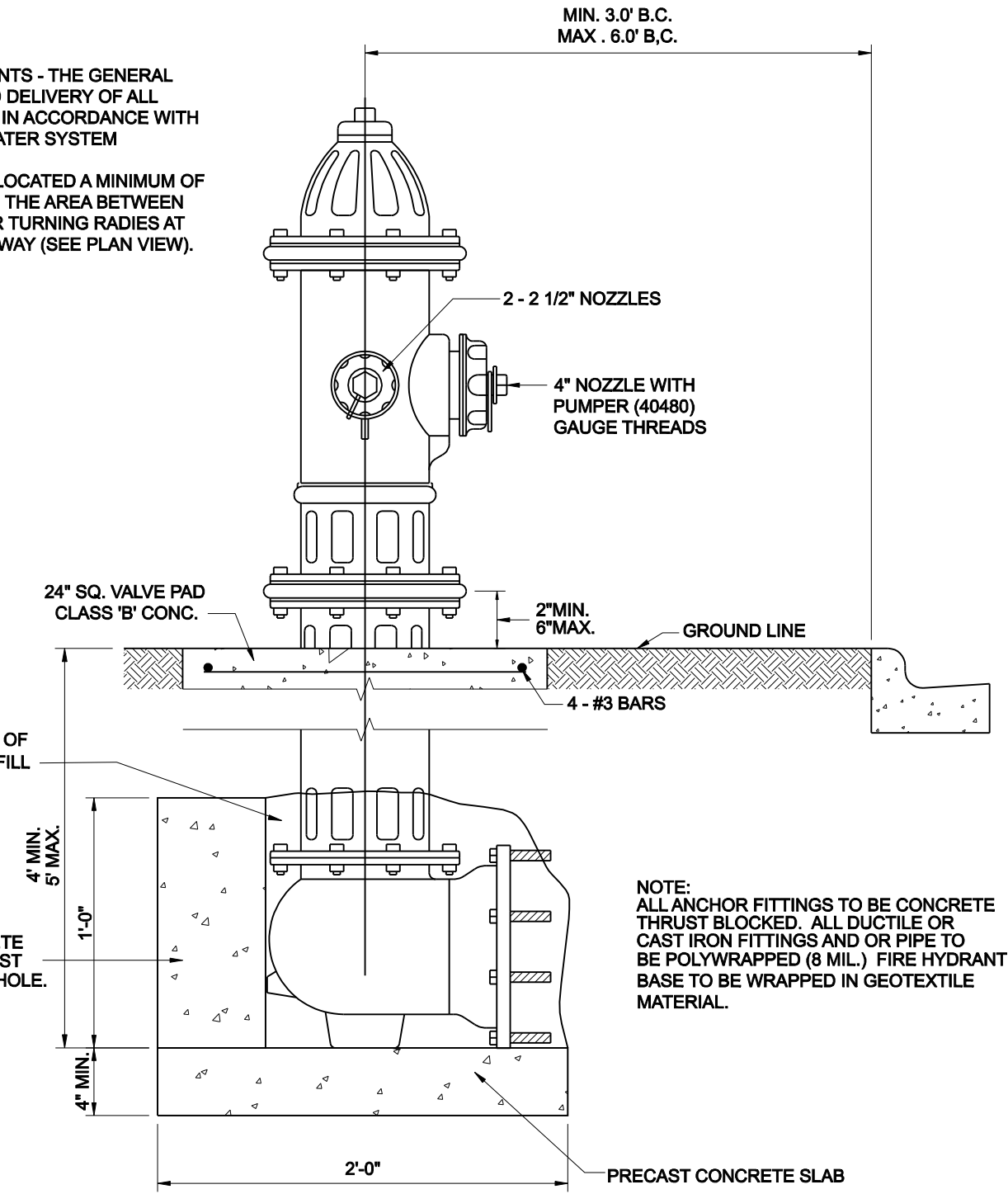
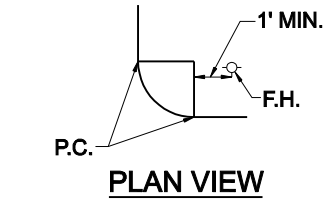
INSULATOR SPACING DETAIL

WATER MAIN ENCASMENT

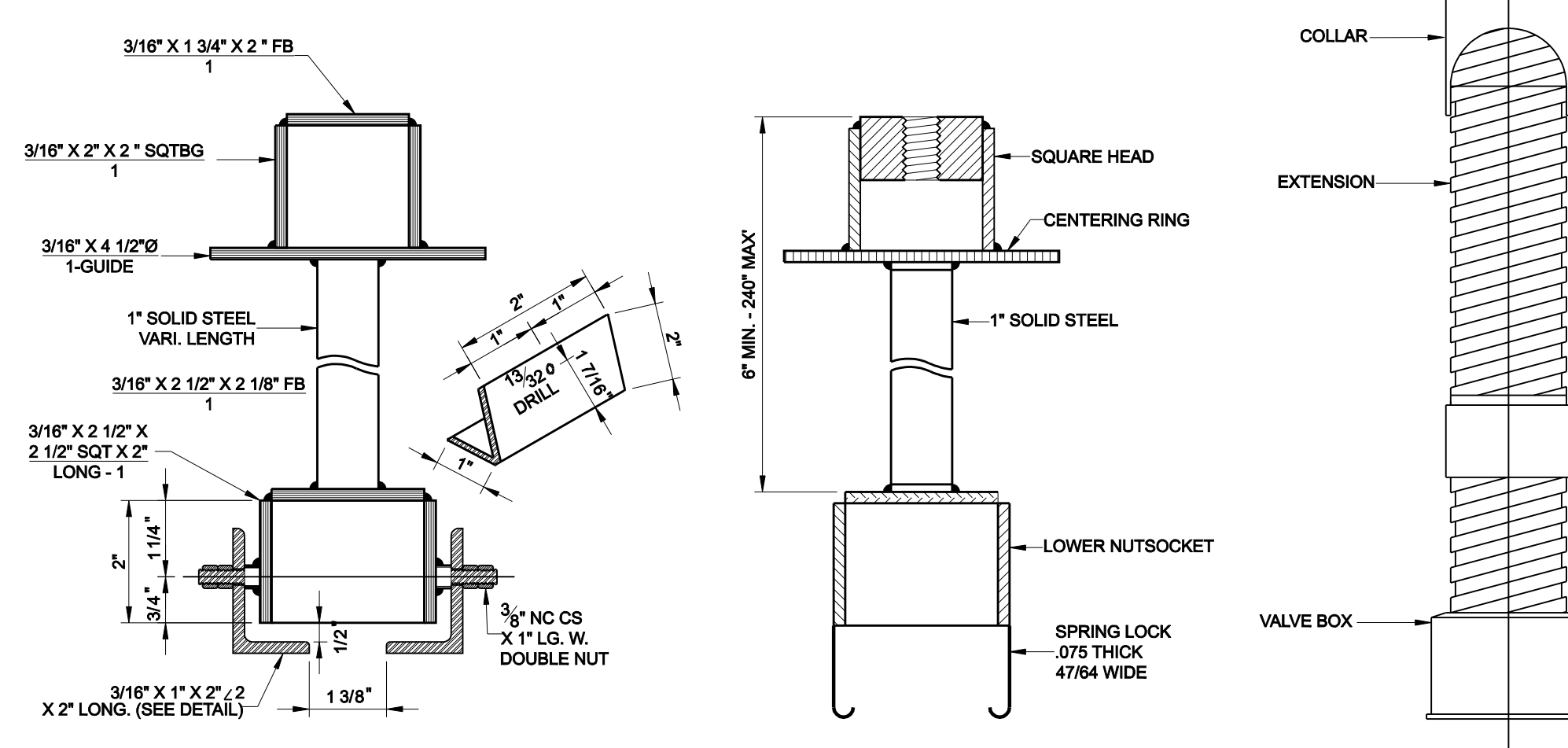


SHORT TERM ASPHALT PAVEMENT REPAIR FOR OPEN CUT TRENCHING

NOTE:
 1. DESIGN, SITE REQUIREMENTS - THE GENERAL OPERATION, PAINTING AND DELIVERY OF ALL FIRE HYDRANTS SHALL BE IN ACCORDANCE WITH THE TOWN OF ADDISON WATER SYSTEM REQUIREMENTS.
 2. FIRE HYDRANT SHALL BE LOCATED A MINIMUM OF ONE FOOT (1') OUTSIDE OF THE AREA BETWEEN THE P.C.'S OF THE CORNER TURNING RADIES AT INTERSECTION AND DRIVEWAY (SEE PLAN VIEW).



TYPICAL FIRE HYDRANT INSTALLATION



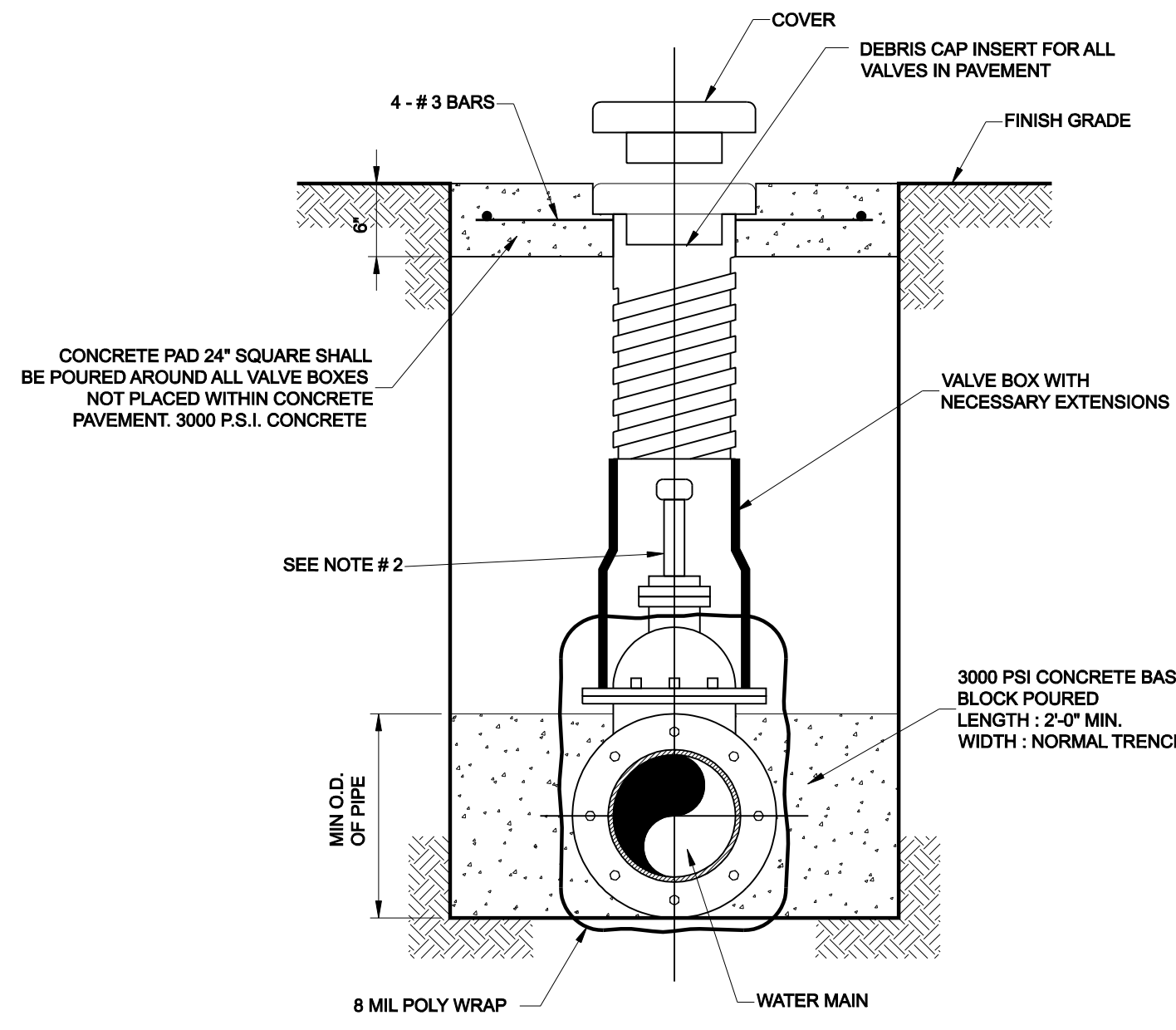
NOTE: TO BE USED ON ALL VALVES DEEPER THAN 5'-0\"/>

TYPE - B VALVE EXTENSION

SPRING LOCK VALVE EXTENSION

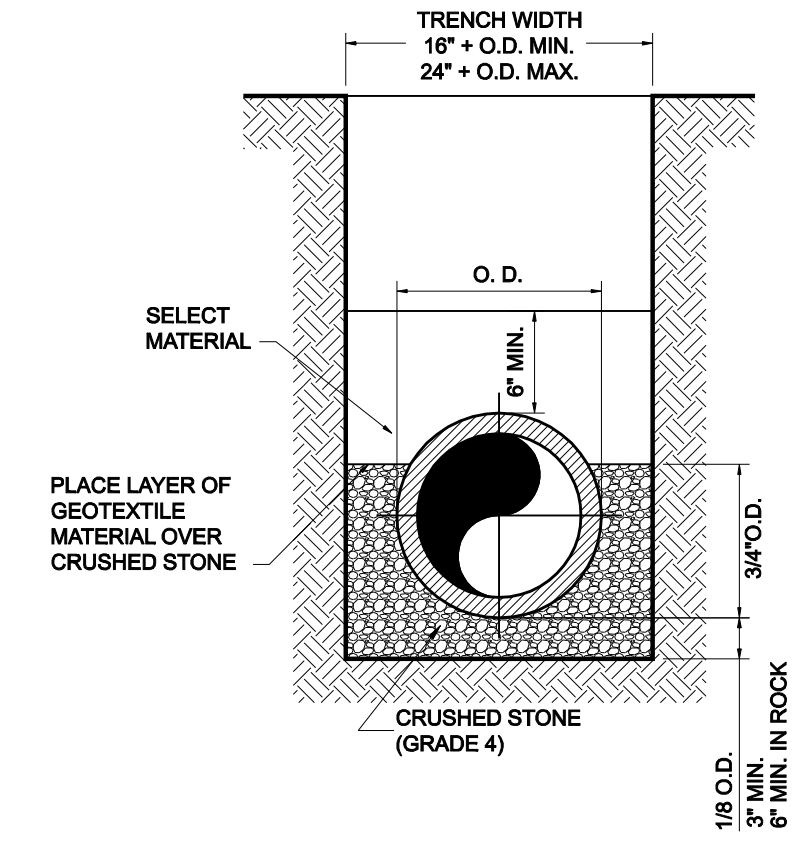
VALVE BOX WITH EXTENSION

ALL CAST IRON FITTINGS SHALL BE DOMESTIC.



TYPICAL VALVE SETTING & BOX

NOTE:
 1. 4\"/>



CLASS "B+" EMBEDMENT
 TYPICAL BACKFILL WATER MAIN
 P.V.C. WATER PIPE



NO.		REVISION	BY	DATE
TOWN OF ADDISON DALLAS COUNTY, TEXAS PAVING, DRAINAGE & UTILITY IMPROVEMENTS VITRUVIAN WAY & PONTE AVENUE WATER DETAILS				
icon Consulting Engineers, Inc. Civil Engineers - Designers - Planners 250 W. Southlake Blvd., Suite 117 Southlake, TX 76092 (817) 552-6210				
PROJECT	DESIGN	DRAWN	DATE	FILE
5029-01	ICE	ICE	MAY 7 2009	PW# 2009-01
				SHEET
				62

PAVING, DRAINAGE, & UTILITY IMPROVEMENTS - VITRUVIAN WAY & PONTE AVENUE