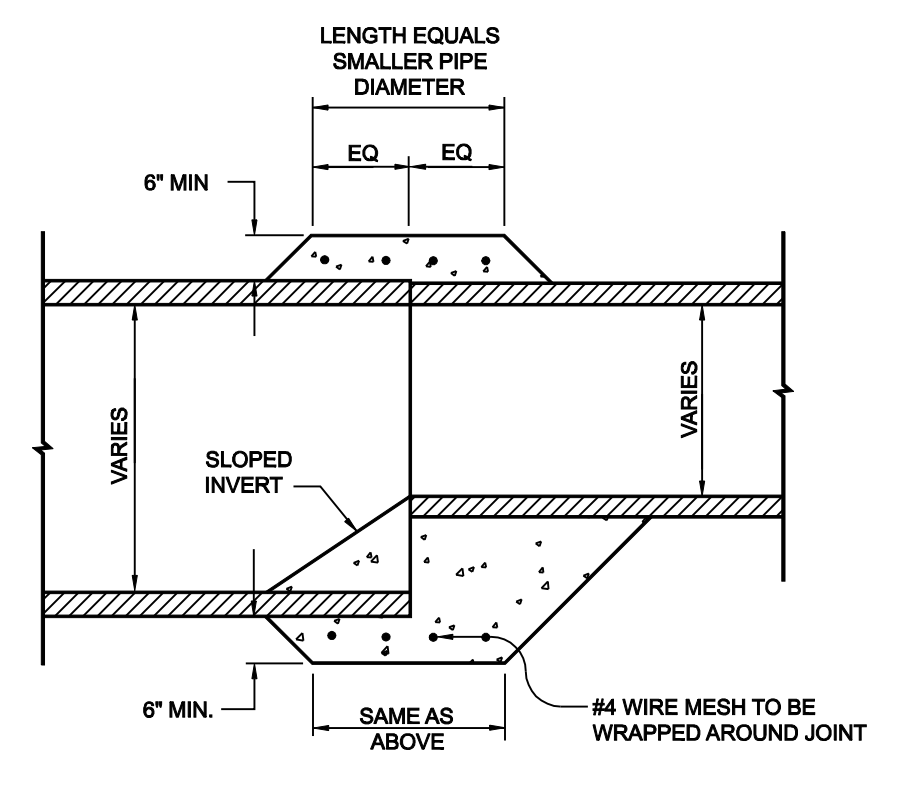
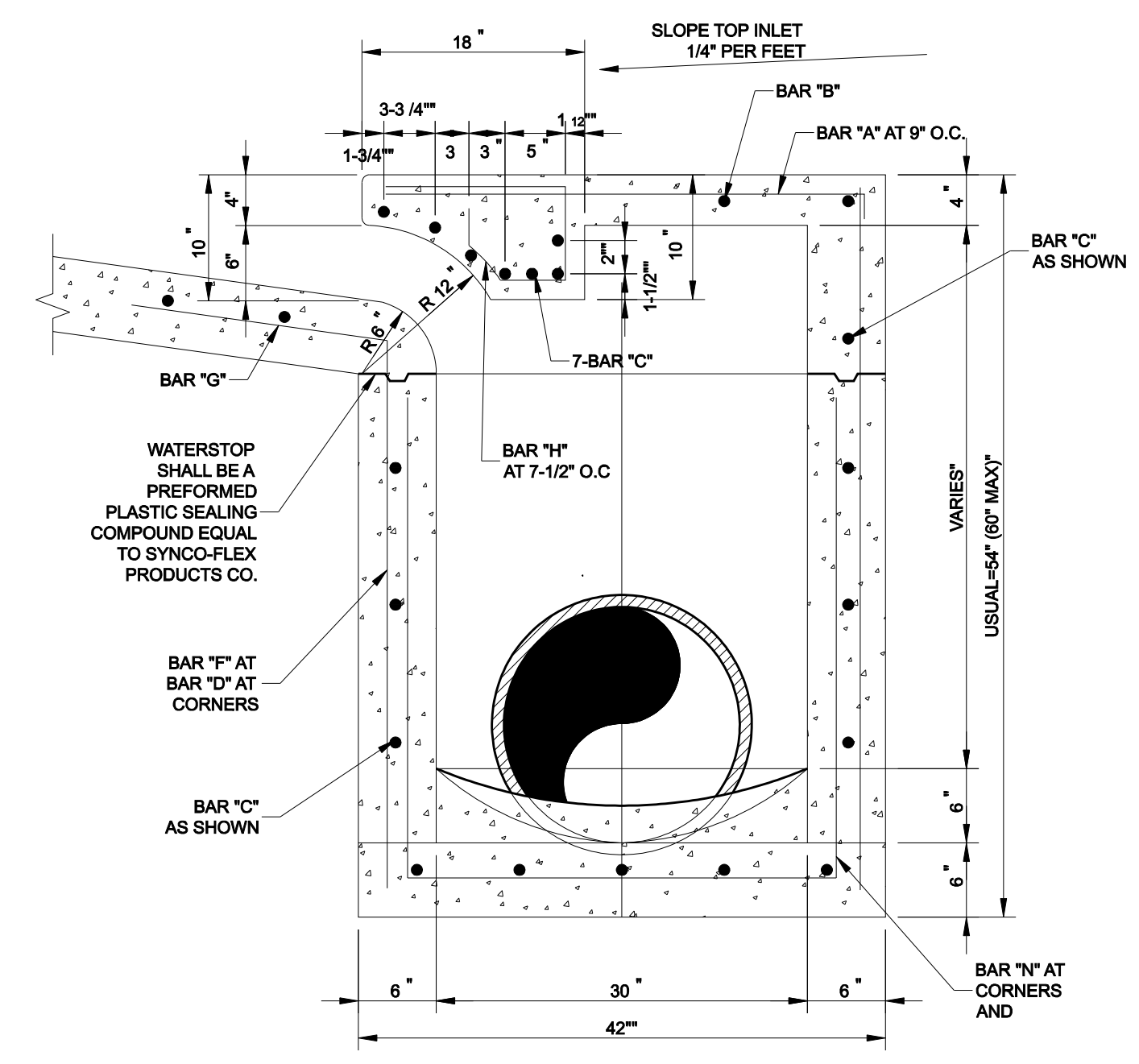


- NOTES
 1. THIS PROCEDURE/DETAIL WILL ONLY BE USED WHEN 1 PREFAB REDUCTION IS NOT POSSIBLE.
 2. CONCRETE FOR COLLAR WILL NOT BE PAID FOR DIRECTLY, BUT WILL BE CONSIDERED SUBSIDIARY TO THE VARIOUS OTHER BIDS.
 3. CONCRETE SHALL BE 5 SACK 3000 PSI.

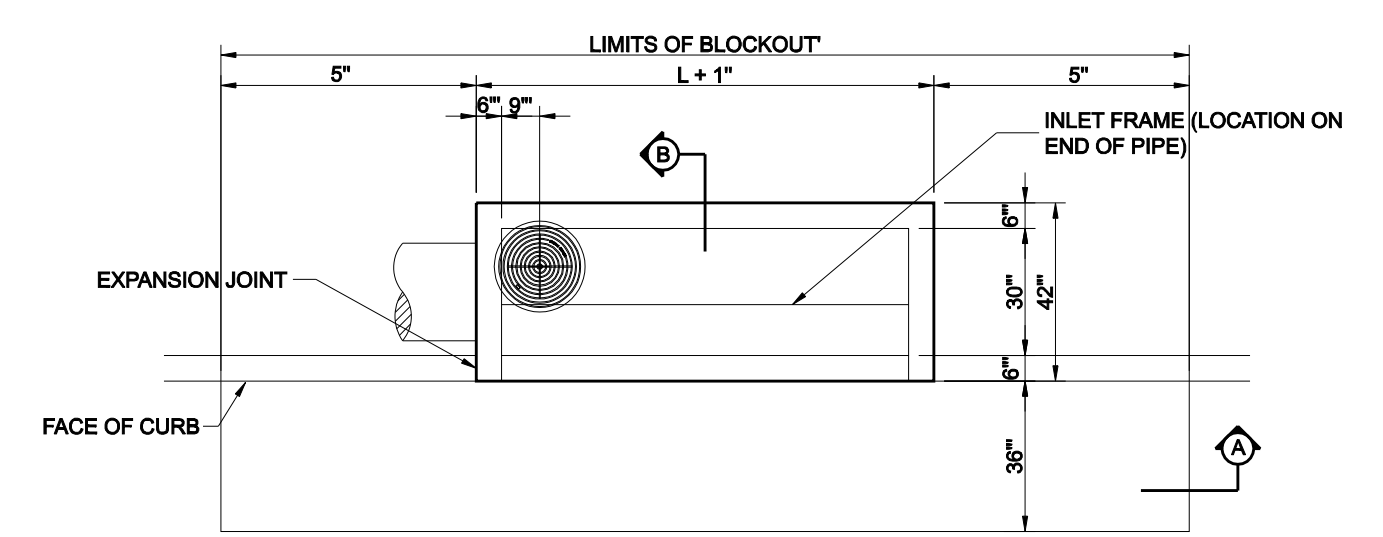


PIPE COLLAR DETAIL



SECTION B

STANDARD CURB INLET
 6, 8 AND 10 FOOT
 N.T.S.



SECTION A

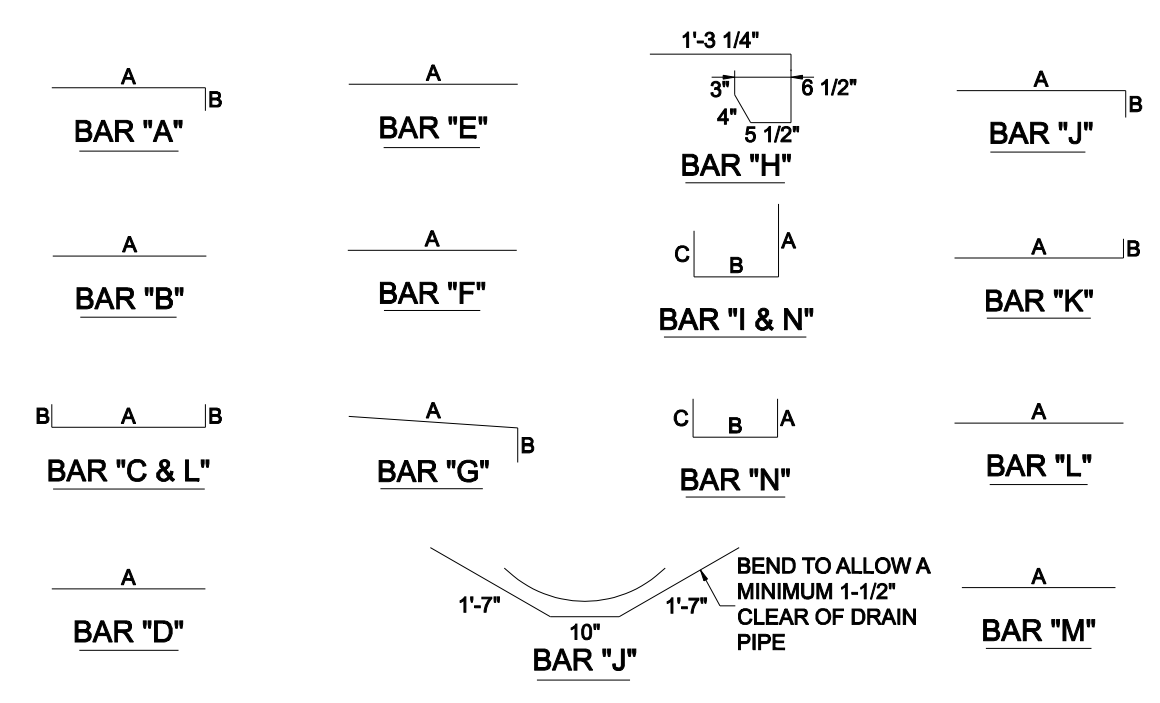
STANDARD CURB INLET
 6, 8 AND 10 FOOT
 N.T.S.

NOTE:
 PIPE MAY BE PLACED IN ANY WALL, BUT SHALL NOT ENTER ANY CORNER OR BOTTOM.
 #3 BAR 18" O.C.E.W. IN BLOCK OUT DRILLED INTO EXISTING CONCRETE.

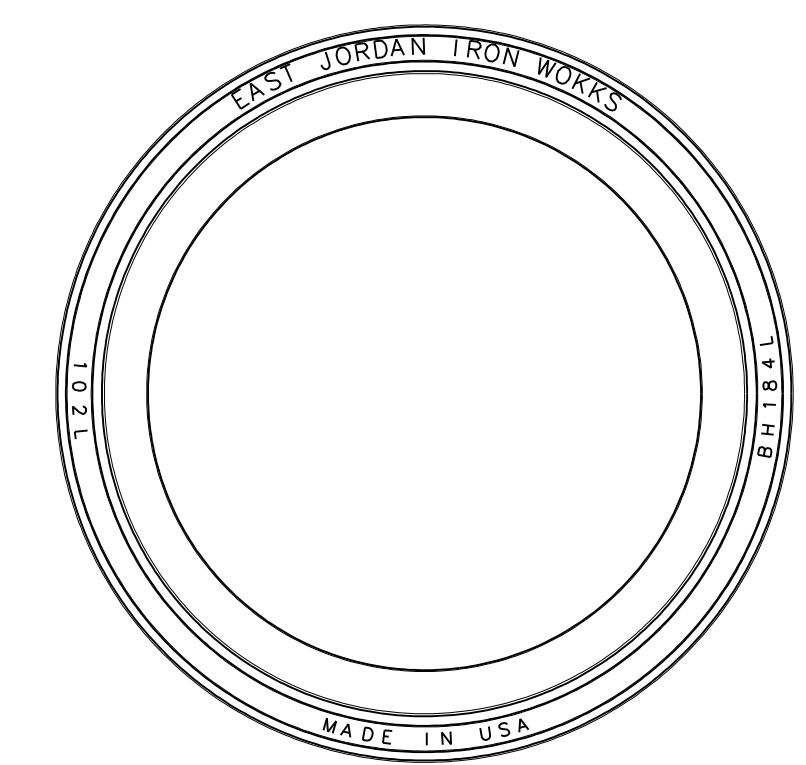
WARP TO SUIT CONDITIONS
 1/2" MORTAR FINISH, TROWELLED TO SMOOTH HARD SURFACE.

REINFORCING STEEL SCHEDULE													
DIMENSIONS ARE FOR MAXIMUM SIZE INLETS													
INLET LENGTH	BAR TYPE	BAR (1/8")	NO. REQD.	BAR DIMENSIONS			INLET LENGTH	BAR TYPE	BAR (1/8")	NO. REQD.	BAR DIMENSIONS		
				A	B	C					A	B	C
6'	A	3	15	3'-2"	0'-6"	-	8'	A	3	19	3'-2"	0'-6"	-
	B	3	2	11'-6"	-	-		B	3	2	15'-6"	-	-
	C	4	16	13'-4"	0'-6"	-		C	4	16	17'-4"	0'-6"	-
	D	4	9	4'-8"	-	-		D	4	9	4'-8"	-	-
	E	5	6	13'-4"	-	-		E	5	6	17'-4"	-	-
	F	4	5	1'-2"	-	-		F	4	5	1'-2"	-	-
	G	3	12	2'-0"	1'-3"	-		G	3	12	2'-0"	1'-3"	-
	H	3	26	-	-	-		H	3	26	-	-	-
	I	4	12	4'-8"	3'-2"	3'-2"		I	4	16	4'-8"	3'-2"	3'-2"
	J	5	1	-	-	-		J	5	1	-	-	-
	K	5	6	3'-2"	0'-6"	-		K	5	6	3'-2"	0'-6"	-
	L	4	11	3'-2"	0'-6"	-		L	4	11	3'-2"	0'-6"	-
M	4	2	3'-0"	-	-	M	4	2	3'-0"	-	-		
N	4	2	4'-8"	3'-2"	4'-8"	N	4	2	4'-8"	3'-2"	4'-8"		
7'	A	3	17	3'-2"	0'-6"	-	10'	A	3	23	3'-2"	0'-6"	-
	B	3	2	13'-6"	-	-		B	3	2	19'-6"	-	-
	C	4	16	15'-4"	0'-6"	-		C	4	16	21'-4"	0'-6"	-
	D	4	9	4'-8"	-	-		D	4	9	4'-8"	-	-
	E	5	6	15'-4"	-	-		E	5	6	21'-4"	-	-
	F	4	5	1'-2"	-	-		F	4	5	1'-2"	-	-
	G	3	15	2'-0"	1'-3"	-		G	3	15	2'-0"	1'-3"	-
	H	3	32	-	-	-		H	3	32	-	-	-
	I	4	14	4'-8"	3'-2"	3'-2"		I	4	20	4'-8"	3'-2"	3'-2"
	J	5	1	-	-	-		J	5	1	-	-	-
	K	5	6	3'-2"	0'-6"	-		K	5	6	3'-2"	0'-6"	-
	L	4	11	3'-2"	0'-6"	-		L	4	11	3'-2"	0'-6"	-
M	4	2	3'-0"	-	-	M	4	2	3'-0"	-	-		
N	4	2	4'-8"	3'-2"	4'-8"	N	4	2	4'-8"	3'-2"	4'-8"		

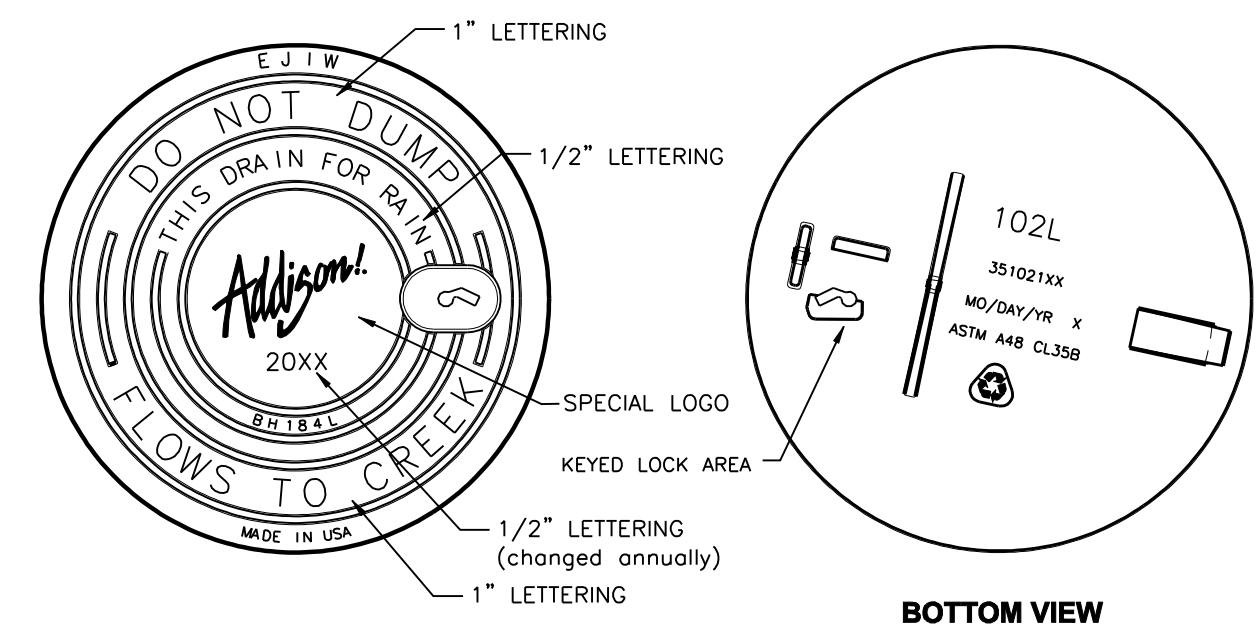
* SEE DIAGRAM FOR DIMENSION FIELD CUT AS REQUIRED TO ACCOMMODATE DRAIN PIPE



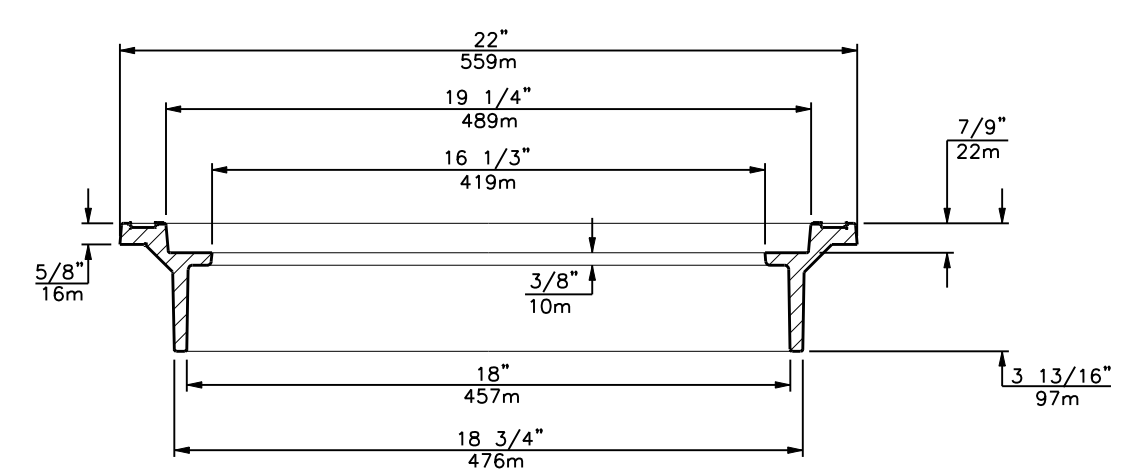
BAR DIAGRAMS



RING SECTION



BOTTOM VIEW



COVER SECTION

LOAD RATING LIGHT DUTY INLET COVER NON-TRAFFIC INLET RING	COATING DIPPED	ESTIMATED WEIGHT COVER: 60 LBS FRAME: 151 LBS	MATERIAL SPECIFICATION COVER - GRAY IRON ASTM A48 CL35B FRAME - GRAY IRON ASTM A48 CL35B
---	-------------------	---	--

DESIGNATES MACHINE SURFACE

INLET FRAME AND COVER

GENERAL NOTES

- ALL CONCRETE DRAINAGE STRUCTURES SHALL HAVE A MINIMUM COMPRESSED STRENGTH OF 3000 P.S.I.
- ALL CRUSHED STONE SHALL BE 3/4", PASSING #4 SIEVE.
- ALL FIELD JOINTS WILL BE APPROVED BY THE CITY ENGINEER IF NECESSARY. FIELD JOINTS SHALL BE WIPED ON THE INSIDE AND OUTSIDE TO PROVIDE FOR SMOOTH FLOW OF WATER.
- RAMNECK COMPOUND OR APPROVED EQUAL SHALL BE USED FOR JOINT SEALS.
- ALL STORM SEWER PIPE SHALL BE CAMERA INSPECTED AFTER THE INSTALLATION OF ALL PAVING, UTILITIES, AND PRIOR TO FINAL ACCEPTANCE OF THE PROJECT.



NO.		REVISION		BY		DATE	
TOWN OF ADDISON DALLAS COUNTY, TEXAS PARK AND STREETSCAPE IMPROVEMENTS VITRUVIAN PARK STORM DRAIN DETAILS							
icon Consulting Engineers, Inc.		250 W. Southlake Blvd., Suite 117		Southlake, Tx 76092 (817) 552-6210			
PROJECT	DESIGN	DRAWN	DATE	FILE	SHEET		
5029-01	ICE	ICE	APR 26, 2010	PW# 2009-04	C406		

PARK AND STREETSCAPE IMPROVEMENTS - VITRUVIAN PARK