

**LEGEND**

PULL BOX (GROUND BOX)	■
PVC CONDUIT (LIGHTING)	---
PVC CONDUIT (POWER)	---
TRANSFORMER ON PAD	* ▲
STREET LIGHT - 250W	⊙
STREET LIGHT - FUTURE 250W	⊙
STREET LIGHT - 100W	⊙
STREET LIGHT - FUTURE 100W	⊙
DUPLEX 20A GFCI RECEPTACLE	⊕
HUBBELL GFR5362SGW OR EO	⊕
QUAD (2) CIRCUIT 20A GFCI RECEPTACLE, (2) HUBBELL GFR5362SGW OR EO	⊕
* PROVIDED BY POWER COMPANY	

**WARNING**

CONTRACTOR IS TO CONTACT TEXAS ONE-CALL SYSTEM (1-800-245-4545) OR OTHER UTILITY LOCATING SERVICES AT LEAST 48 HOURS PRIOR TO CONSTRUCTION ACTIVITIES. ICON CONSULTING ENGINEERS, INC. IS NOT RESPONSIBLE FOR KNOWING ALL EXISTING UTILITIES IN THE PROJECT AREA NOR FOR DEPICTING THE EXACT LOCATIONS OF UTILITIES ON THESE DRAWINGS.

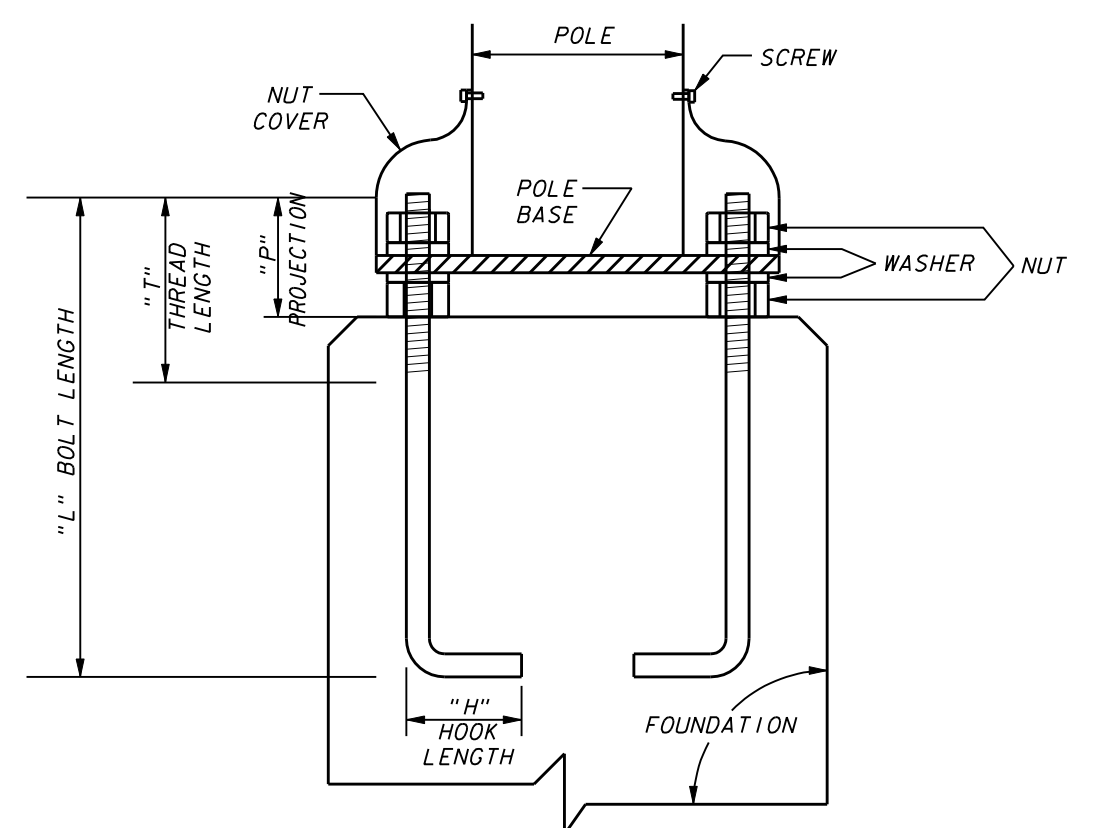
BM #1 REF. ELEVATION = 559.47  
 SQUARE CUT IN TOP OF CURB, SOUTH MEDIAN  
 END NOSE, MARSH LANE  
 112' NORTH OF VITRUVIAN WAY.

BM #2 REF. ELEVATION = 547.84  
 SQUARE CUT IN TOP OF CURB, NORTH MEDIAN  
 END NOSE, AT INTERSECTION OF  
 VITRUVIAN WAY AND MARSH LANE.



**STREET LIGHTING & CONDUIT NOTES**

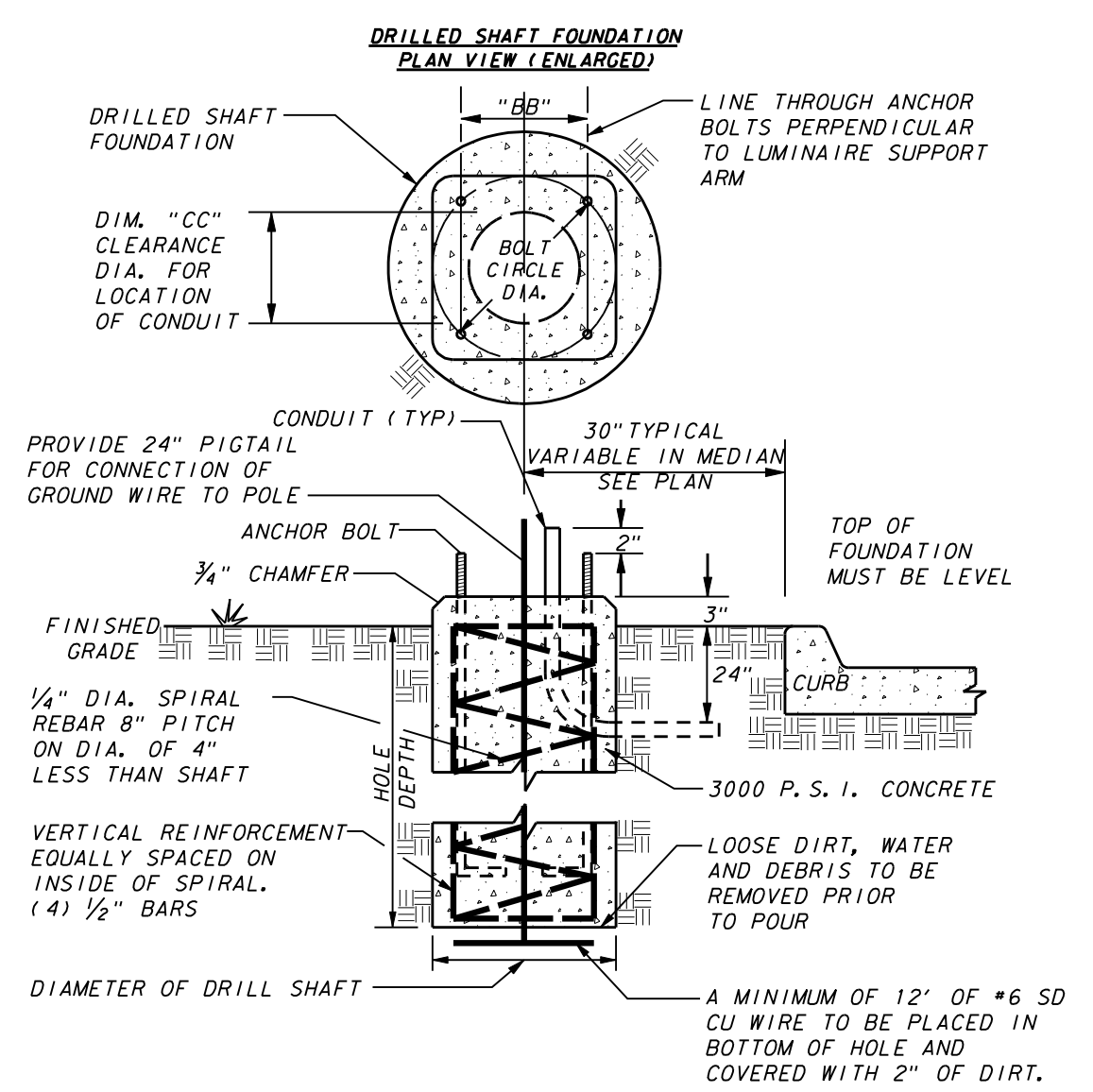
- REFER TO SHEET C100 "GENERAL CONSTRUCTION NOTES, LEGEND AND ABBREVIATIONS" FOR THE GENERAL CONSTRUCTION NOTES FOR THE PROJECT.
- REFER TO SHEET ED(1)-03 FOR ELECTRIC DETAILS - CONDUIT. RIGID METAL CONDUIT ELBOWS ARE NOT REQUIRED.
- REFER TO SHEET ED(2)-03 FOR ELECTRIC DETAILS - CONDUCTORS.
- REFER TO SHEET ED(3)-03 FOR ELECTRIC DETAILS - GROUND BOXES. RIGID METAL CONDUIT ELBOWS ARE NOT REQUIRED. CONCRETE APRON IS NOT REQUIRED.
- WATER, SANITARY SEWER, AND STORM DRAIN LINES ARE SHOWN FOR REFERENCE ONLY. CONTRACTOR SHALL LOCATE ALL UTILITY LINES IN THE AREA PRIOR TO DIGGING.
- INSTALL SCHEDULE 40 PVC UNDERGROUND (24" MIN COVER). ALL STREET AND DRIVEWAY CROSSINGS (30" MIN COVER). ALL BENDS TO LONG RADIUS.
- ALL CONDUIT AT POLE BASES TO BE WITHIN THE DRILLED SHAFT FOUNDATION. NO EXPOSED CONDUIT AT POLE BASES WILL BE ALLOWED.
- SL TYPE 2 - TWIN 100W 240V MH LUMINAIRE ON 11'-8" POLE, COLOR SILVER- REFERENCE SPECIAL PROVISIONS
- CONNECTION TO POWER COMPANY CIRCUITS TO BE MADE ONLY BY POWER COMPANY.
- UNLESS OTHERWISE INDICATED ALL WORK SHALL CONFORM TO THE 2008 NATIONAL ELECTRICAL CODE (NFPA 70) AND THE 2007 NATIONAL ELECTRICAL SAFETY CODE (ANSI C2).
- ALL EMPTY CONDUIT INSTALLED FOR FUTURE EXTENSION SHALL BE TURNED UP AND EXTENDED UP TO FINISHED GRADE. CAP ENDS OF ALL CONDUITS.
- REFER TO REFERENCED SHEETS FOR STREET LIGHTING DETAILS.
- IRRIGATION SLEEVES "IRR" SHALL CONSIST OF 1-6" SCH 40 PVC AND 1-2" SCH 40 PVC INSTALLED WITH MINIMUM 24" COVER AND EXTENDING 2' BEYOND THE BACKS OF CURB OR EDGE OF PAVEMENT AND UP TO FINISHED GRADE. CAP ENDS OF ALL CONDUITS.



- NOTES:**
- USE ANCHOR BOLT TEMPLATE FURNISHED BY POLE MANUFACTURER FOR ANCHOR BOLT ALIGNMENT.
  - ALL EXPOSED HARDWARE TO BE STAINLESS STEEL.

TYPE NO.	BOLT DIA. (IN.)	LENGTH (IN.)	HOOK (IN.)	THREAD (IN.)	PROJECTION (IN.)
45	3/4"	17	3 1/2"	5 1/2"	3 1/2"
47	1"	36	4	6	4

SUPPLY 2 NUTS & 2 WASHERS WITH EACH BOLT



TYPE NO.	SHAFT DEPTH	BOLT DIA.	ANCHOR TYPE NO.	CONDUIT CLEARANCE DIM. \"CC\"	DISTANCE ACROSS BOLTS DIM. \"BB\"
1	60"	18"	9 1/2"	4 1/2"	6 3/4"
2	60"	18"	9 1/2"	4 1/2"	6 3/4"
3	72"	24"	11 1/2"	7 1/2"	8 3/4"
4	72"	24"	11 1/2"	7 1/2"	8 3/4"

ANCHOR BOLT DETAIL

DRILLED SHAFT FOUNDATION

NO.	REVISION	BY	DATE

**Addison** TOWN OF ADDISON  
 DALLAS COUNTY, TEXAS

**PARK AND STREETScape IMPROVEMENTS**  
 VITRUVIAN PARK

**STREET LIGHT & CONDUIT PLAN**  
 PA

**icon** Consulting Engineers, Inc.  
 Civil Engineers - Designers - Planners  
 250 W. Southlake Blvd., Suite 117  
 Southlake, TX 76092 (817) 552-6210

PROJECT	DESIGN	DRAWN	DATE	FILE	SHEET
5029-01	ICE	ICE	APR 26, 2010	PW# 2009-04	C812

PARK AND STREETScape IMPROVEMENTS - VITRUVIAN PARK