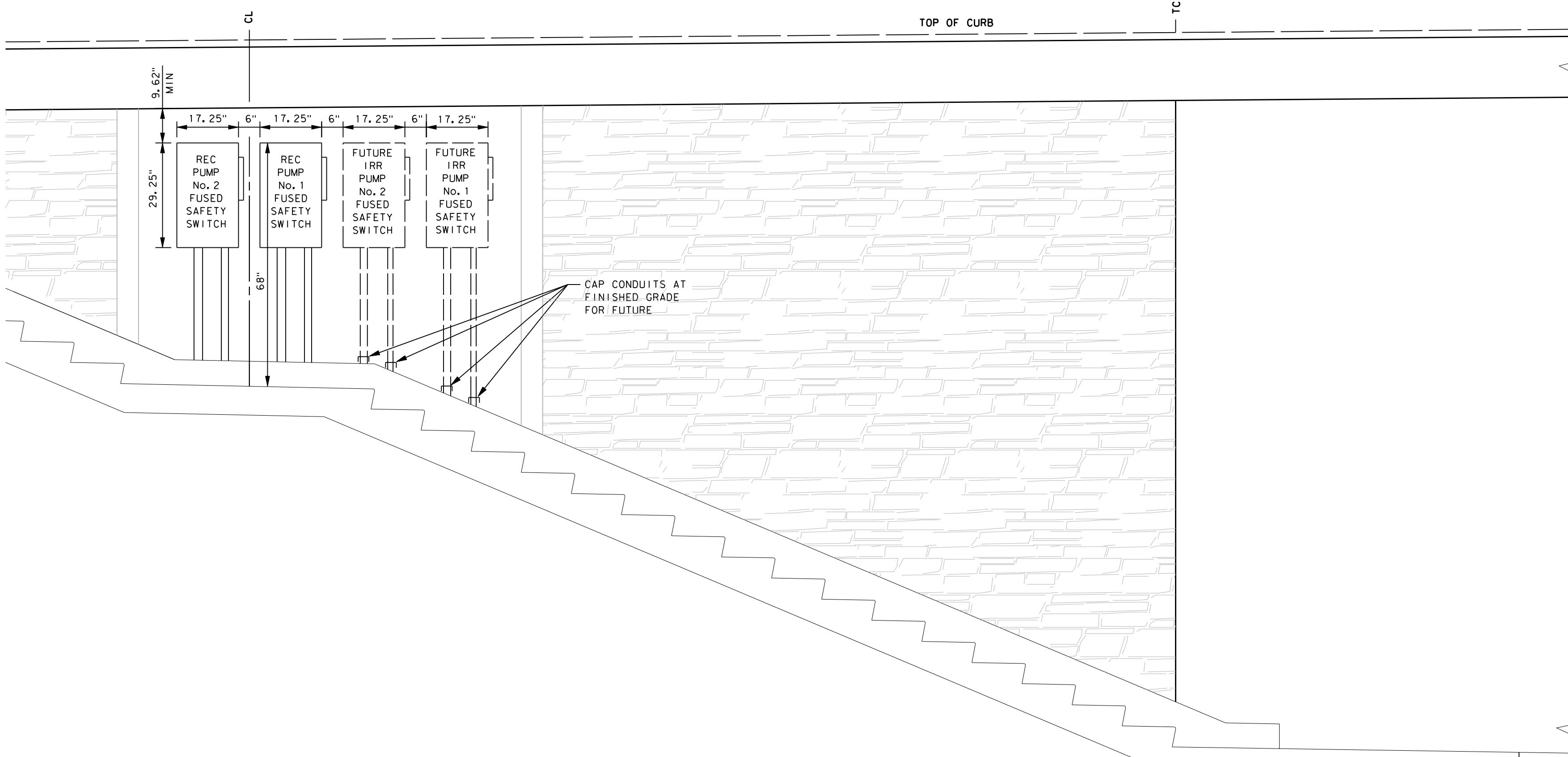


**GROTTO / AMPHITHEATER
ELECTRIC EQUIPMENT ELEVATION**
SCALE: 1/2" = 1'-0"

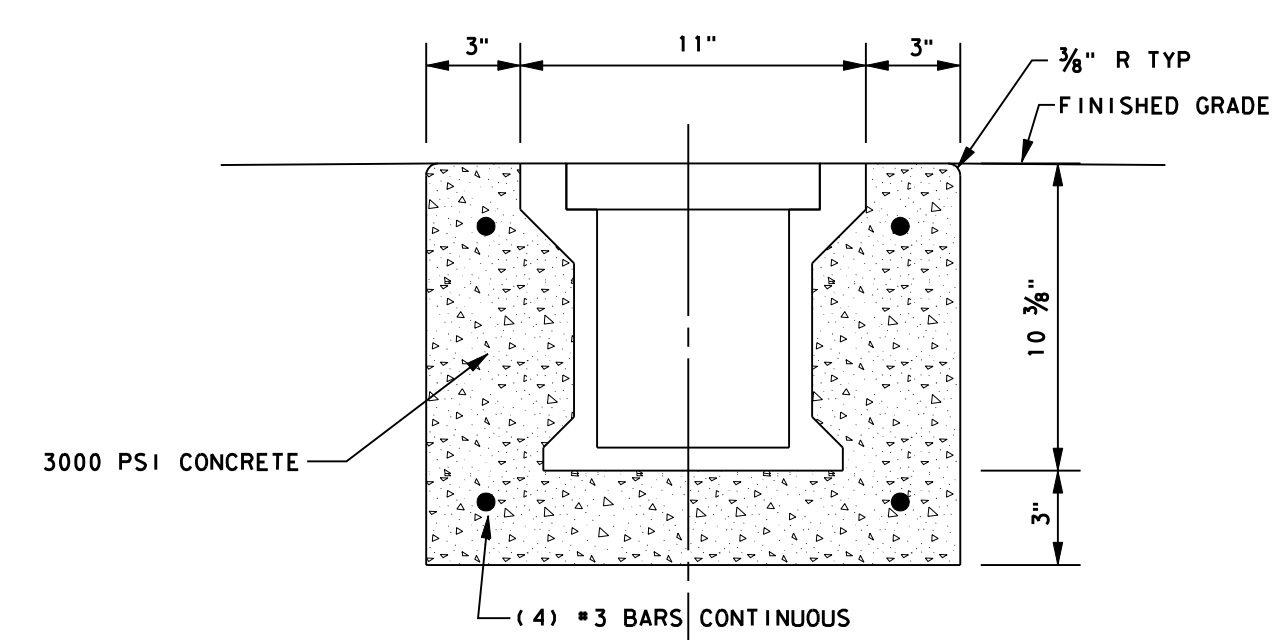
Panel Schedule									
Single Phase					Three Phase				
Pos. No.	Blk. No.	Trip Amps	No. Poles	Serves	Pos. No.	Blk. No.	Trip Amps	No. Poles	Serves
1	15	2	2	Amphith Lighting (Back) < 435 >	2	15	1	1	Grotto Lighting (N-O)
3	15			Amphith Lighting (Back) < 435 >	4	15	1	1	Grotto Lighting (N-C)
5	15	2	2	Amphith Lighting (Front) < 316 >	6	15	1	1	Grotto Lighting (N-I)
7	15			Amphith Lighting (Front) < 392 >	8	15	1	1	Grotto Lighting (S-O)
9	15	2	2	Amphith Lighting (Lake) < 237 >	10	15	1	1	Grotto Lighting (S-C)
11	15			Amphith Lighting (Lake) < 322 >	12	15	1	1	Grotto Lighting (S-I)
13	15	1	1	Grotto Lighting (WF-S) < 2000 >	14	15	1	1	Grotto Lighting (Pool-N)
15	15	1	1	Grotto Lighting (WF-C) < 500 >	16	15	1	1	Grotto Lighting (Pool-C)
17	15	1	1	Grotto Lighting (WF-N) < 500 >	18	15	1	1	Grotto Lighting (Pool-S)
Total Amps per Leg = 4650					Total Amps per Leg = 4650				
Total Amps per Leg = 39					Total Amps per Leg = 51				

ALL BREAKERS SHALL BE SWITCH RATED.
NO TANDEM BREAKERS ALLOWED.
ENCLOSURE MOUNTED PHOTO ELECTRIC CONTROL, MECHANICAL 24 HR TIME CLOCK
AND HOA SWITCH REQUIRED FOR CONTACTOR OPERATION.

Panel Schedule									
Single Phase					Three Phase				
Pos. No.	Blk. No.	Trip Amps	No. Poles	Serves	Pos. No.	Blk. No.	Trip Amps	No. Poles	Serves
1	15	2	2	Amphith Simplex Outlet N < 2500 >	2	30	2	2	Amphith Simplex Outlet C
3	15			Amphith Simplex Outlet N < 2500 >	4	30			Amphith Simplex Outlet C
5	20	2	2	Amphith Quad Outlet 2 C < 1920 >	6	20	2	2	Amphith Quad Outlet 1 N
7	20			Amphith Quad Outlet 2 C < 1920 >	8	20			Amphith Quad Outlet 1 N
9	20	2	2	Amphith Quad Outlet 3 S < 1920 >	10	30	2	2	Amphith Simplex Outlet S
11	20			Amphith Quad Outlet 3 S < 1920 >	12	30			Amphith Simplex Outlet S
13	20	2	2	Grotto Quad Outlet 1 S < 1920 >	14	30	2	2	Grotto Simplex Outlet 1 N
15	20			Grotto Quad Outlet 1 S < 1920 >	16	30			Grotto Simplex Outlet 1 N
17	20	2	2	Grotto Quad Outlet 2 S < 1920 >	18	20	2	2	Grotto Quad Outlet 1 N
19	20			Grotto Quad Outlet 2 S < 1920 >	20	20			Grotto Quad Outlet 1 N
21	20	2	2	Grotto Quad Outlet 2 N < 1920 >	22	30	2	2	Grotto Simplex Outlet 1 S
23	20			Grotto Quad Outlet 2 N < 1920 >	24	30			Grotto Simplex Outlet 1 S
25	30	2	2	Grotto Simplex Outlet 2 S < 2500 >	26	30	2	2	Grotto Simplex Outlet 2 N
27	30			Grotto Simplex Outlet 2 S < 2500 >	28	30			Grotto Simplex Outlet 2 N
29	65	2	2	Panel GAL Contactor < 6150 >	30	50	3	3	Future Interactive Fountain
31	65			Panel GAL Contactor < 4650 >	32	50			Future Interactive Fountain
33	30	2	2	VPN Contactor < 2400 >	34	50			Future Interactive Fountain
35	30			VPN Contactor < 6000 >	36	20	1	1	Two Duplex Outlets - N1
37				Space < 1920 >	38	20	1	1	Two Duplex Outlets - N2
39				Space < 1920 >	40				Space
41				Space < 1920 >	42				Space
Connected VA per Phase = 34670					Connected VA per Phase = 31660				
Total Amps per Phase = 289					Total Amps per Phase = 264				



**PONTE AVENUE NORTHEAST STAIR
ELECTRIC EQUIPMENT ELEVATION**
SCALE: 1/2" = 1'-0"



**TYPICAL SECTION
CABLE TROUGH ASSEMBLY
ENCASED IN CONCRETE**
SCALE: 2" = 1'-0"



NO.	REVISION	BY	DATE

Addison! TOWN OF ADDISON
DALLAS COUNTY, TEXAS

**PARK AND STREETSCAPE IMPROVEMENTS
VITRUVIAN PARK**

PARK LIGHTING & ELECTRICAL DETAILS

icon Consulting Engineers, Inc. 250 W. Southlake Blvd., Suite 117
Civil Engineers - Designers - Planners Southlake, Tx 76092 (817) 552-6210

PROJECT	DESIGN	DRAWN	DATE	FILE	SHEET
5029-01	ICE	ICE	APR 26, 2010	PW# 2009-04	C806

PARK AND STREETSCAPE IMPROVEMENTS - VITRUVIAN PARK