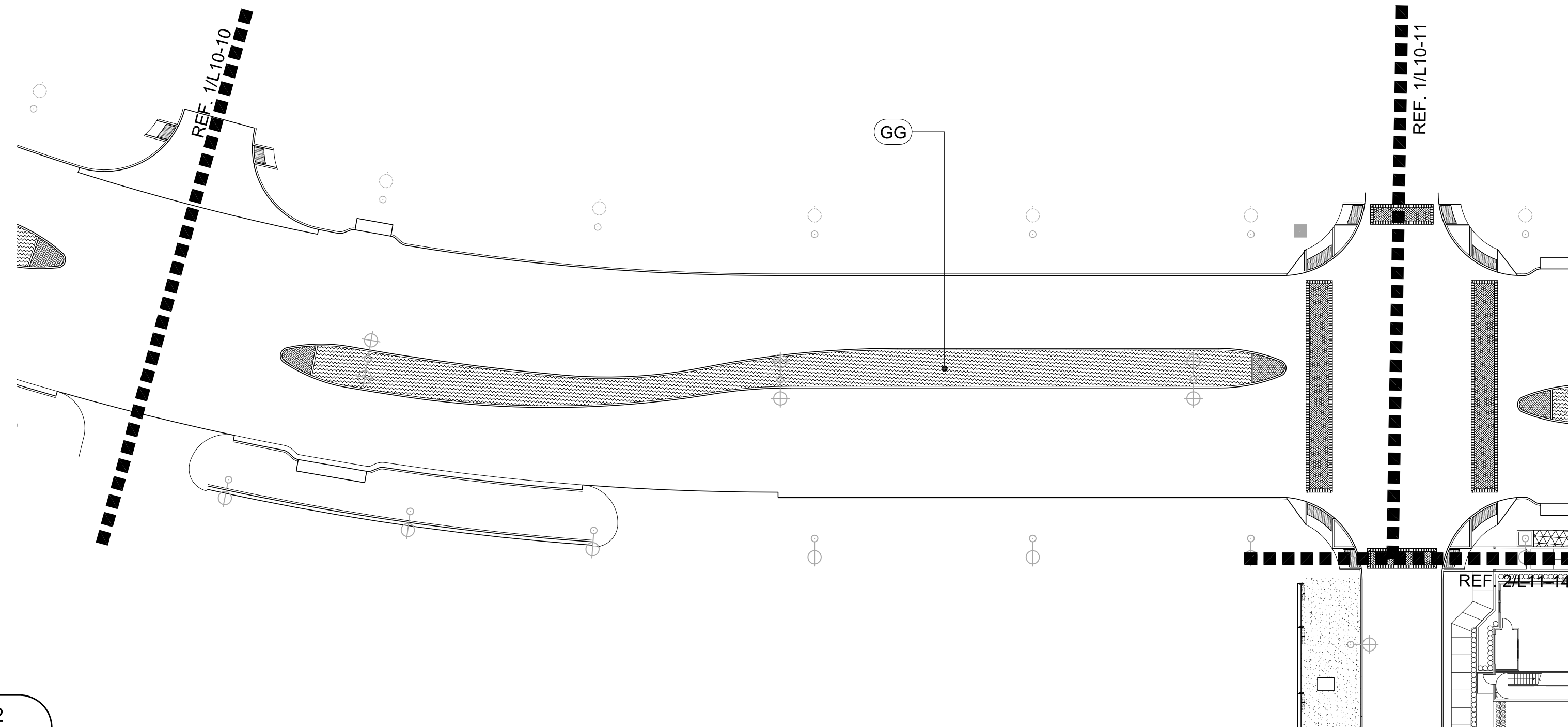


PLANT QUANTITIES

GG (2,855 sf.) Asian Jasmine
Trachelospermum asiaticum
1 gal, plant 18" o.c.

NOTE: ALL tree locations that are shown shall be staked by the Landscape Contractor and the locations of the stakes approved in writing by the town of Addison and Landscape Architect, prior to any tree planting.

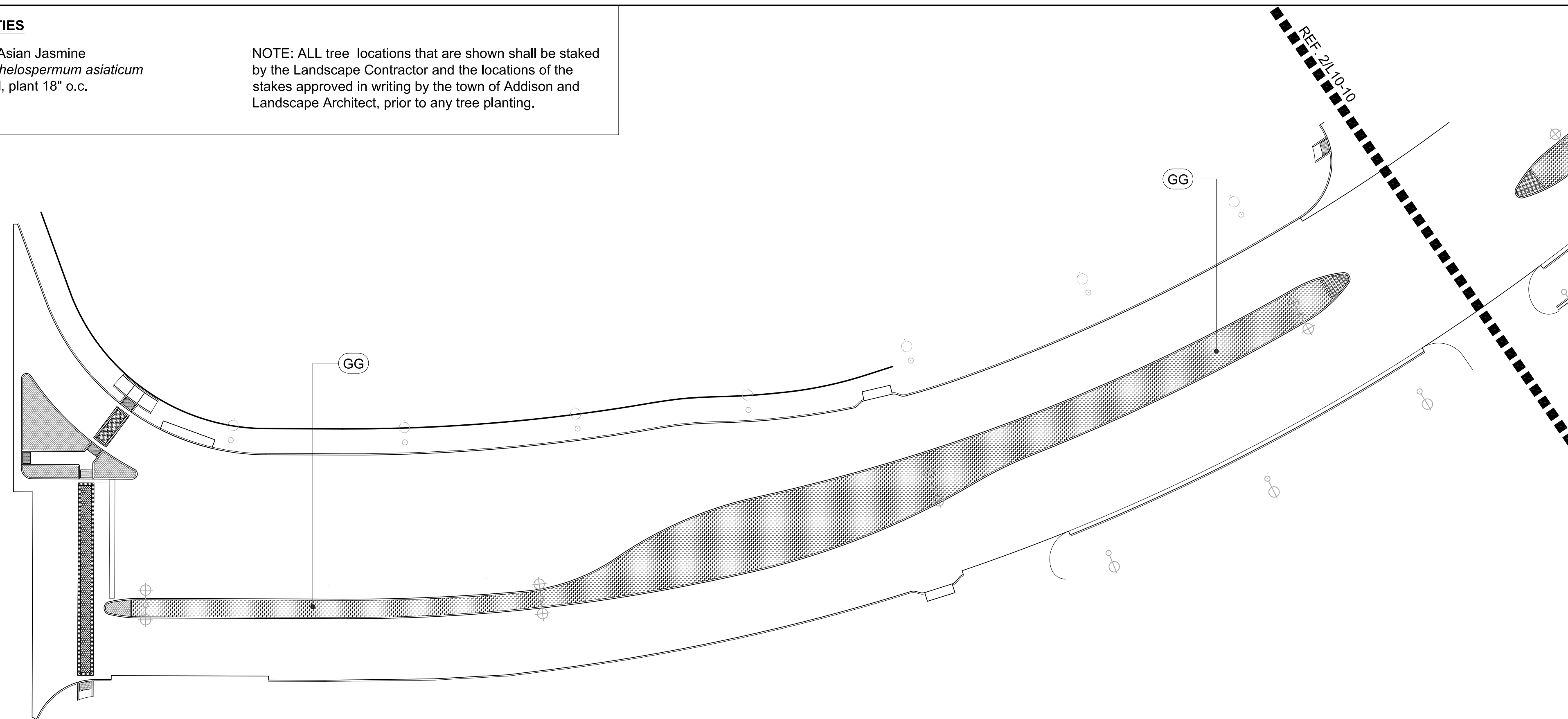


2
L10-10 Vitruvian Way, Planting Plan - Shrubs, Groundcover & Grasses

PLANT QUANTITIES

GG (4,096 sf.) Asian Jasmine
Trachelospermum asiaticum
1 gal, plant 18" o.c.

NOTE: ALL tree locations that are shown shall be staked by the Landscape Contractor and the locations of the stakes approved in writing by the town of Addison and Landscape Architect, prior to any tree planting.



1
L10-10 Vitruvian Way, Planting Plan - Shrubs, Groundcover & Grasses

PLANTING LEGEND

- A Existing Tree to remain
Reference specifications for existing tree protection and treatment.
- B Preserved Live Oak
Quercus virginiana
On-site, field dug specimen, requires 168" tree spade to move, LA to select and place. Ref. to "Tree Preservation Area Legend & Notes" (Inset on sheets L11-03, L11-04, L11-05 & L11-08) for number suffix.
- C Live Oak
Quercus virginiana
4" cal, single trunk, container grown.
- C1 Live Oak, 'High Rise'
Quercus virginiana, 'QVTIA'
4" cal, single trunk, container grown.
- D NOT USED.
- E NOT USED.
- F Red Oak
Quercus texana
4" cal, container grown.
- G Shumard Oak
Quercus shumardii
4" cal, container grown.
- H Chinkapin Oak
Quercus muhlenbergii
4" cal, container grown.
- I Bald Cypress
Taxodium distichum
4" cal, container grown.
- J Pond Cypress
Taxodium ascendens
4" cal, container grown.
- K Texas Ash
Fraxinus texensis
4" cal, container grown.
- L Lacebark Elm
Ulmus parvifolia
4" caliper, container grown.
- M River Birch
Betula nigra
12-14' ht., 3-5 canes each, B&B.
- AA NOT USED.
- BB Savannah Holly
Ilex opaca x attenuata 'Savannah'
4" cal, single trunk, 12' ht, tree form, container grown.
- CC Natchez Crape Myrtle
Lagerstroemia indica 'Natchez'
12-14' ht, multi trunk, 3-5 canes, grown for height.
- CC-2 Natchez Crape Myrtle
Lagerstroemia indica 'Natchez'
10-12' ht, multi trunk, 3-5 canes, grown for height.
- DD Oklahoma Redbud
Cercis canadensis 'Oklahoma'
3'-3 1/2" cal, 8' ht, container grown
- EE Weeping Love Grass
Eragrostis curvula
- FF Vitex
Vitex agnus-castus
65 gal, 10' ht, container, grown for height.
- GG Asian Jasmine
Trachelospermum asiaticum
1 gal, plant 18" o.c.
- HH Horsetail Reed
Equisetum hyemale
1 gal, plant 18" o.c.
- II Grass Mix for Hydromulch
Reference specifications for percentage of each seed for mixture:
1. Sideoats Grama, *Bouteloua curtipendula*; 2. Inland Sea Oats, *Chasmanthium latifolium*; 3. Prairie Wild Rye, *Elymus canadensis*; 4. Purple Top, *Tridens flavus*; 5. Virginia Wild Rye, *Elymus virginicus*; 6. Plains Bristlegrass, *Setaria vulpiseta*.
- JJ Midiron Bermuda
Cynodon dactylon 'Midiron'
sod, pinned on slopes greater than 6:1.
- KK Harbor Dwarf Nandina
Nandina domestica 'Harbor Dwarf'
15 gal., 3' ht., 36" o.c.
- LL Dwarf Chinese Holly
Ilex cornuta 'Rotunda'
15 gal., 3' ht., 36" o.c.
- MM Creeping Fig
Ficus Pumila
1 gal., staggered 18"-24" o.c.
- NN Mondo Grass
Ophiopogon japonicus
4" pot, max. 8" o.c., diamond pattern.

PLANTING NOTES:

1. All tree locations that are shown shall be staked by the Landscape Contractor and the stakes approved in writing by the town of Addison and Landscape Architect, prior to any tree planting.
2. Any and all tree plantings shall not be planted less than five feet (clear) to the back of the pond edge walls.
3. See planting detail (1/L1-22) for special staking detail for tree plantings located on the Islands.
4. Civil information for reference only. Verify actual location of utilities with Civil drawings.
5. All undimensioned trees for contractor to stake.
6. Contractor to provide aeration, pruning, and fertilization of preserved live oaks by an ISA certified arborist prior to construction around the trees.
7. Landscape contractor's scope of work to begin at finished grade minus 4".



NO.	REVISION	BY	DATE		
TOWN OF ADDISON DALLAS COUNTY, TEXAS					
PARK AND STREETSCAPE IMPROVEMENTS VITRUVIAN PARK					
VITRUVIAN WAY, PLANTING PLAN - SHRUBS, GROUND COVER & GRASSES					
KEVIN SLOAN STUDIO				4145 Travis, Suite 105 Dallas, Texas 75204 (214) 379-1061	
PROJECT	DESIGN	DRAWN	DATE	FILE	SHEET
5029-01	KWS	JP	APR 26, 2010	PW # 2009-04	L10-10

PARK AND STREETSCAPE IMPROVEMENTS - VITRUVIAN PARK