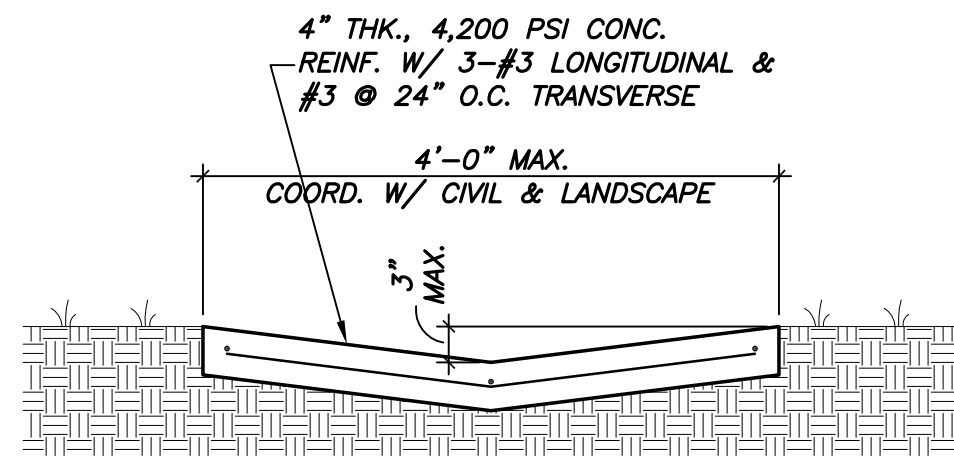
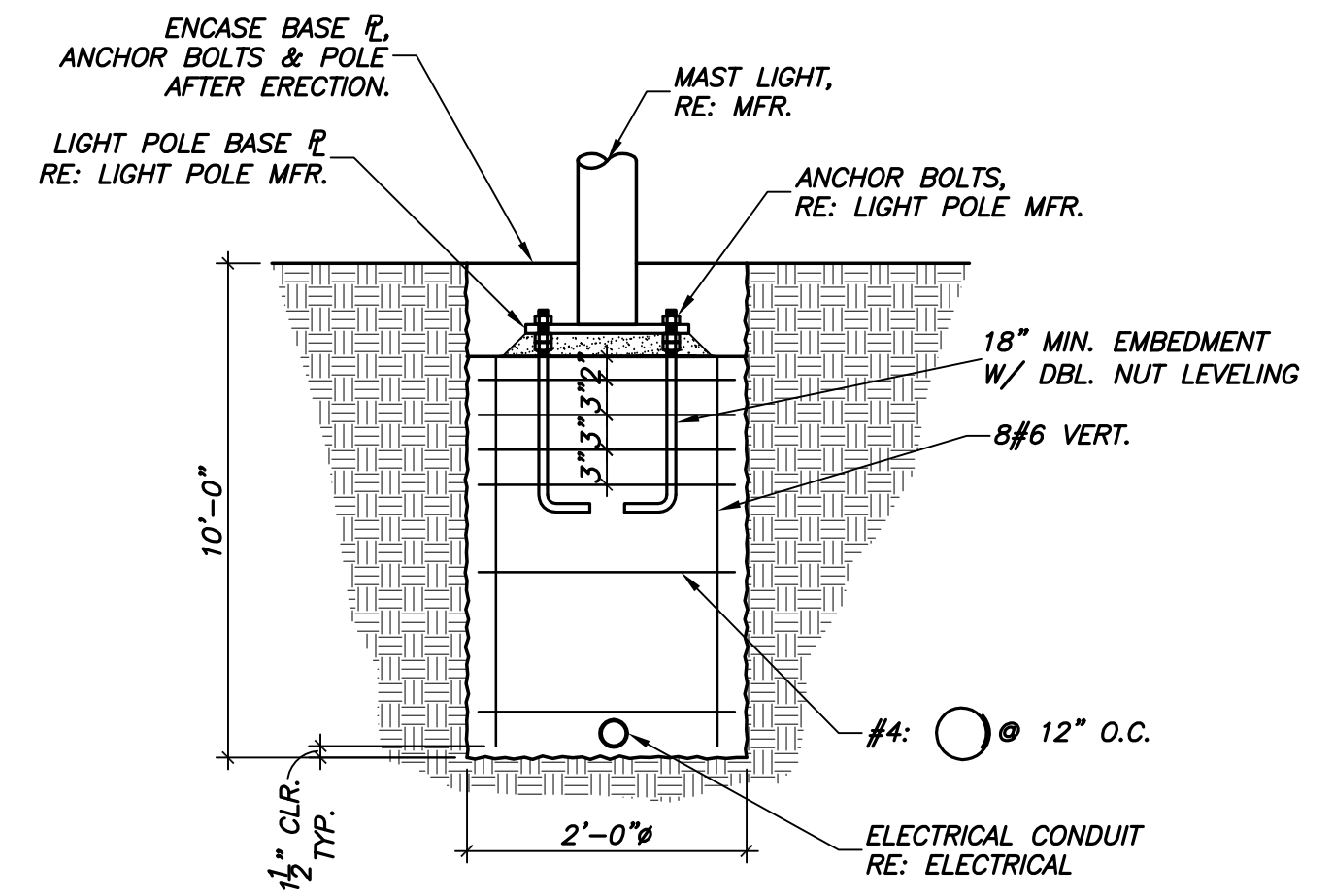


01 TYP. CORNER BAR DET.
N.T.S.

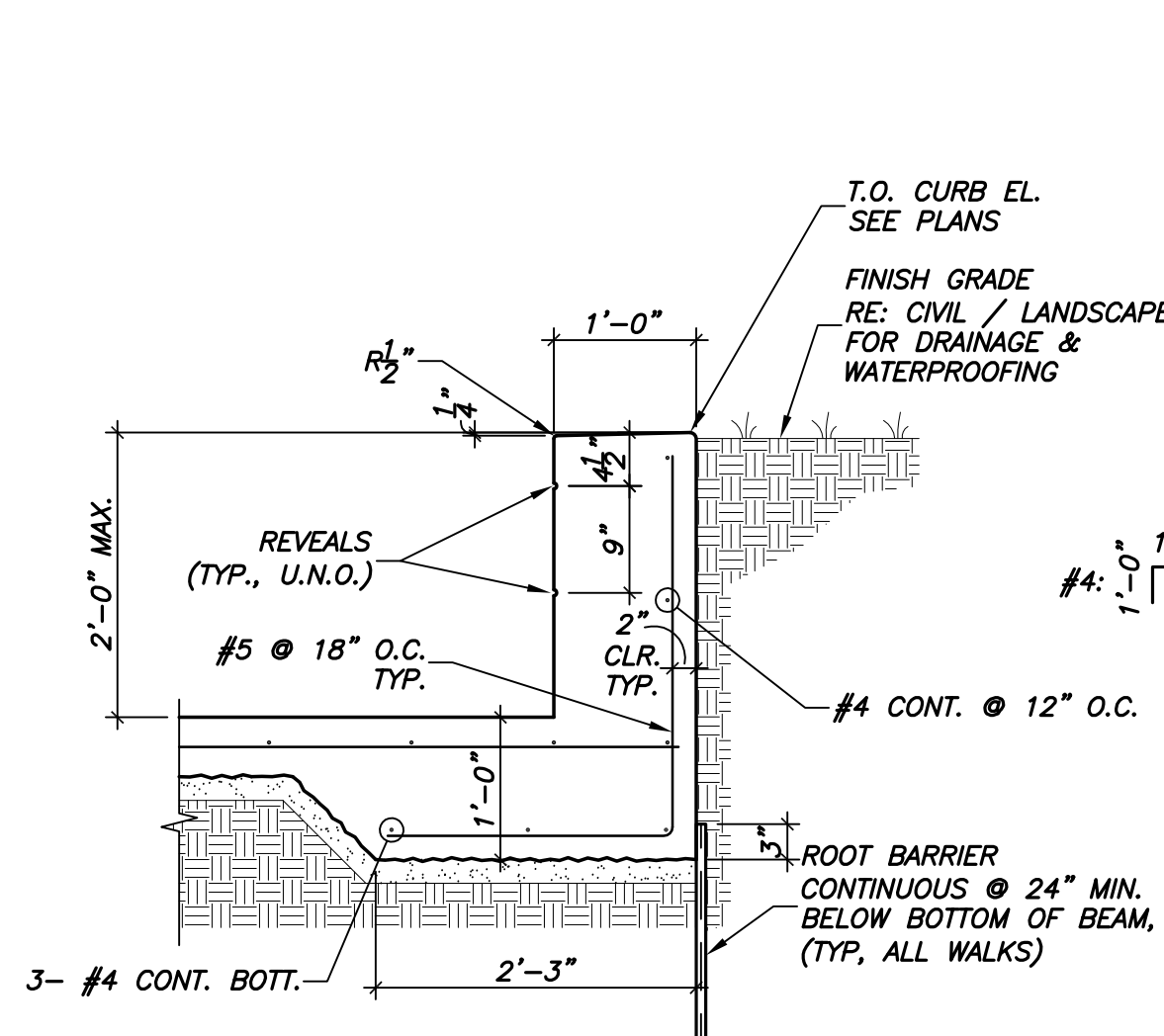


02 TYP. FLUME DETAIL
N.T.S.

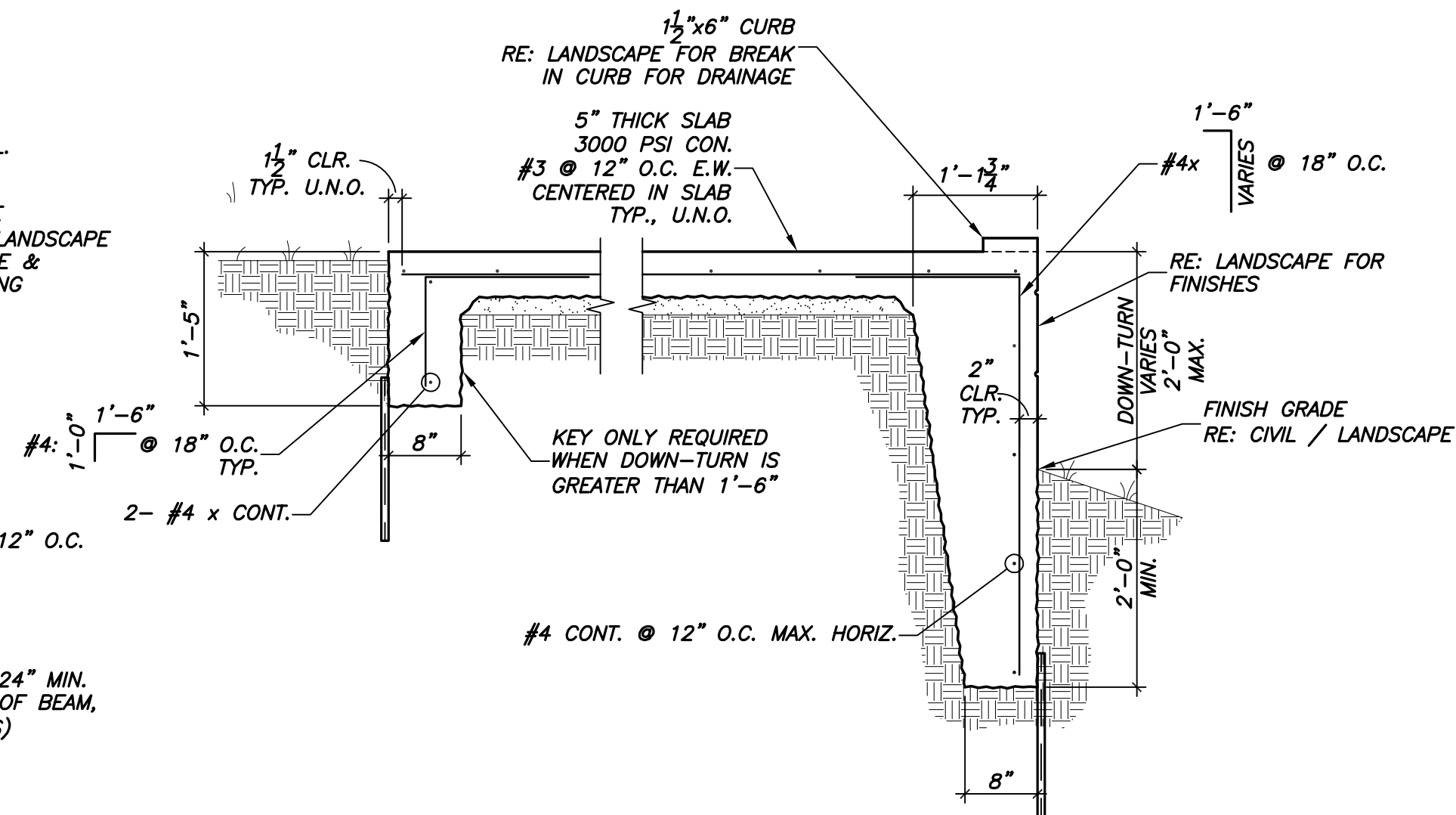
03 TYP. LAKE EDGE WALL TO OTHER STRUCTURE CONNECTION DETAIL
N.T.S.



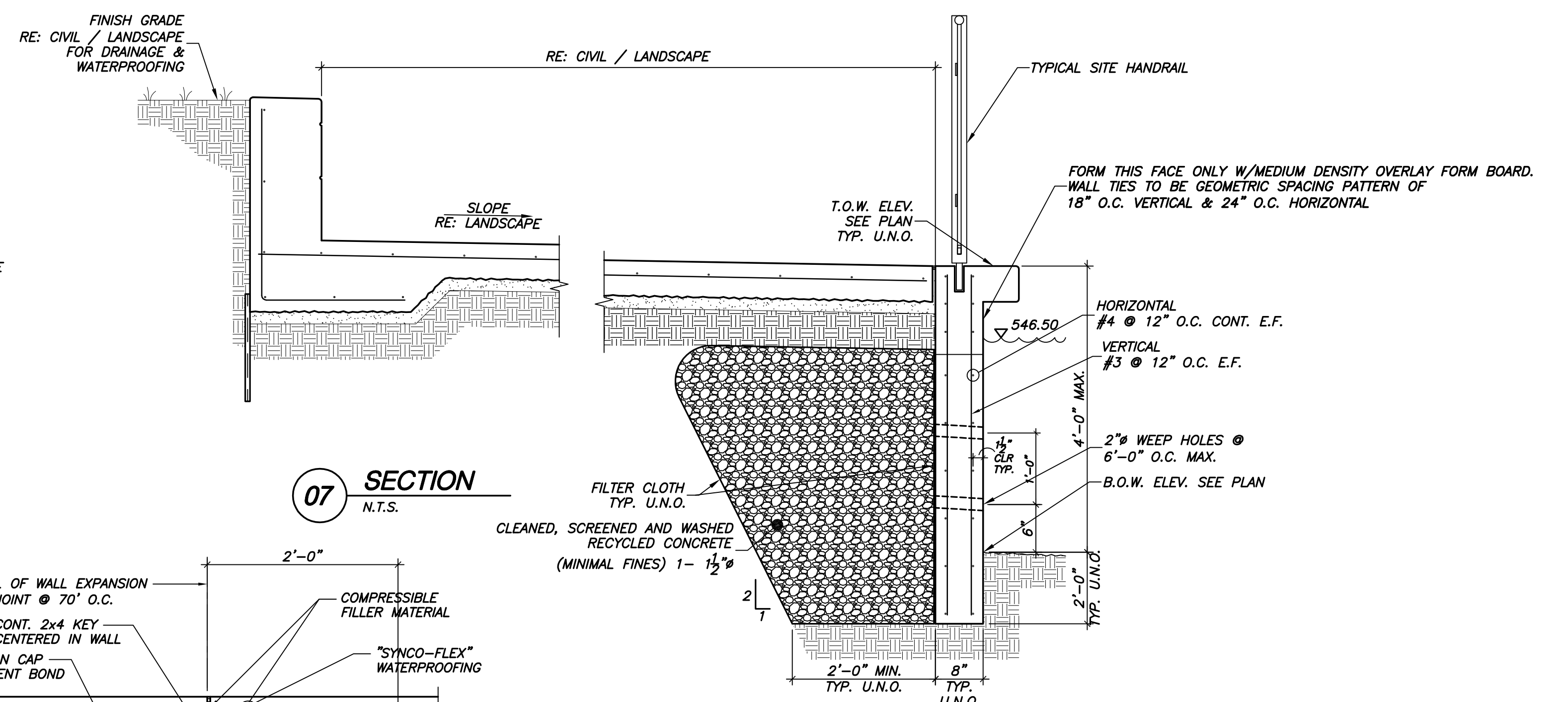
04 TYP. LIGHT POLE BASE FOR POLES 10' THRU 20'
N.T.S.



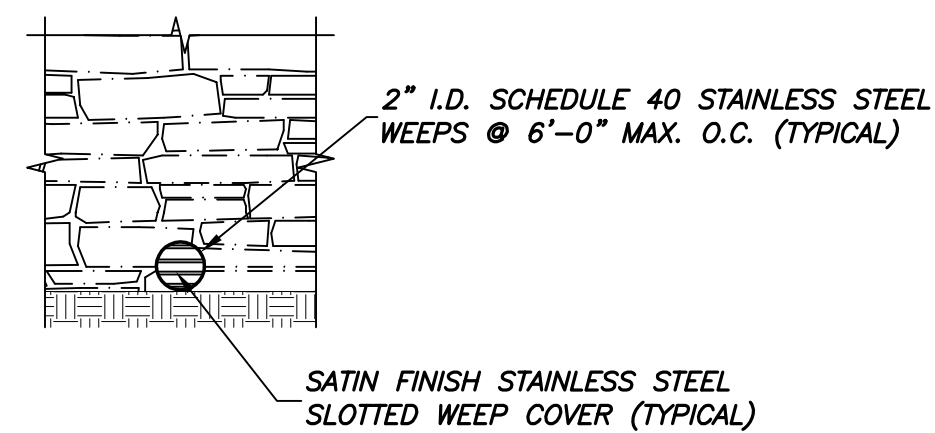
05 TYP. SIDEWALK UP-TURN CURB DETAIL
N.T.S.



06 TYP. SIDEWALK DOWN-TURN CURB DETAIL
N.T.S.

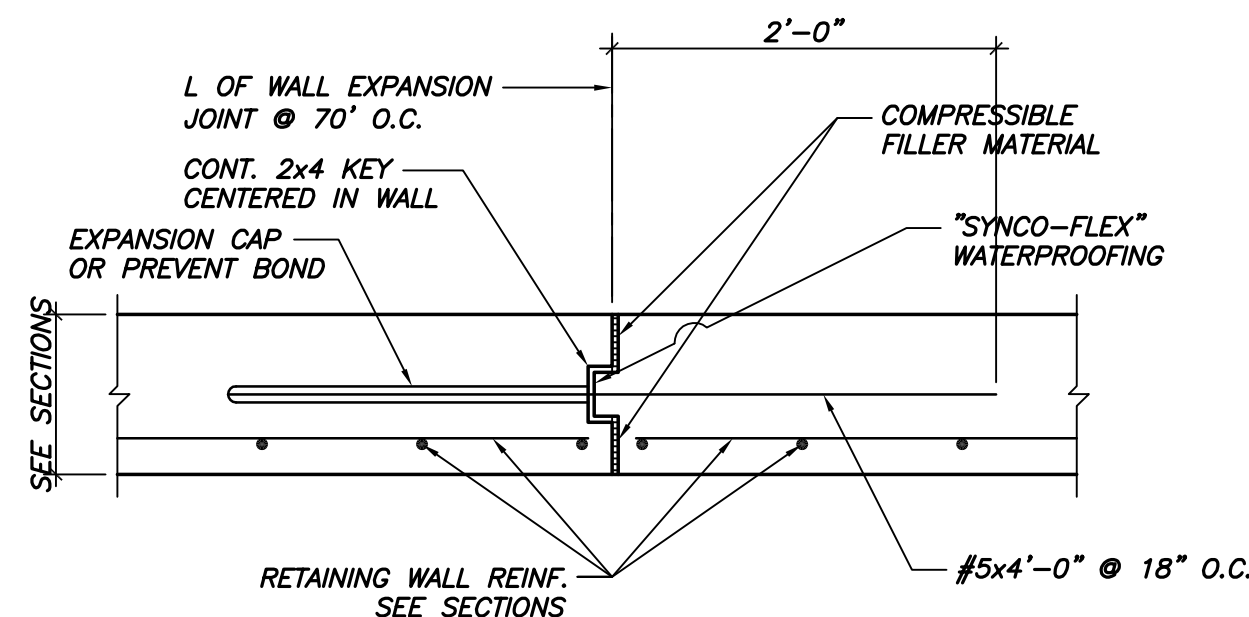


07 SECTION
N.T.S.

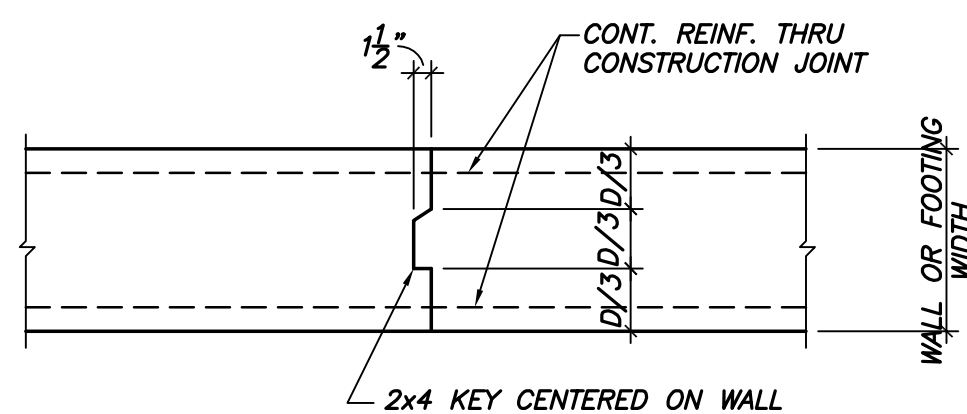


08 TYP. WEEP & WEEP COVER DETAIL
N.T.S.

NOT USED



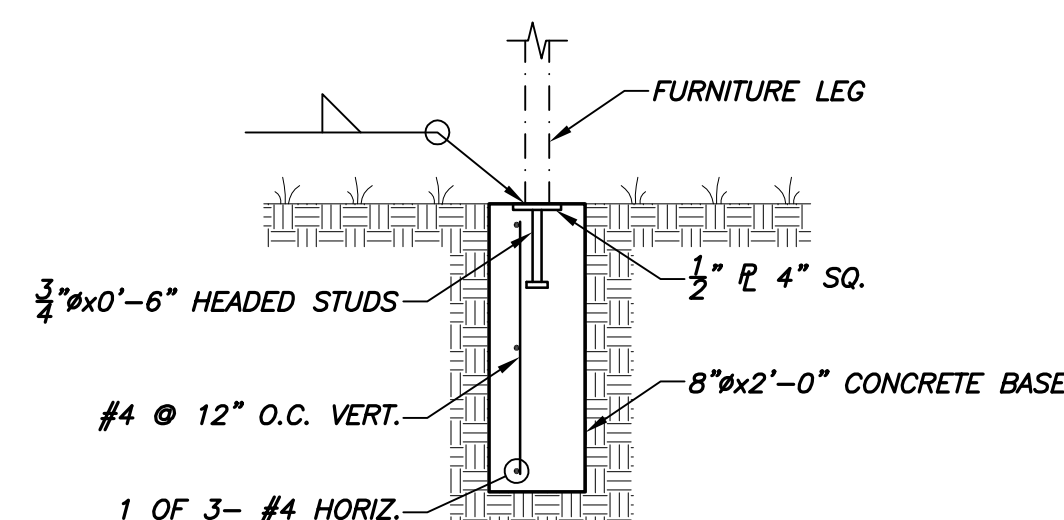
12 PLAN VIEW SECTION TYP. RETAINING WALL EXPANSION JOINT DETAIL
N.T.S.



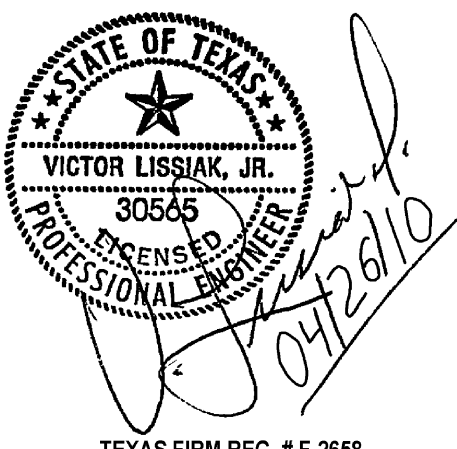
09 PLAN VIEW SECTION TYP. WALL OR FOOTING CONSTRUCTION JOINT DETAIL
N.T.S.

10 PLAN VIEW SECTION TYP. RETAINING WALL CONTROL JOINT DETAIL
N.T.S.

NOT USED



13 ELEVATION VIEW TYP. RETAINING WALL CONTROL JOINT DETAIL
N.T.S.



TEXAS FIRM REG. # F-2658

ISSUED FOR CONSTRUCTION 04/26/10

NO.	REVISION	BY	DATE
ADDISON! TOWN OF ADDISON DALLAS COUNTY, TEXAS PARK AND STREETScape IMPROVEMENTS VITRUVIAN PARK SECTIONS & DETAILS			
VIEWTECH INC. Structural Engineers 4205 Beltway Dr. - Addison, Texas 75001 (972) 661-8187 Fax (972) 661-8172			
PROJECT	DESIGN	DRAWN	DATE
5029-01	VL	NERF	APRIL 26 2010
FILE	SHEET		
PW#2009-04	SP300		