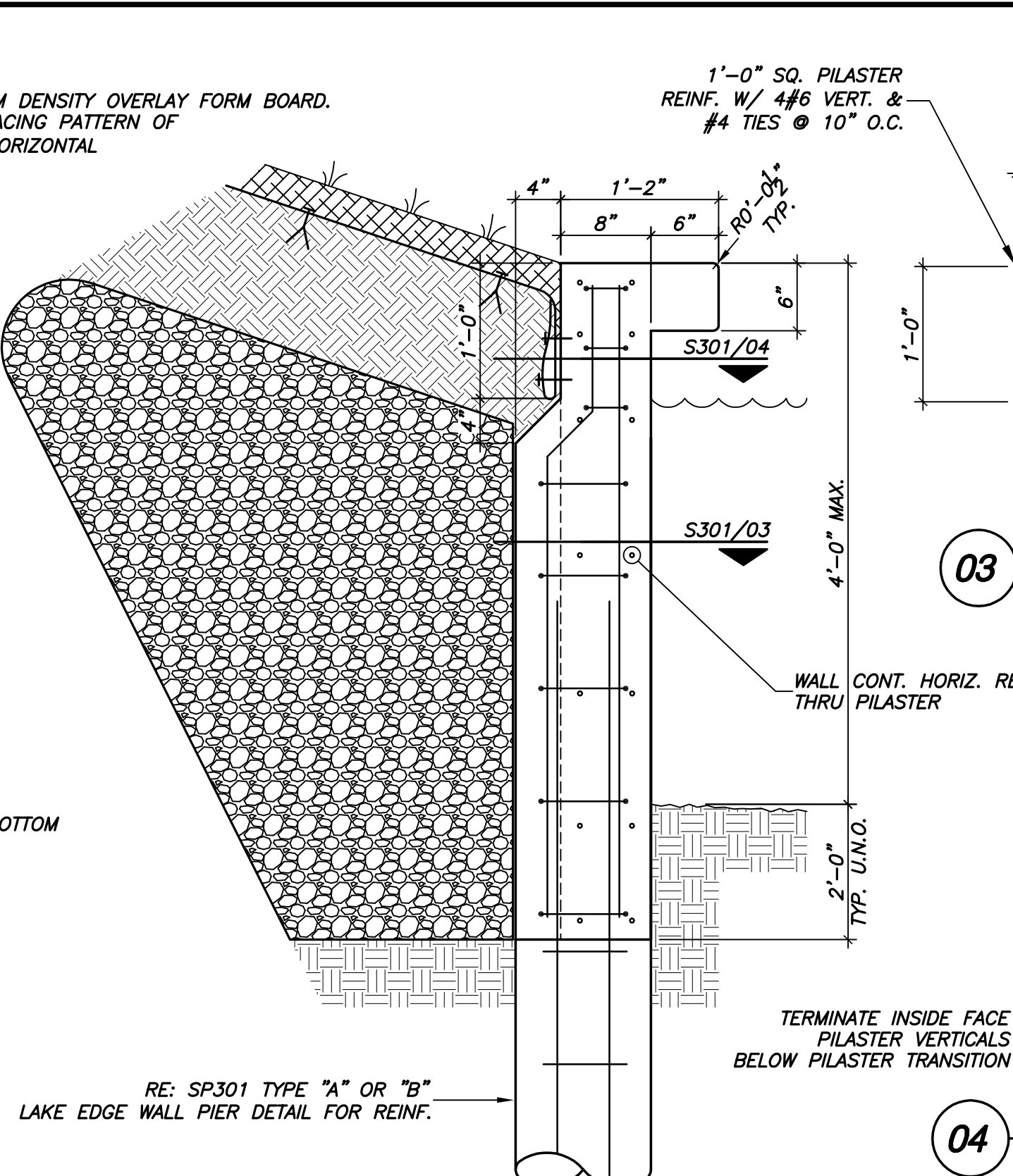
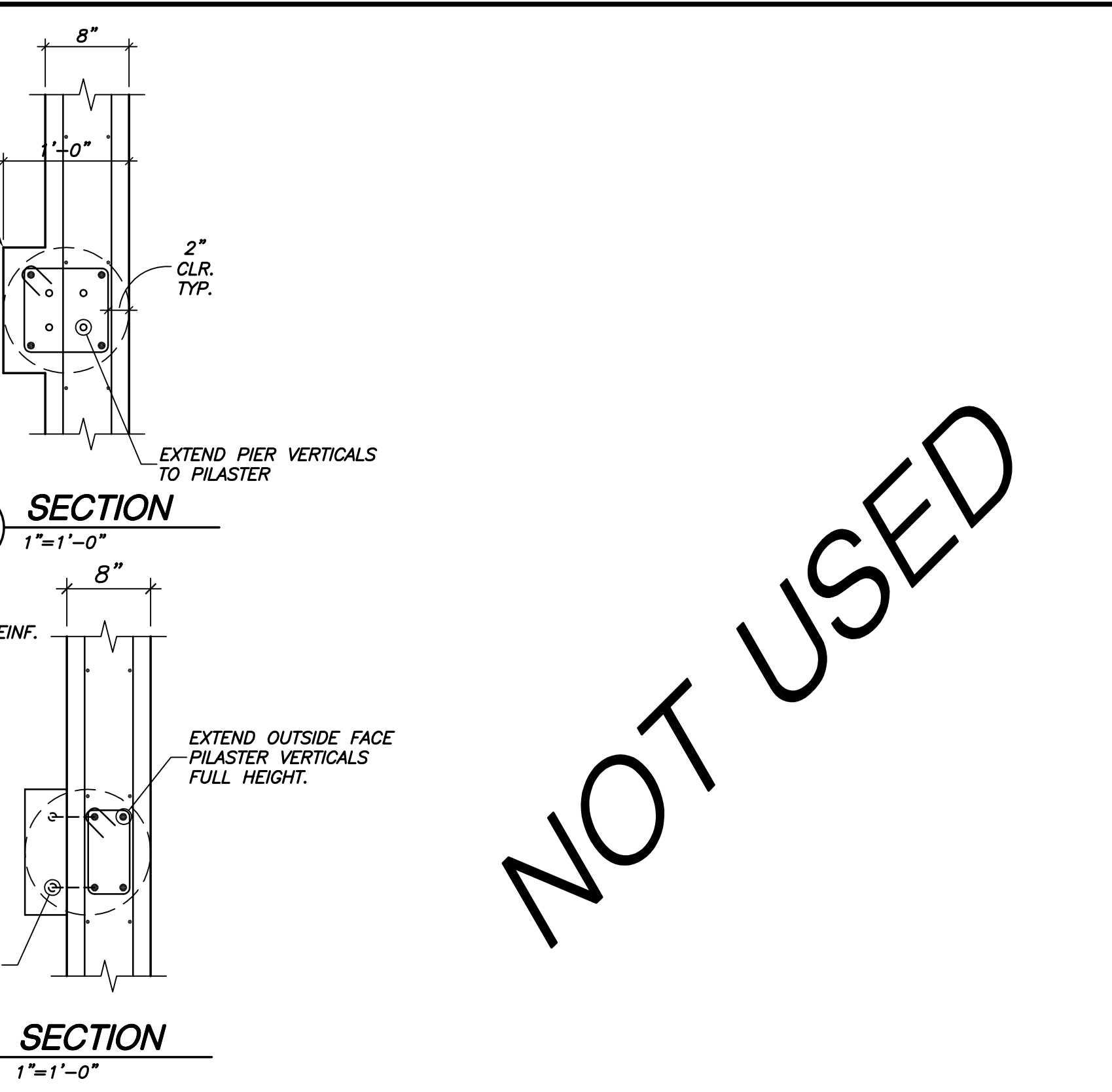


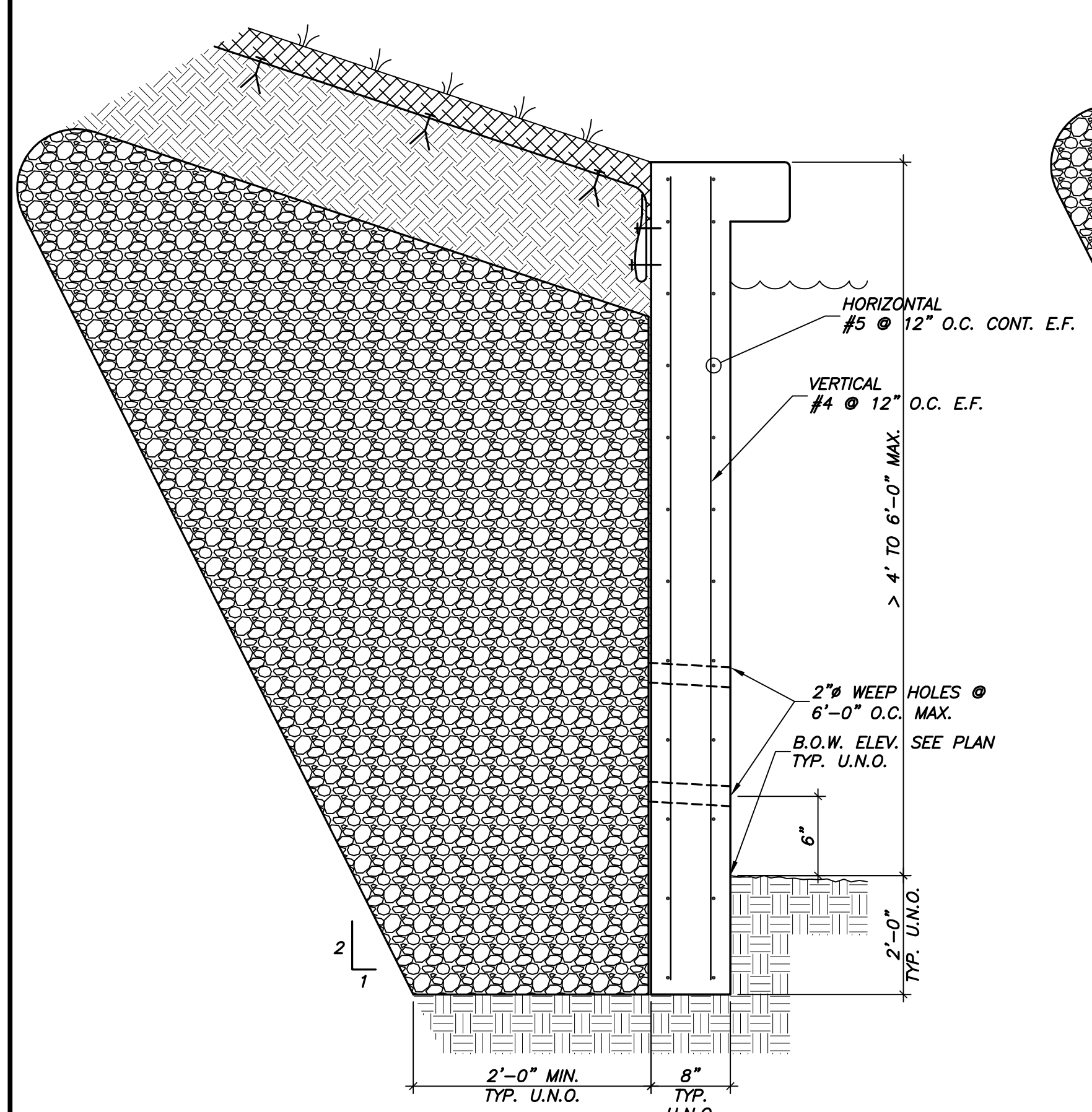
**01 LAKE EDGE WALL DETAIL
4' MAX ABOVE CREEK BOTTOM**
1"=1'-0"



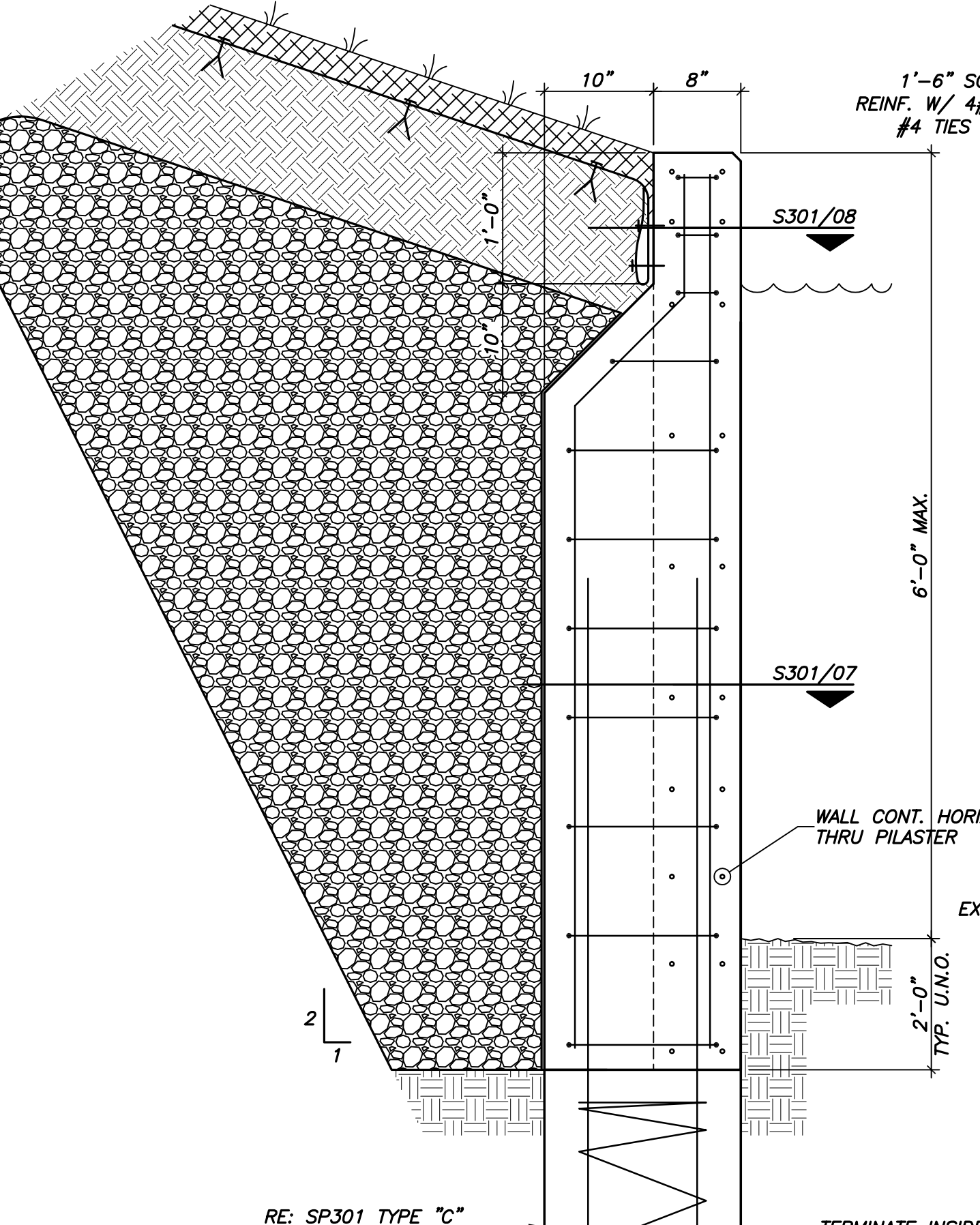
**02 LAKE EDGE WALL PILASTER
4' MAX. ABOVE CREEK BOTTOM**
1"=1'-0"



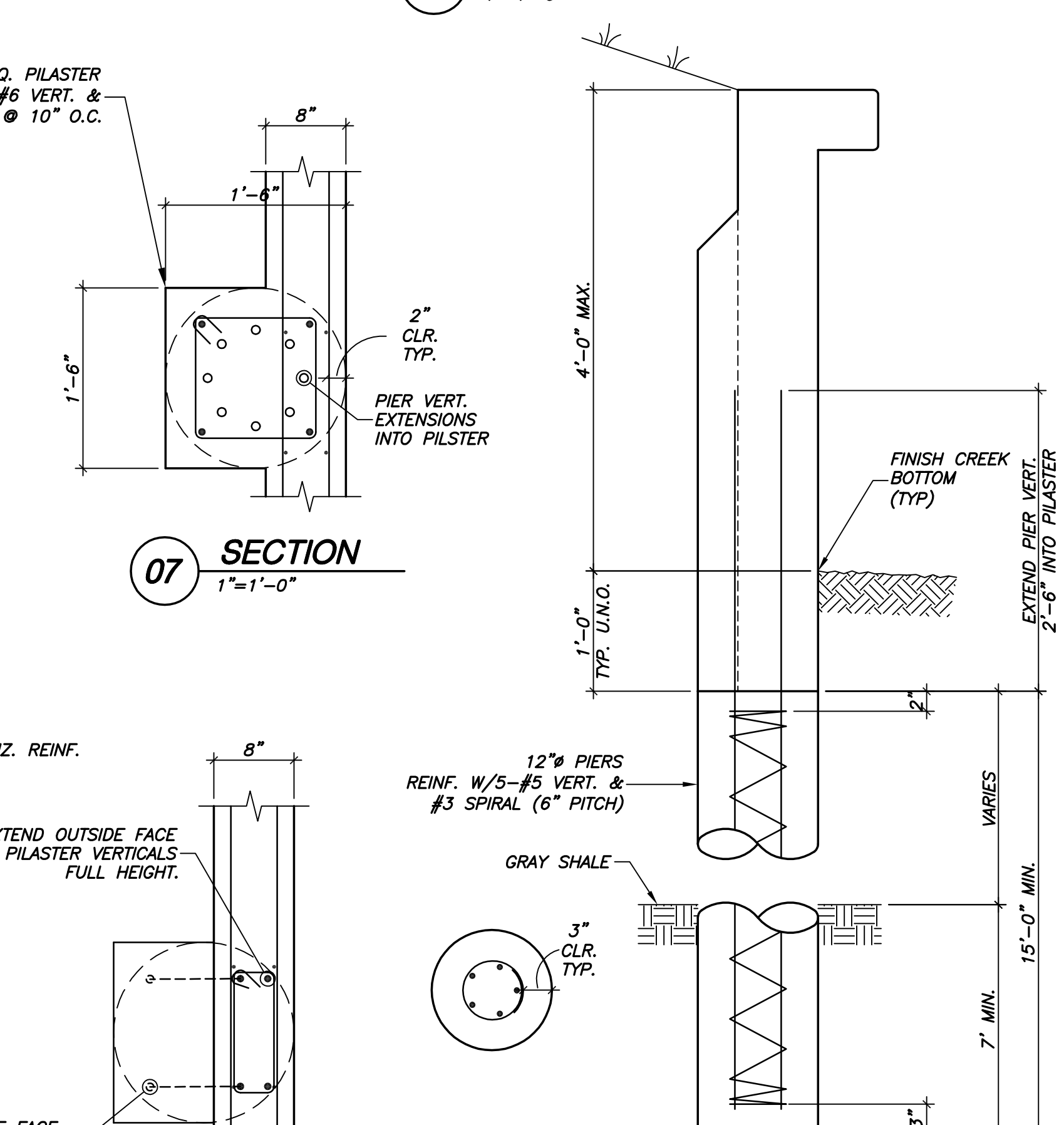
**A TYPE 'A' PIER
FOR LAKE EDGE WALL 3' AND LESS
SPACED AT 8'-0" O.C. MAX**
1"=1'-0"



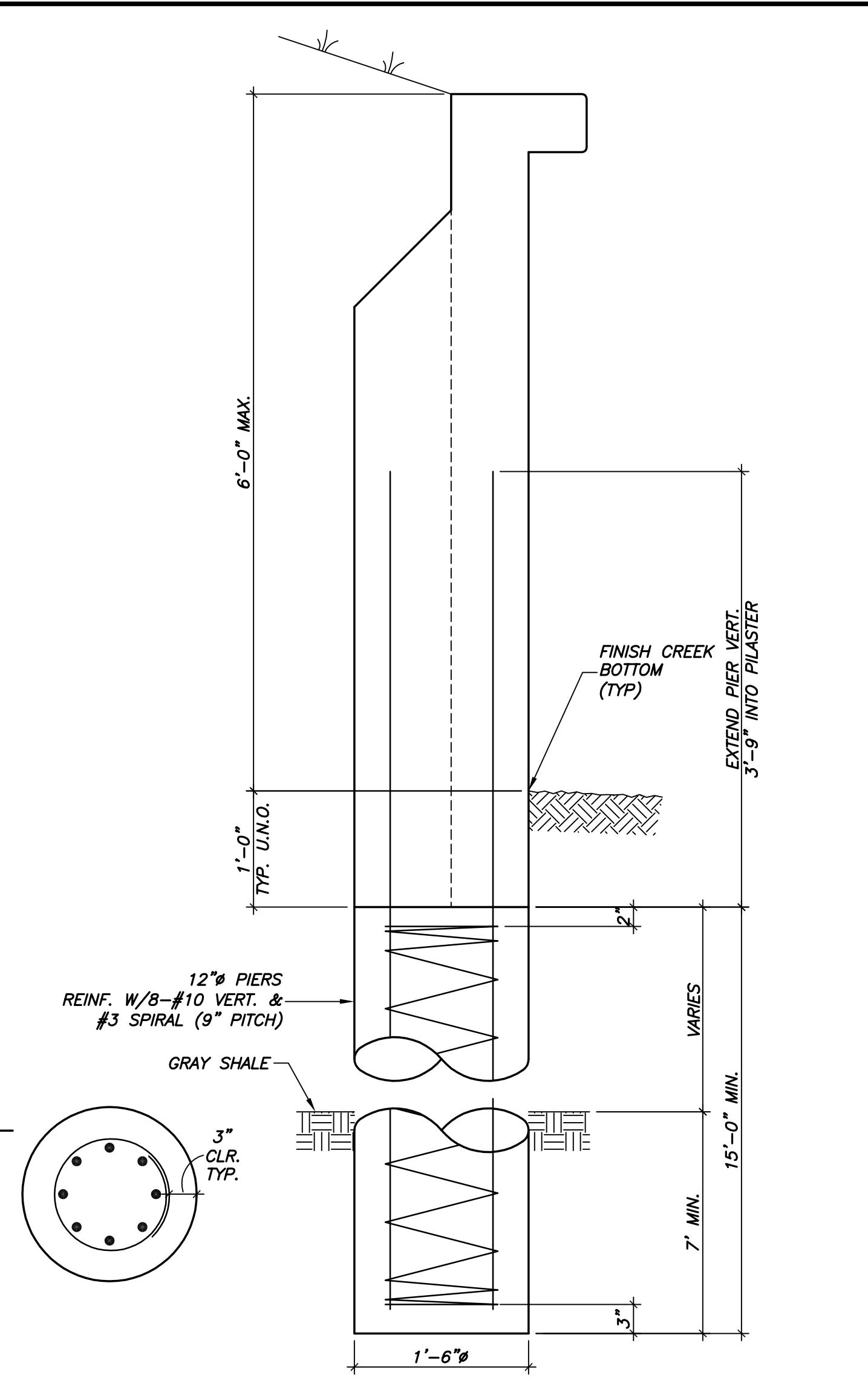
**05 LAKE EDGE WALL DETAIL
OVER 4' TO 6'-0" MAX.
ABOVE CREEK BOTTOM**
1"=1'-0"



**06 LAKE EDGE WALL PILASTER
OVER 4' TO 6'-0" MAX.**
1"=1'-0"

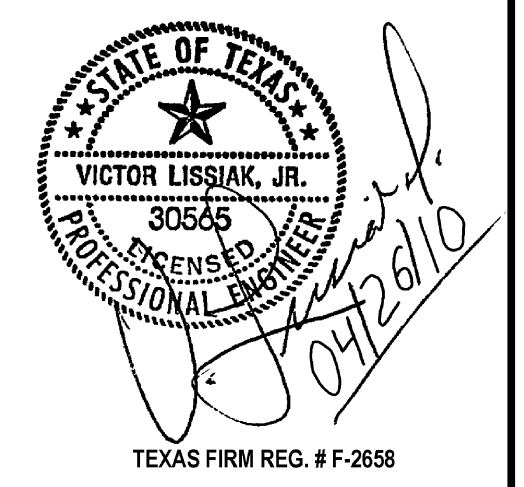


**B TYPE 'B' PIER
FOR LAKE EDGE WALL 3' TO 4' MAX.
SPACED AT 6'-0" O.C. MAX**
1"=1'-0"



**C TYPE 'C' PIER
FOR LAKE EDGE WALL 4' TO 6'-0" MAX.
SPACED AT 6'-0" O.C. MAX**
1"=1'-0"

NOT USED



ISSUED FOR CONSTRUCTION 04/26/10

NO.	REVISION	BY	DATE
VIEWTECH INC. Structural Engineers 4205 Beltway Dr. - Addison, Texas 75001 (972) 661-8187 Fax (972) 661-8172			
PROJECT	DESIGN	DRAWN	DATE
5029-01	VL	NERF	APRIL 26 2010
FILE			SHEET
PW#2009-04			SP301