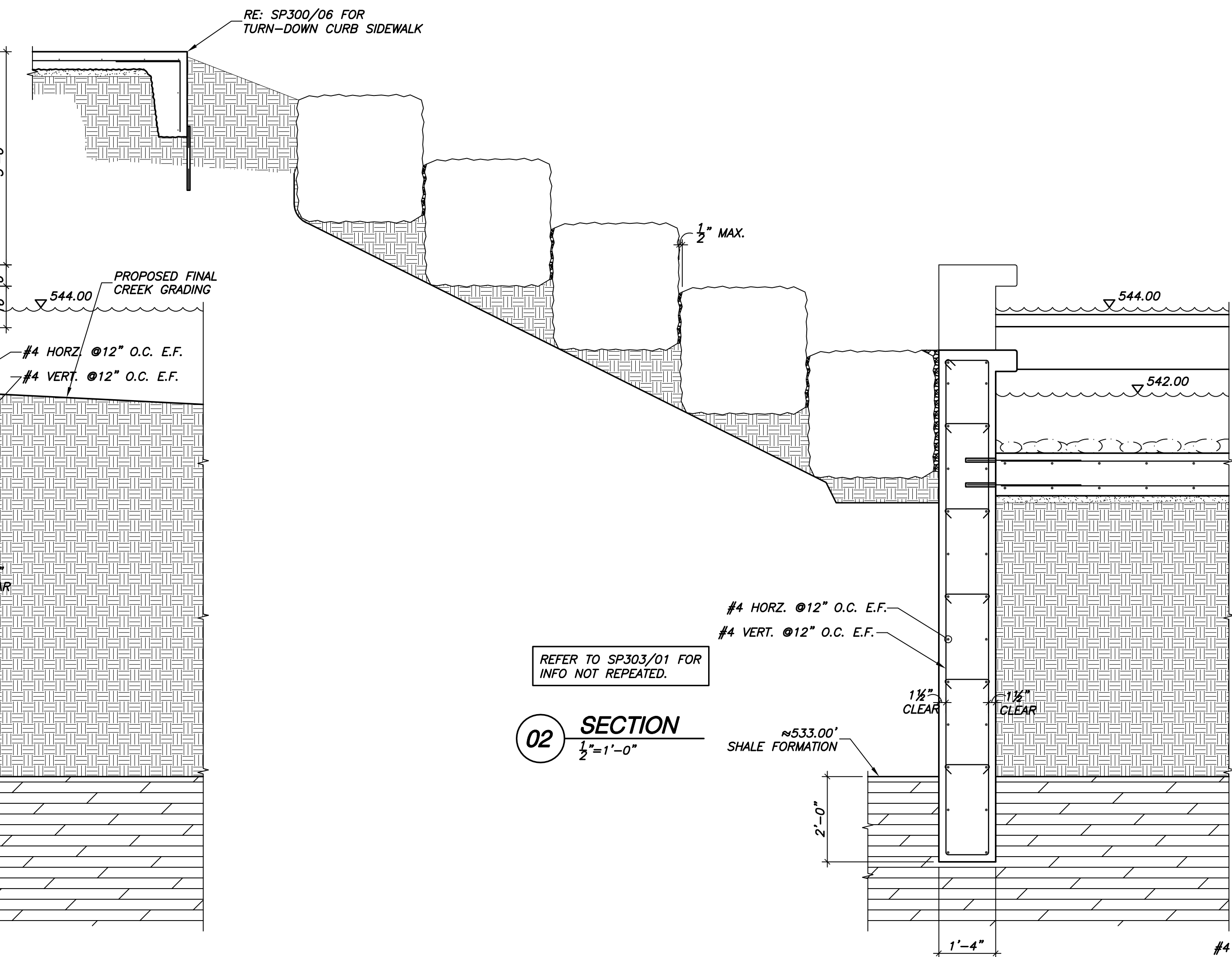
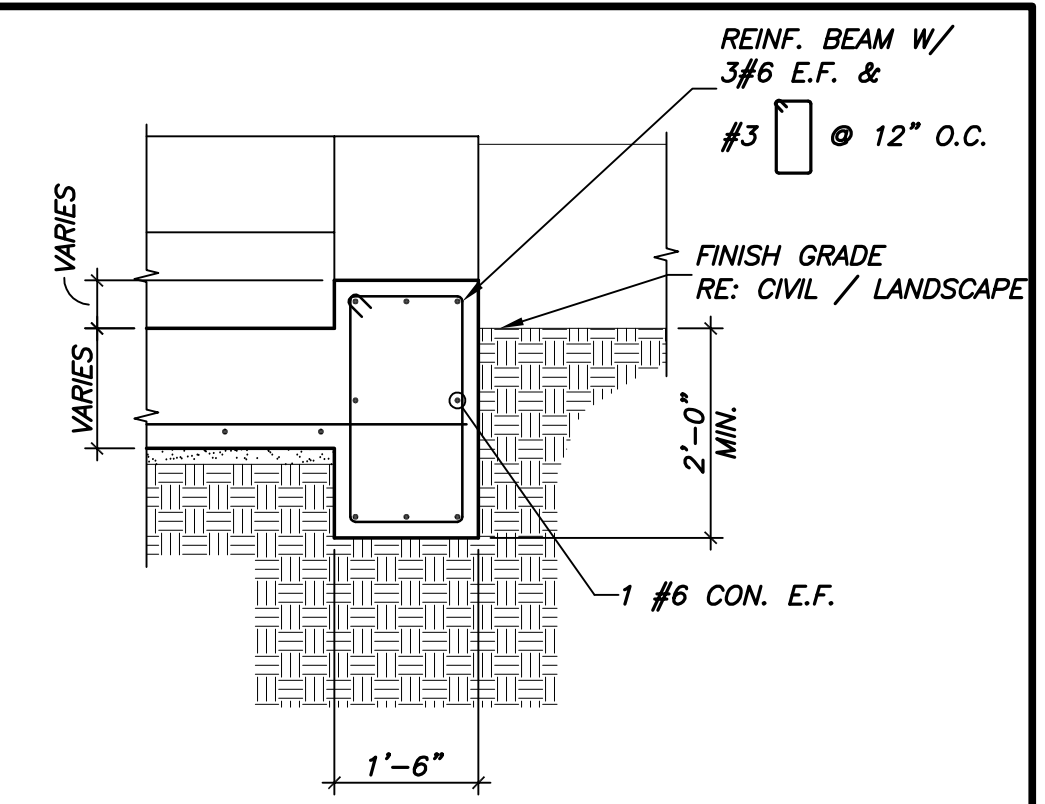


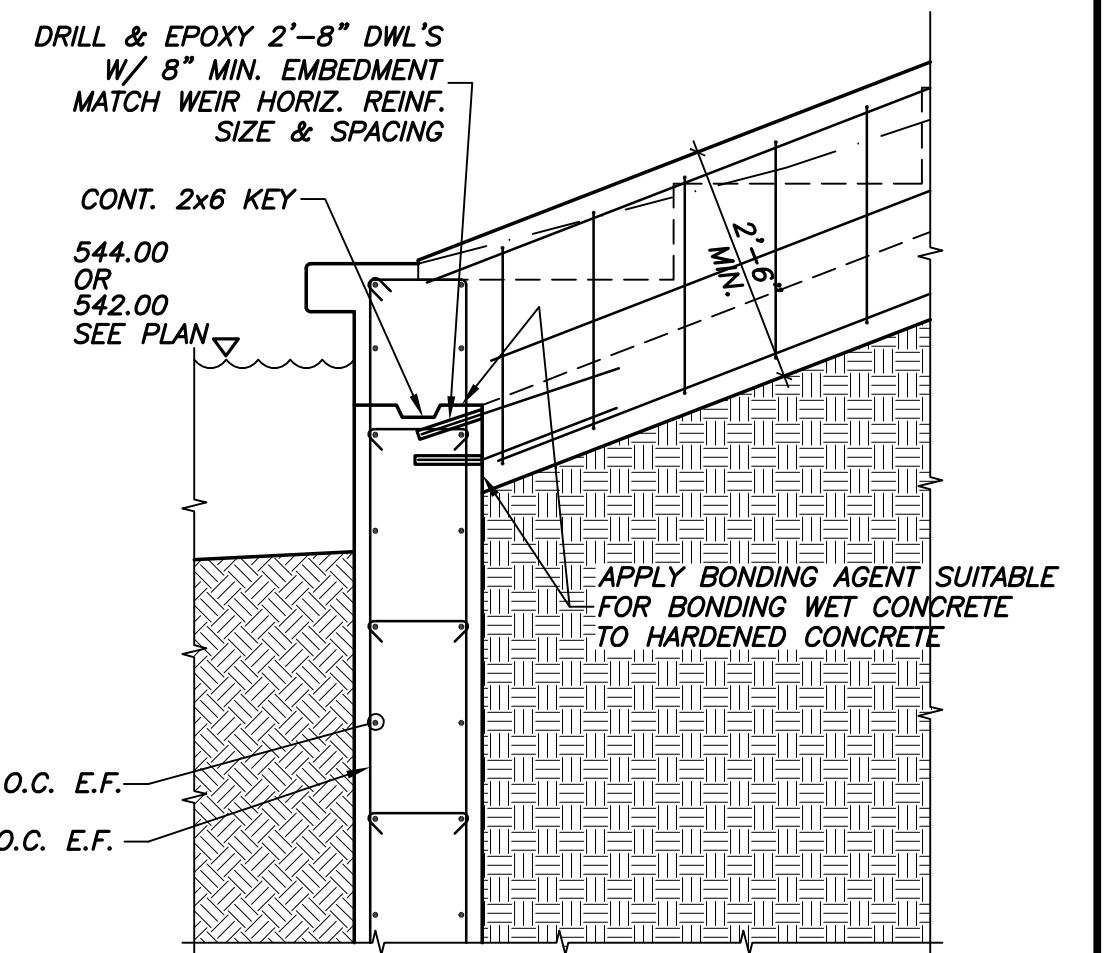
**01 SECTION**  
1/2"=1'-0"



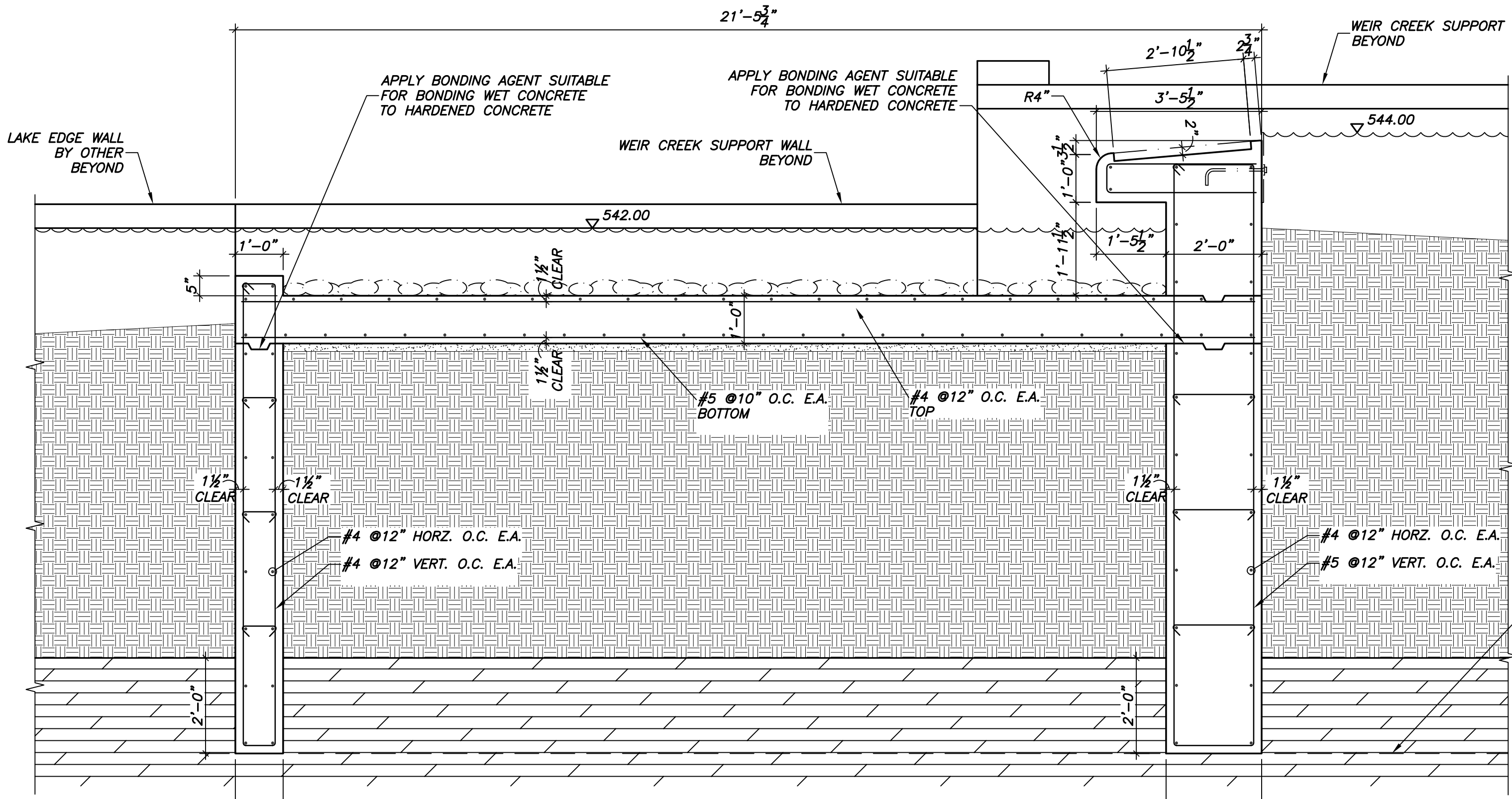
**02 SECTION**  
1/2"=1'-0"



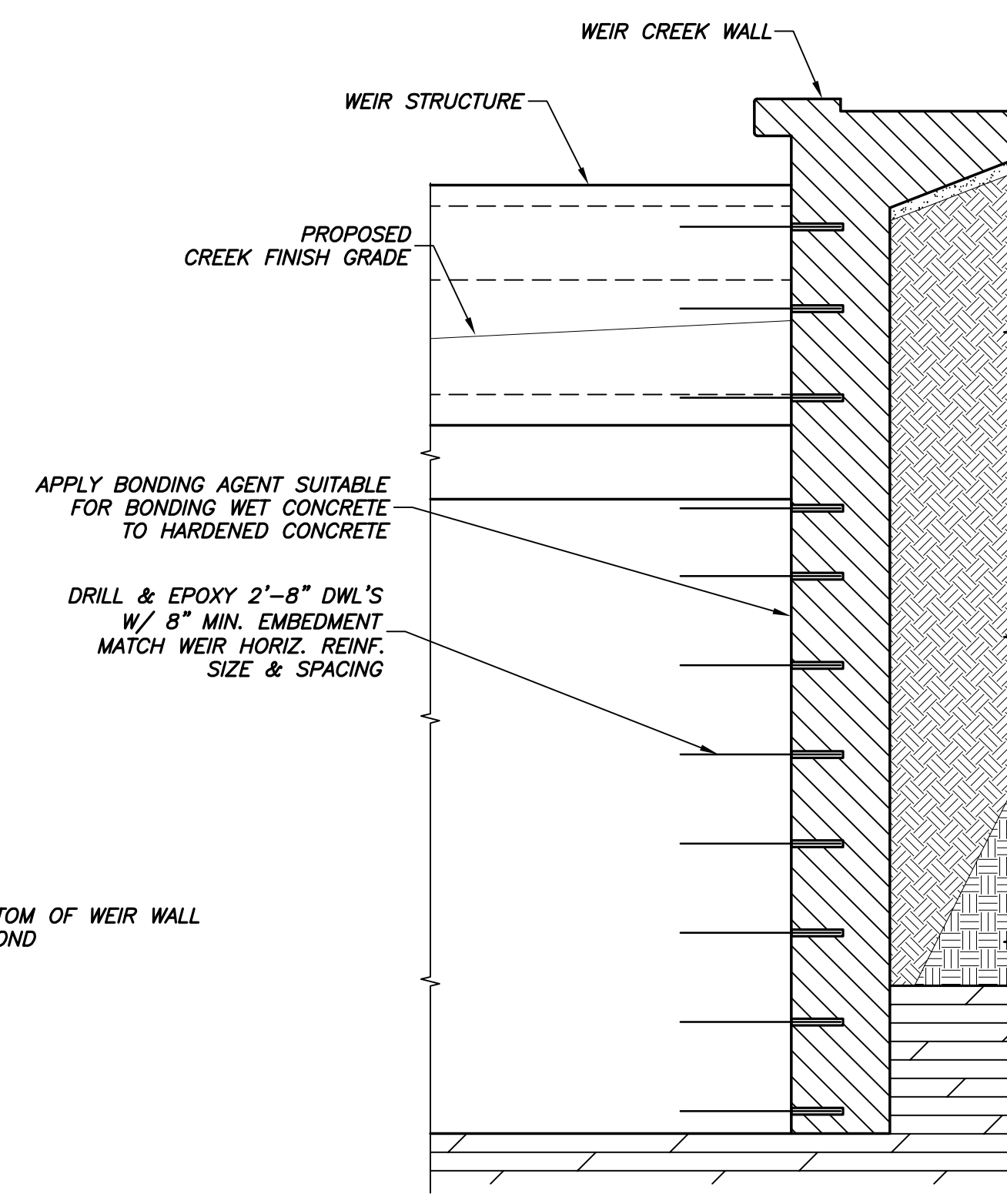
**03 SECTION**  
1/2"=1'-0"



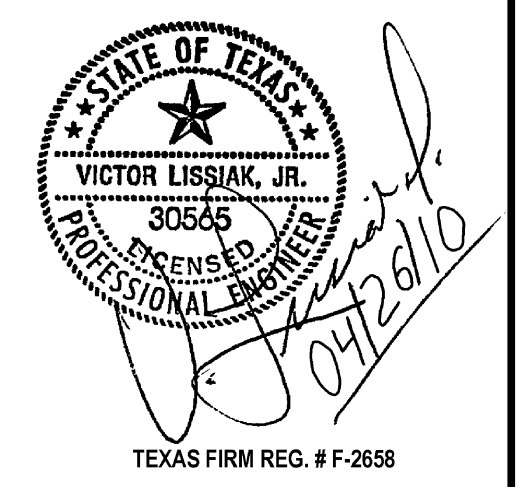
**04 SECTION**  
1/2"=1'-0"



**05 SECTION**  
1/2"=1'-0"



**06 SECTION**  
1/2"=1'-0"



ISSUED FOR CONSTRUCTION 04/26/10

NO.	REVISION	BY	DATE

**TOWN OF ADDISON**  
DALLAS COUNTY, TEXAS

**PARK AND STREETSCAPE IMPROVEMENTS**  
VITRUVIAN PARK

**SECTIONS & DETAILS**

**VIEWTECH INC.** Structural Engineers  
4205 Beltway Dr. - Addison, Texas 75001  
(972) 661-8187 Fax (972) 661-8172

PROJECT	DESIGN	DRAWN	DATE	FILE	SHEET
5029-01	VL	NERF	APRIL 26 2010	PW#2009-04	SP303