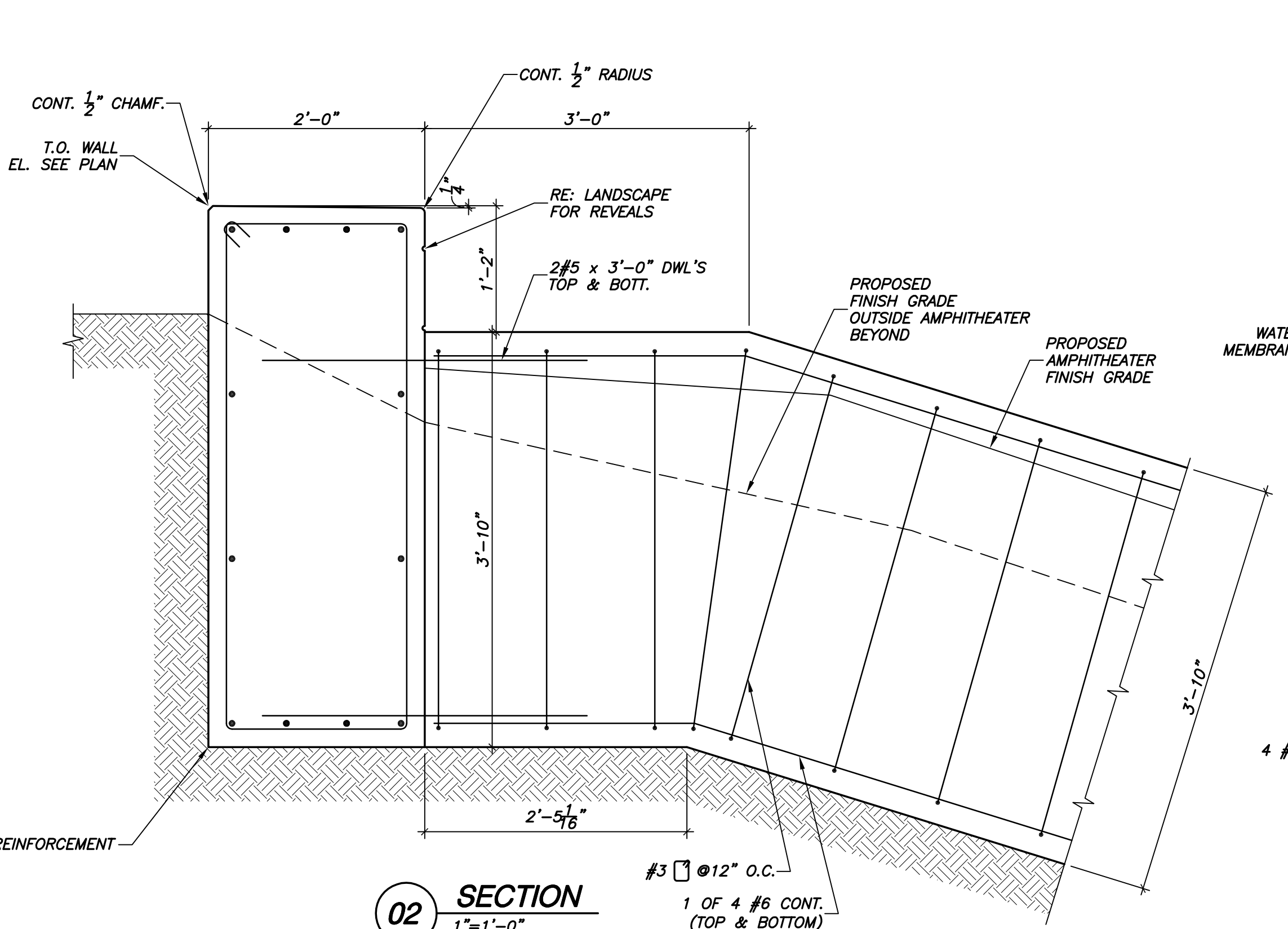
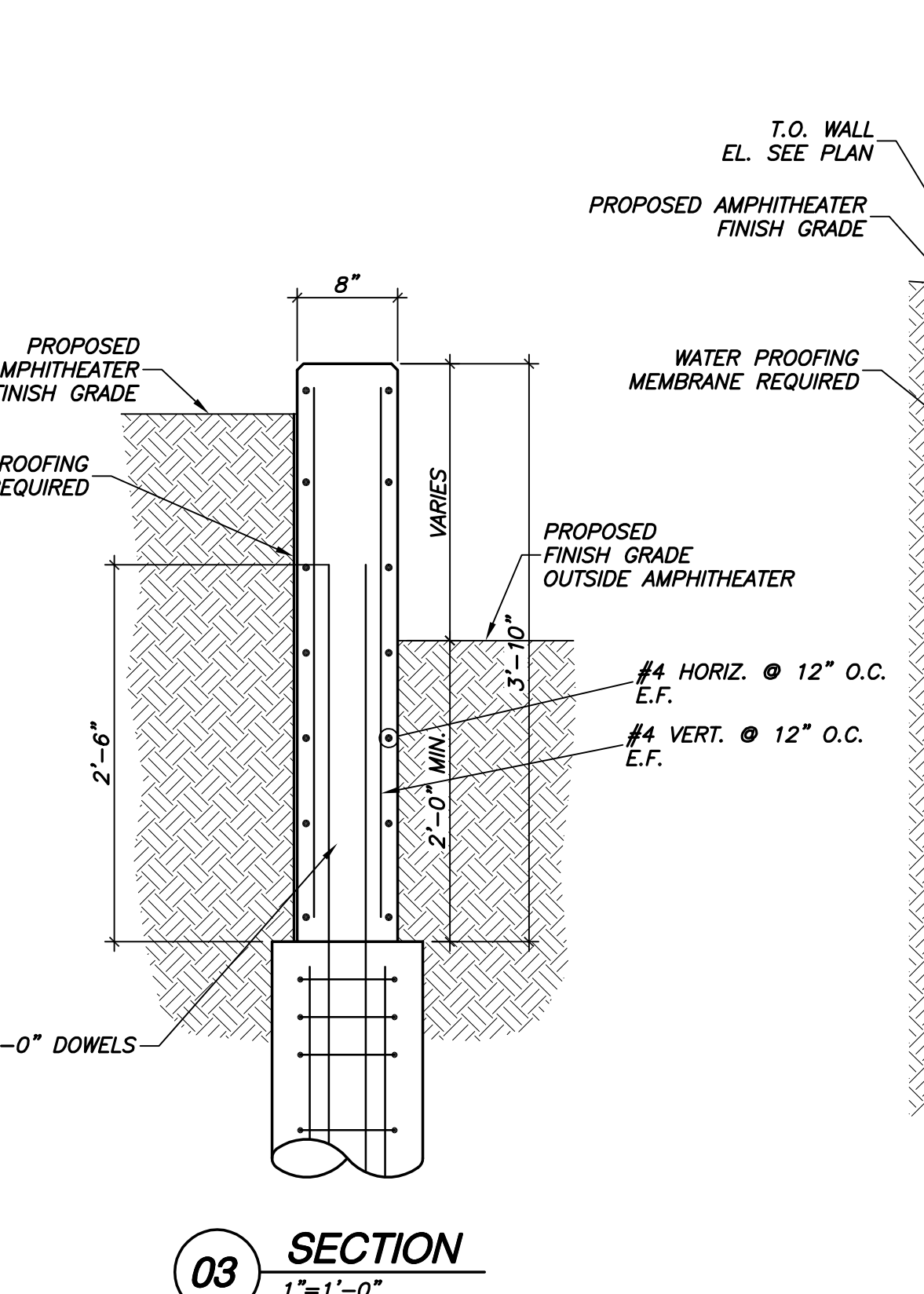


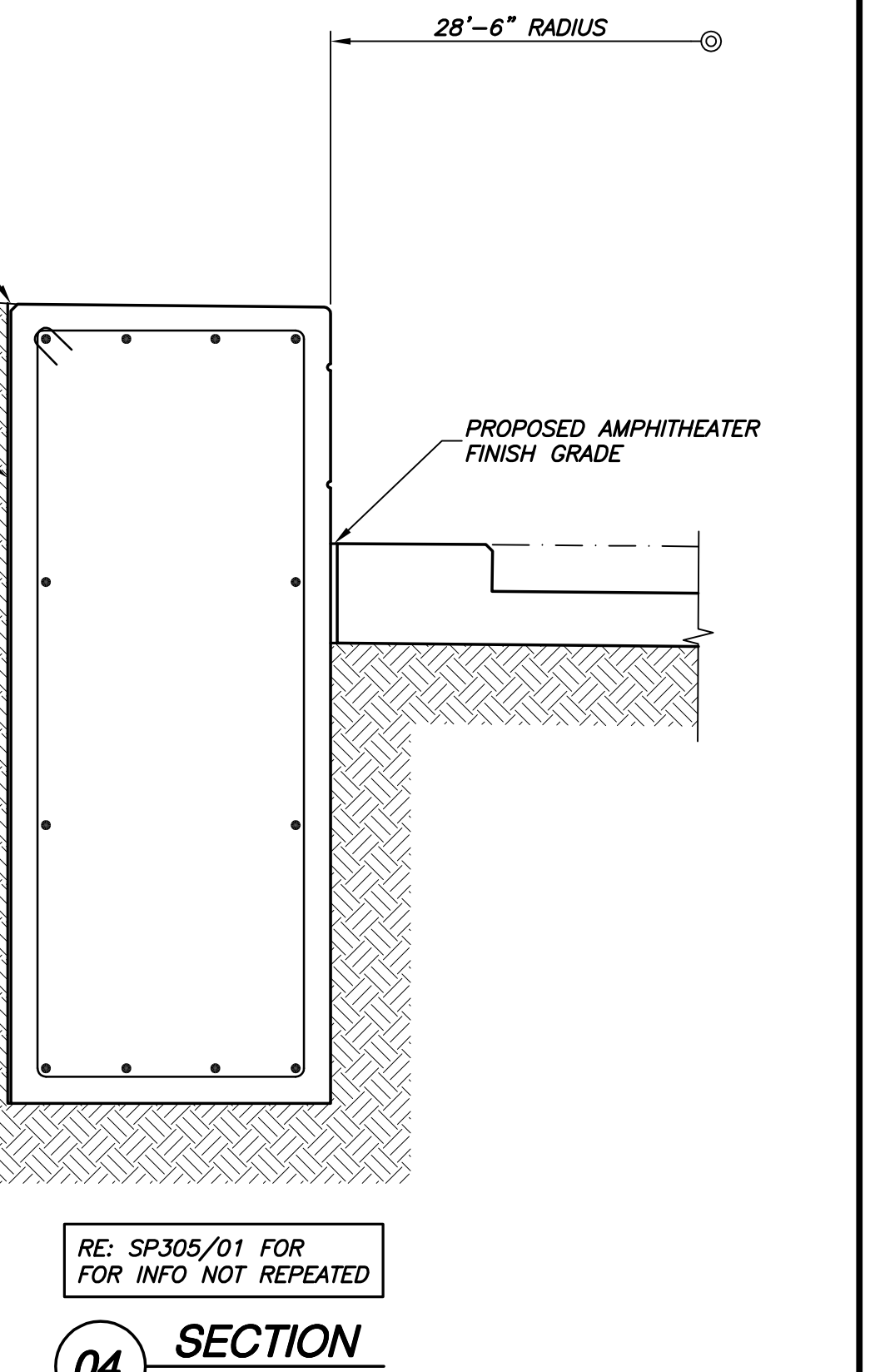
**01 SECTION**  
1"=1'-0"



**02 SECTION**  
1"=1'-0"

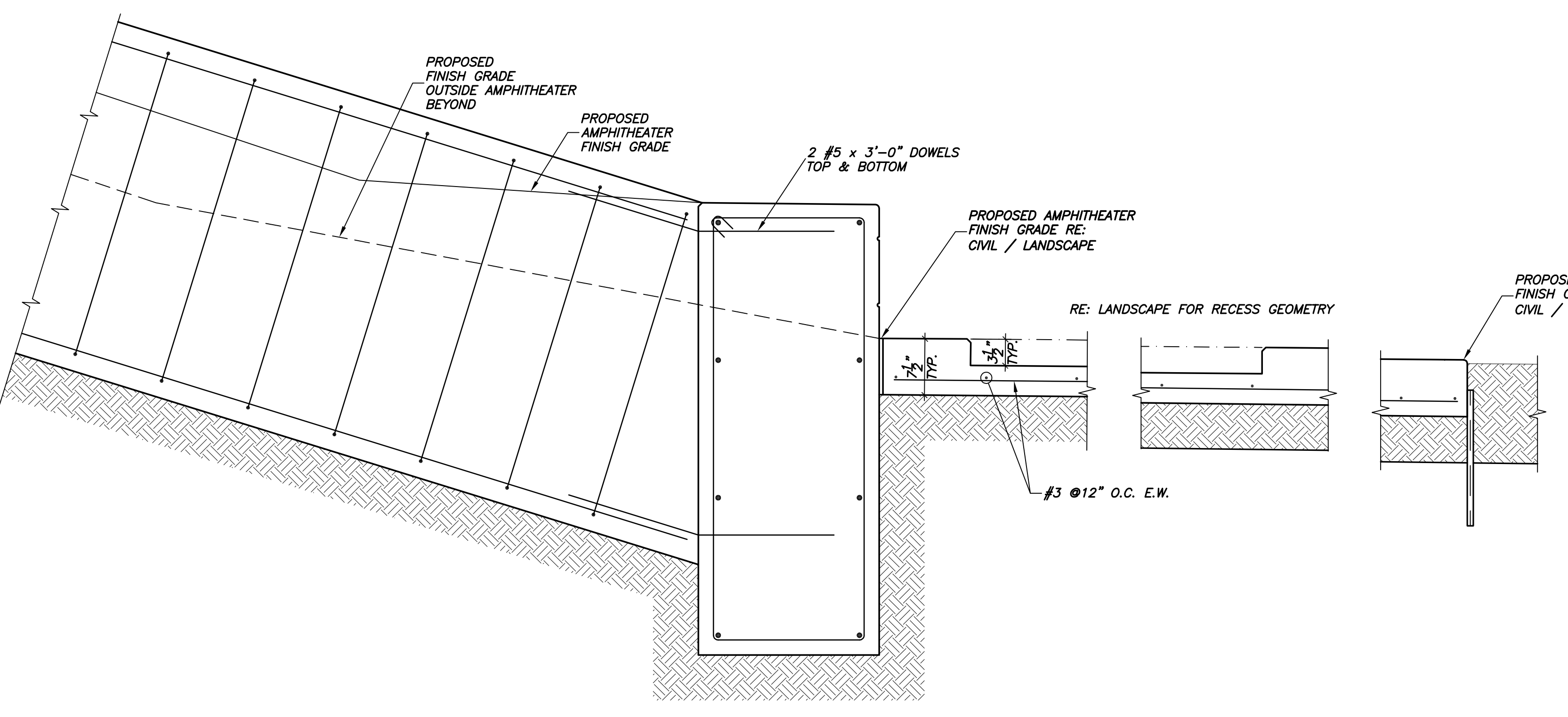


**03 SECTION**  
1"=1'-0"



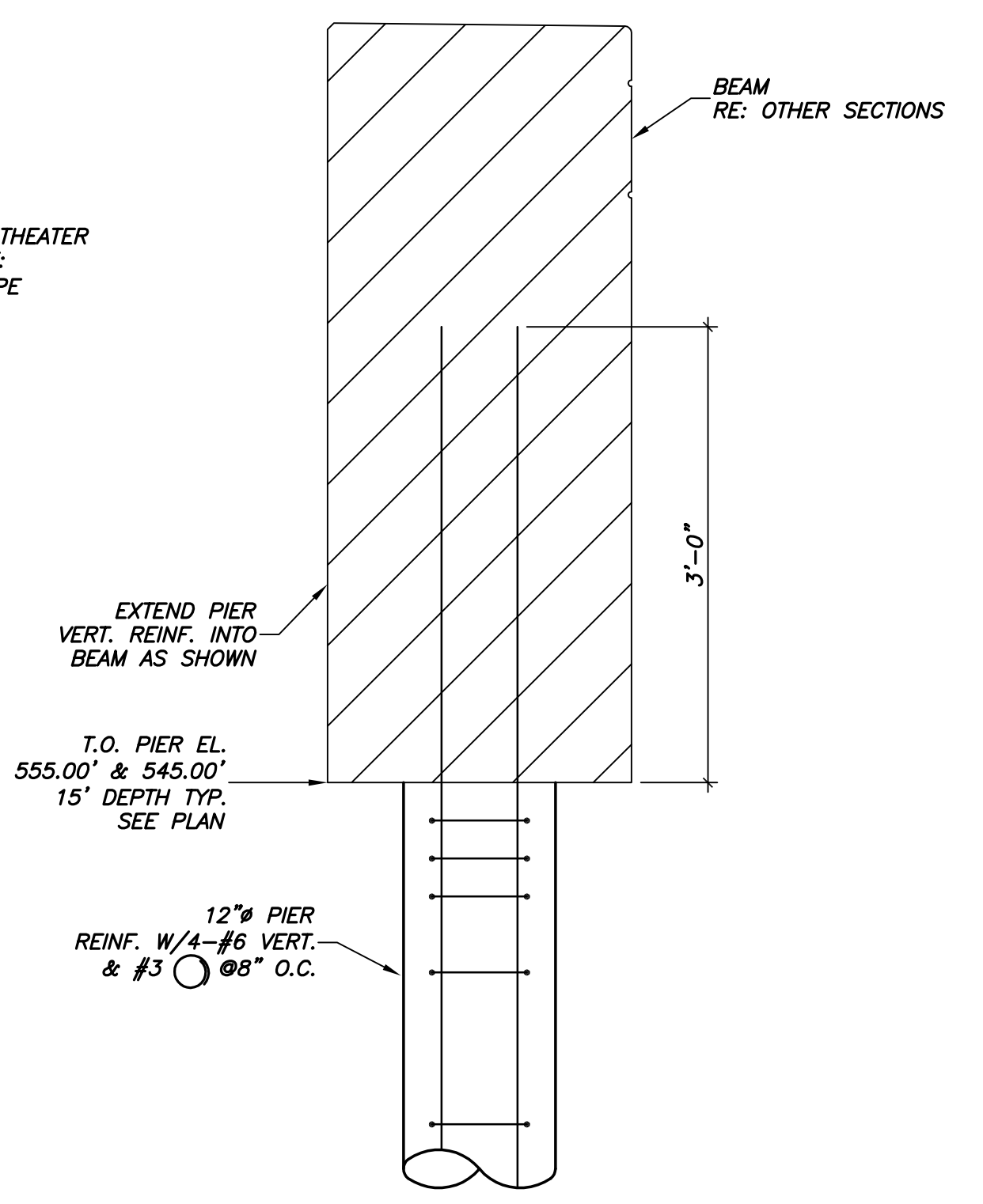
RE: SP305/01 FOR FOR INFO NOT REPEATED

**04 SECTION**  
1"=1'-0"

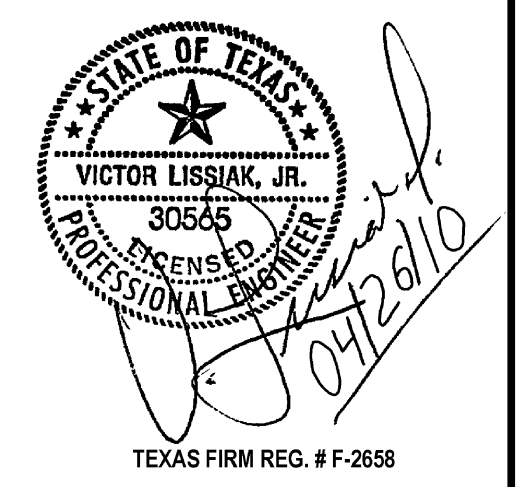


RE: SP305/01 & 02 FOR INFO NOT REPEATED

**05 SECTION**  
1"=1'-0"



**06 DETAIL**  
1"=1'-0"



TEXAS FIRM REG. # F-2658

ISSUED FOR CONSTRUCTION 04/26/10

NO.	REVISION	BY	DATE
<b>TOWN OF ADDISON</b> DALLAS COUNTY, TEXAS <b>PARK AND STREETScape IMPROVEMENTS</b> VITRUVIAN PARK <b>SECTIONS &amp; DETAILS</b>			
<b>VIEWTECH INC.</b> Structural Engineers		4205 Beltway Dr. - Addison, Texas 75001 (972) 661-8187 Fax (972) 661-8172	
PROJECT	DESIGN	DRAWN	DATE
5029-01	VL	NERF	APRIL 26 2010
FILE	SHEET		
PW#2009-04	SP305		