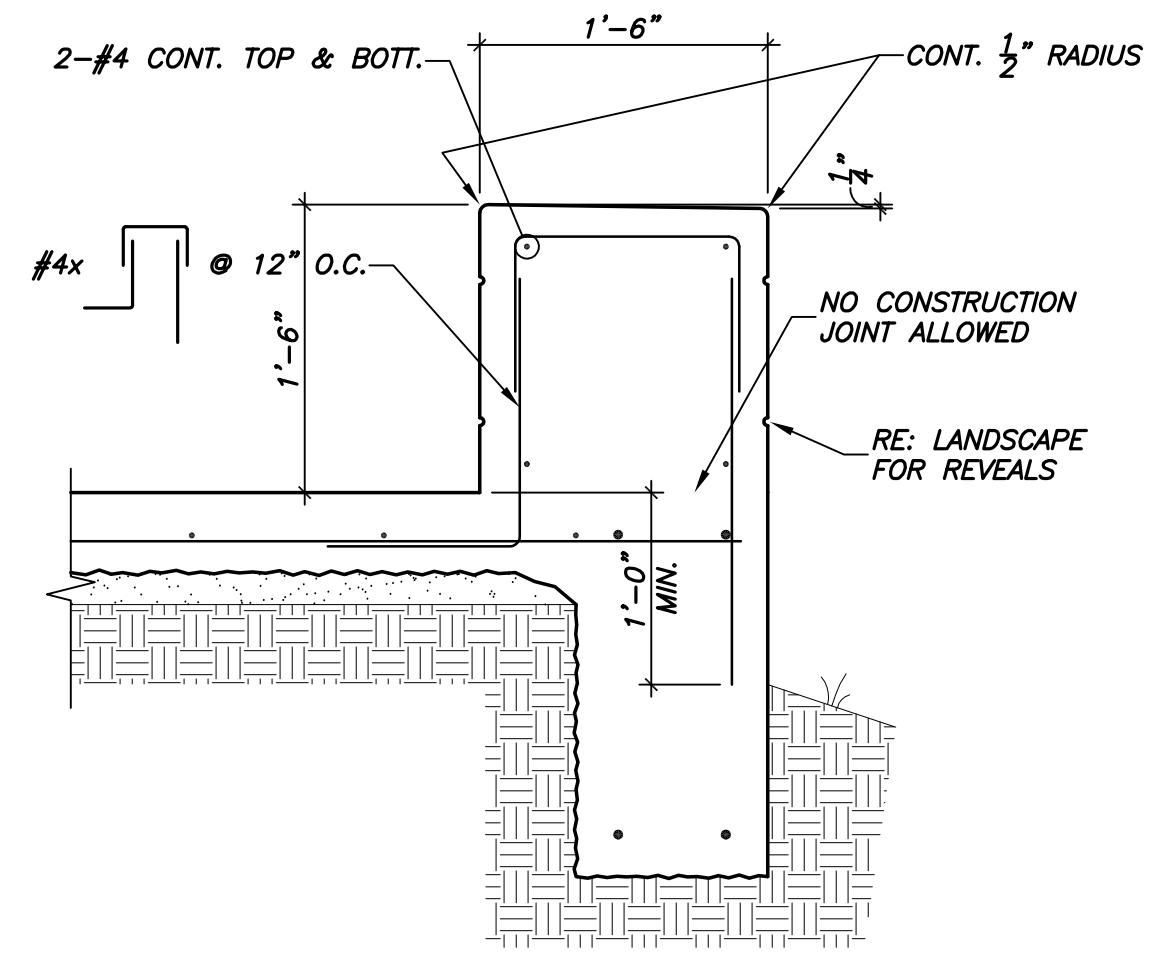
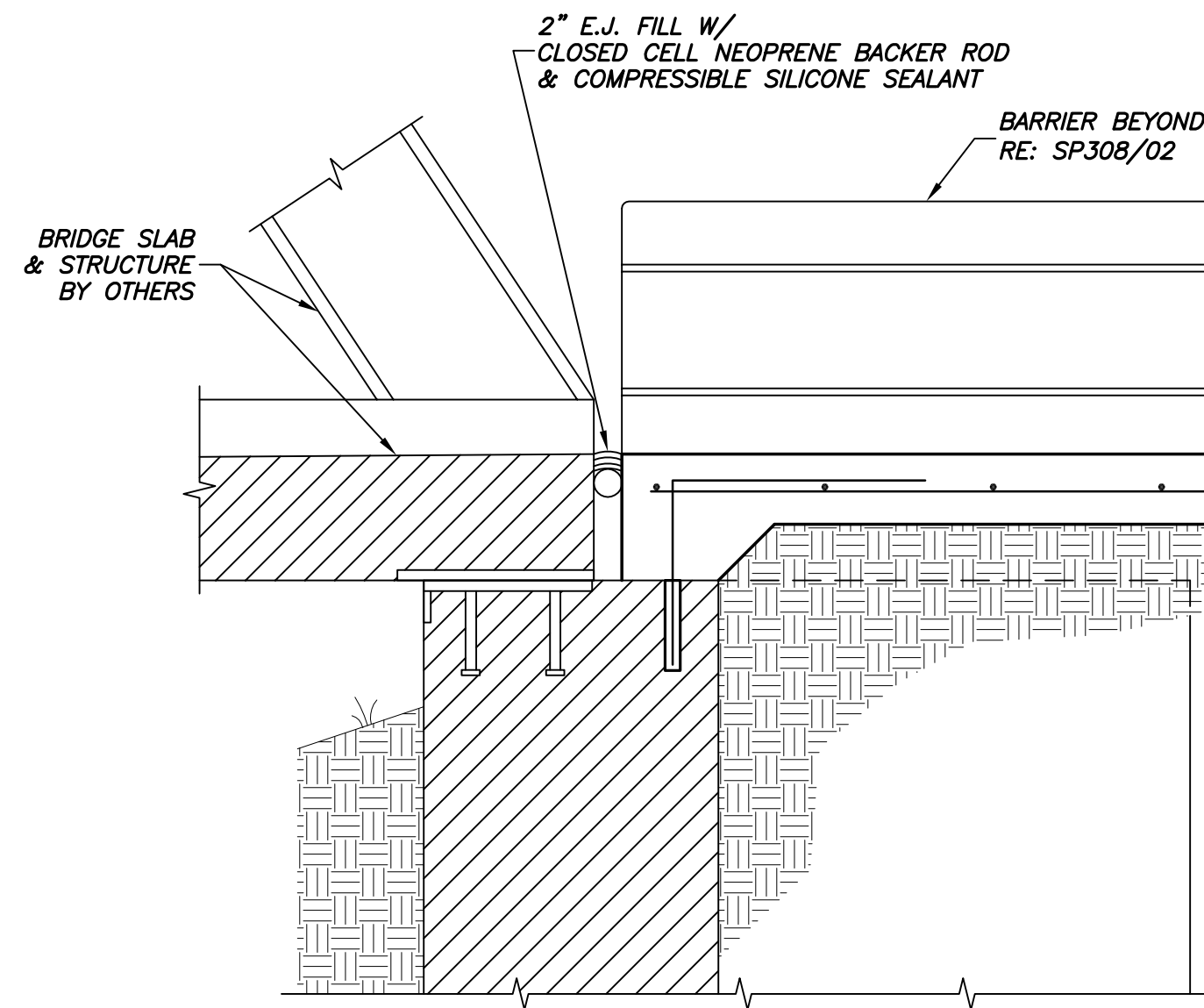


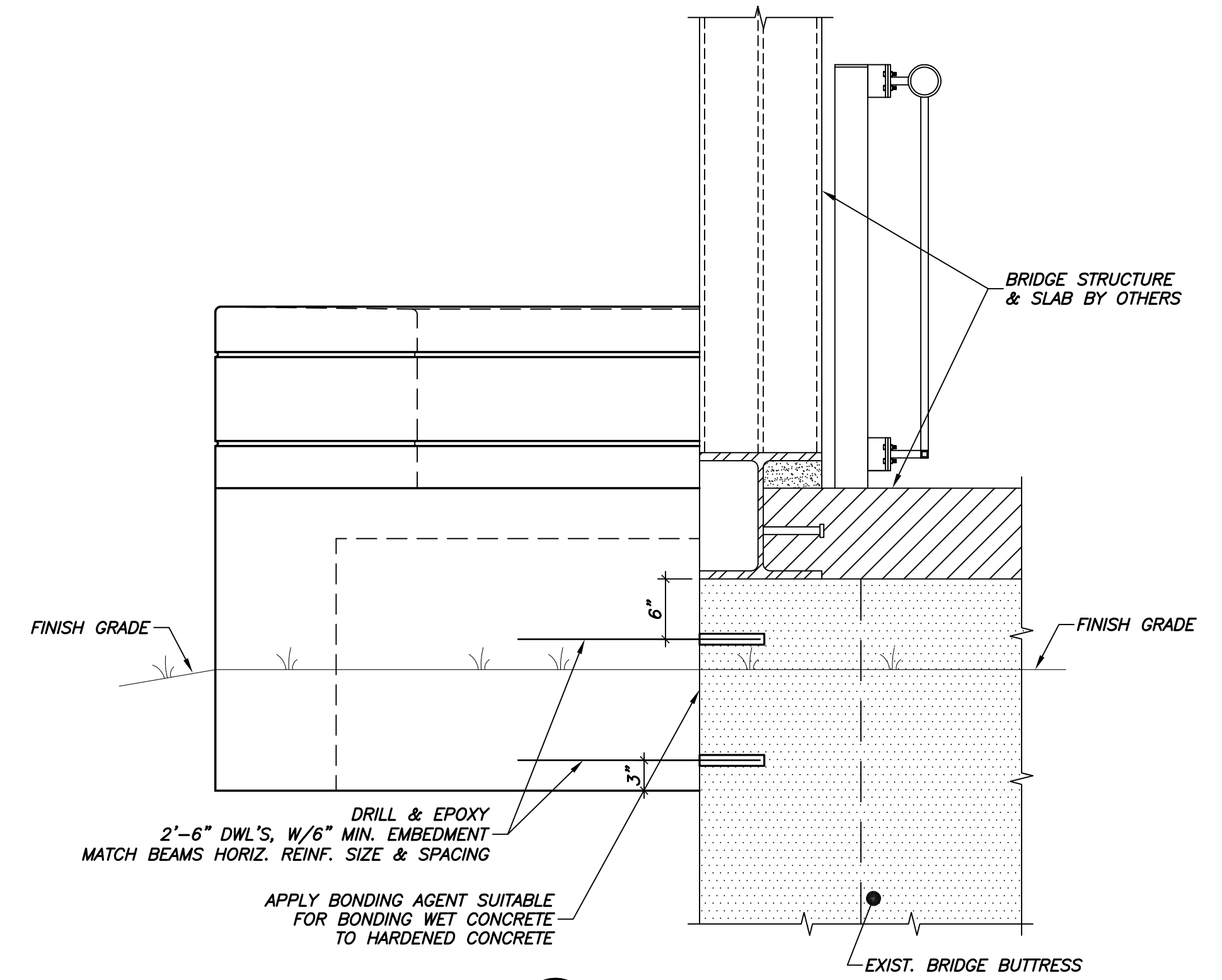
01 SECTION
1"=1'-0"



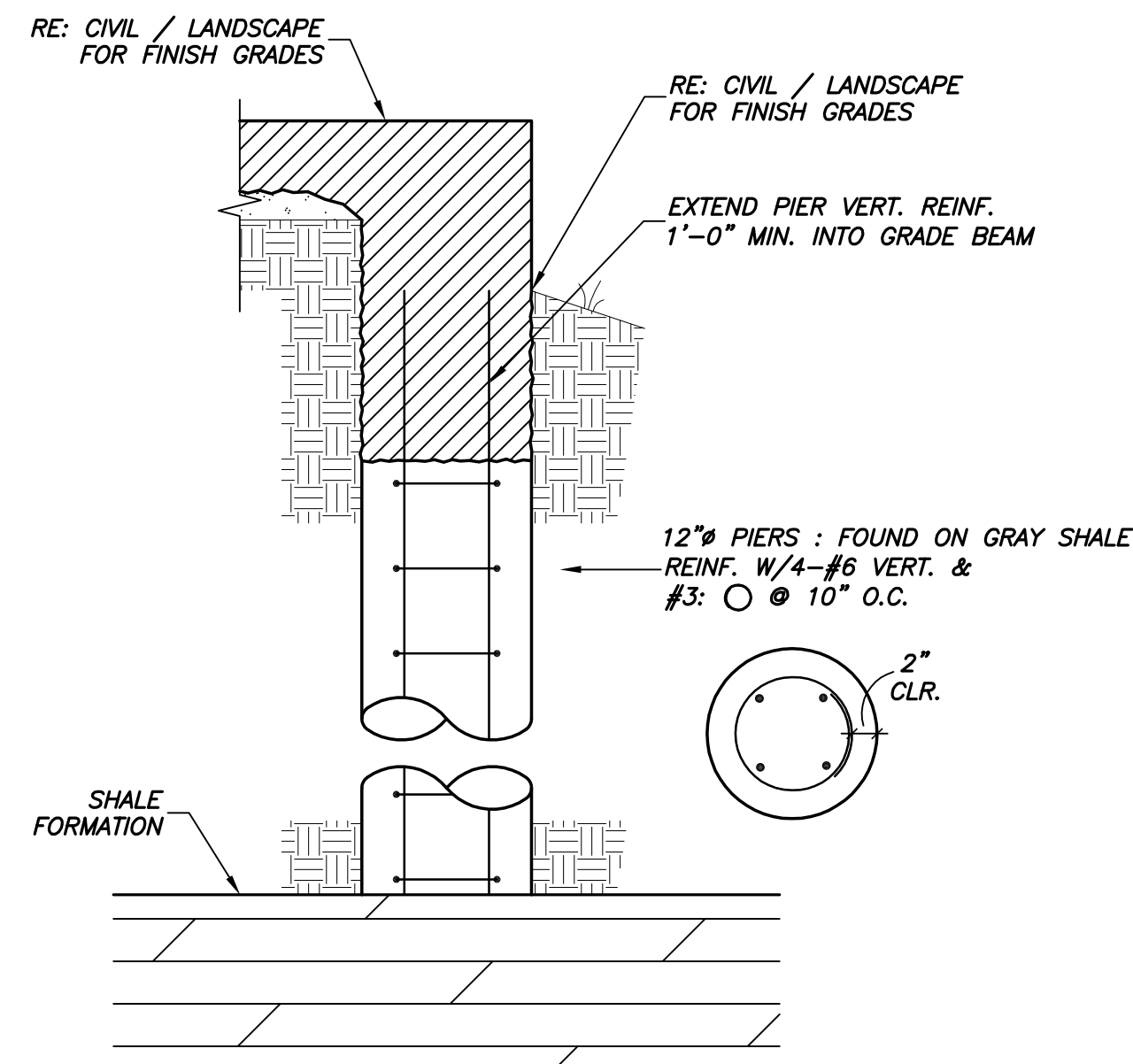
02 SECTION
1"=1'-0"



03 SECTION
1"=1'-0"



04 SECTION
1"=1'-0"



05 TYP. PIER
1"=1'-0"



ISSUED FOR CONSTRUCTION 04/26/10

NO.	REVISION	BY	DATE
TOWN OF ADDISON DALLAS COUNTY, TEXAS PARK AND STREETScape IMPROVEMENTS VITRUVIAN PARK SECTIONS & DETAILS VIEWTECH INC. 4205 Beltway Dr. - Addison, Texas 75001 Structural Engineers (972) 661-8187 Fax (972) 661-8172			
PROJECT	DESIGN	DRAWN	DATE
5029-01	VL	NERF	APRIL 26 2010
FILE	SHEET		
PW#2009-04	SP307		