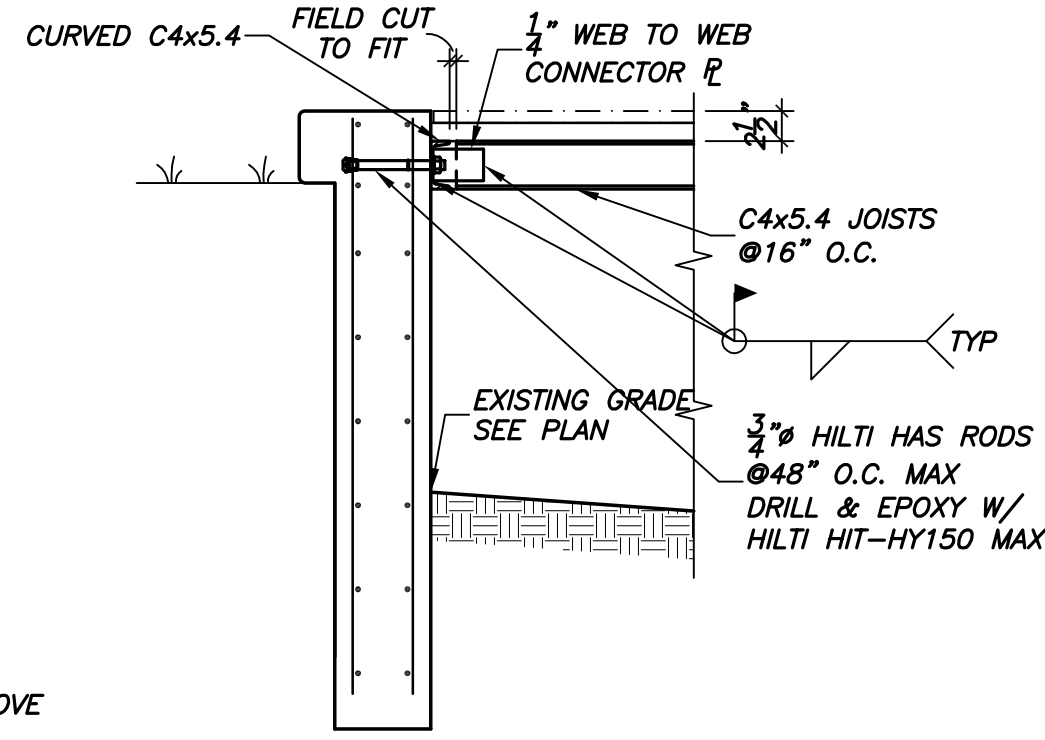
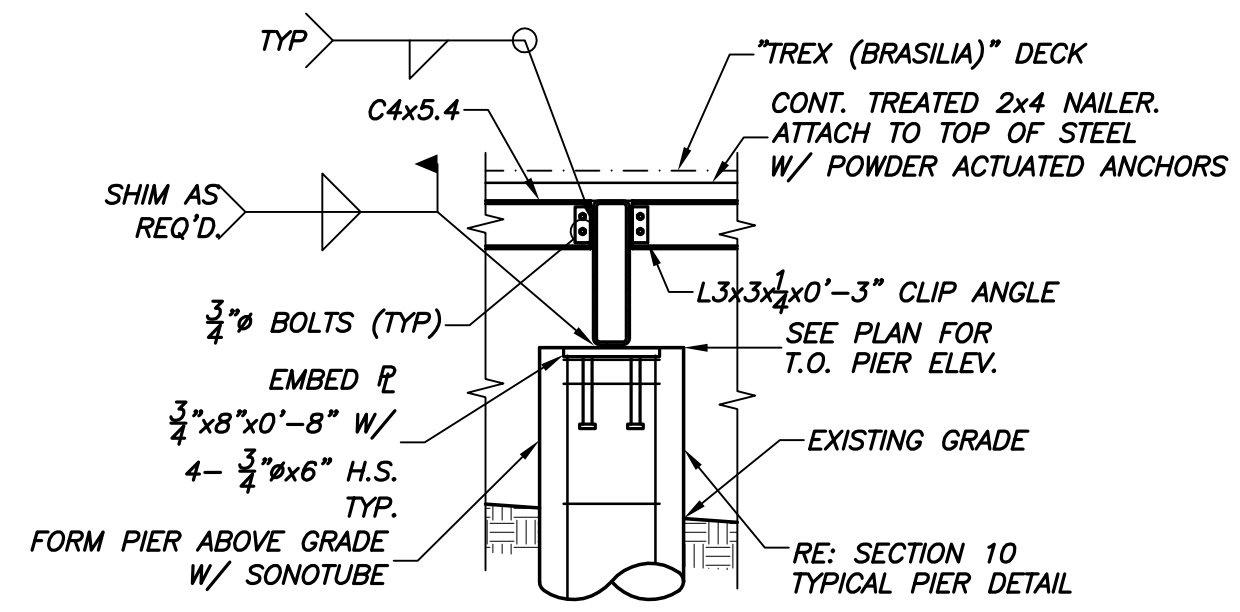


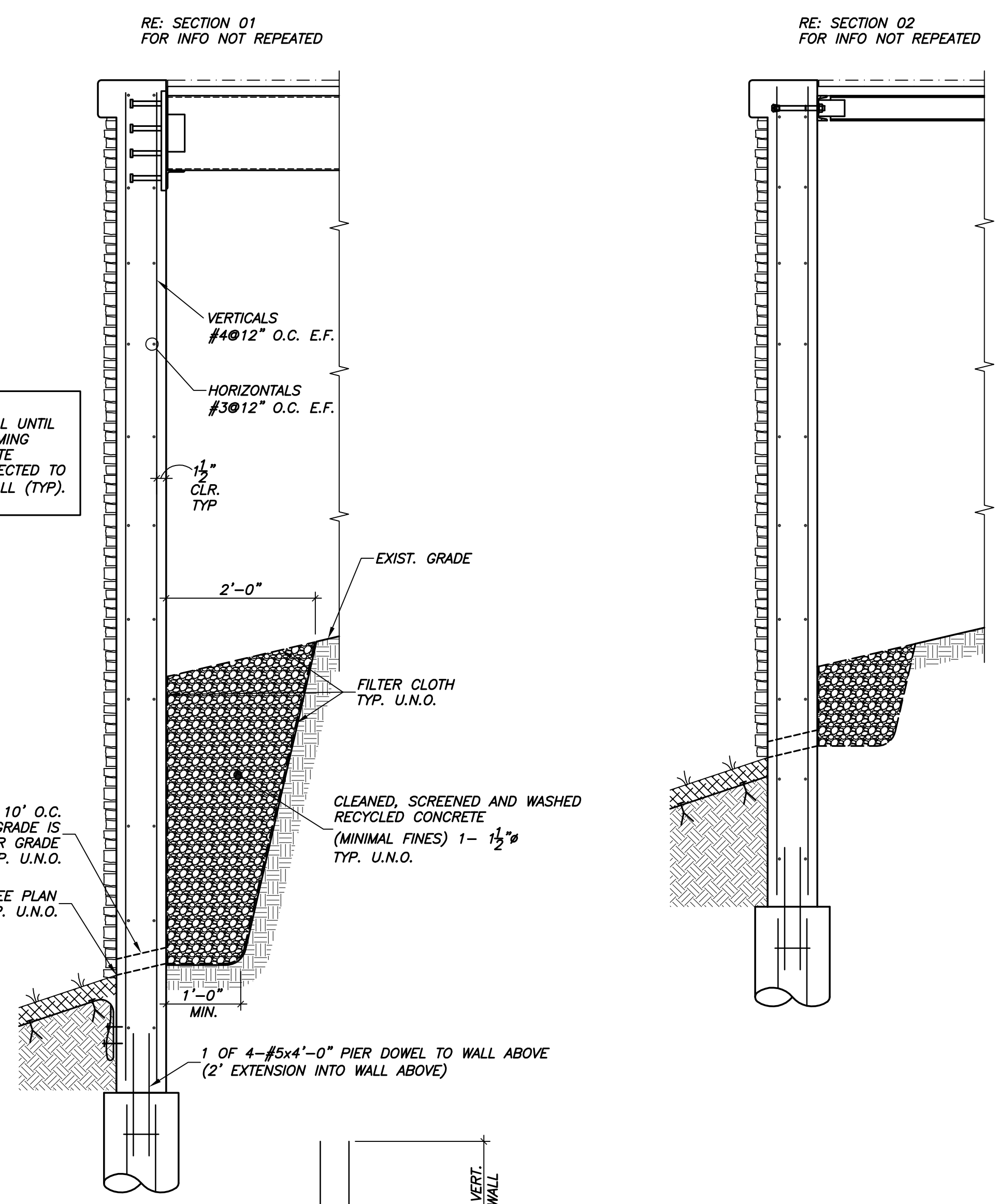
01 SECTION
3/4"=1'-0"



02 SECTION
3/4"=1'-0"

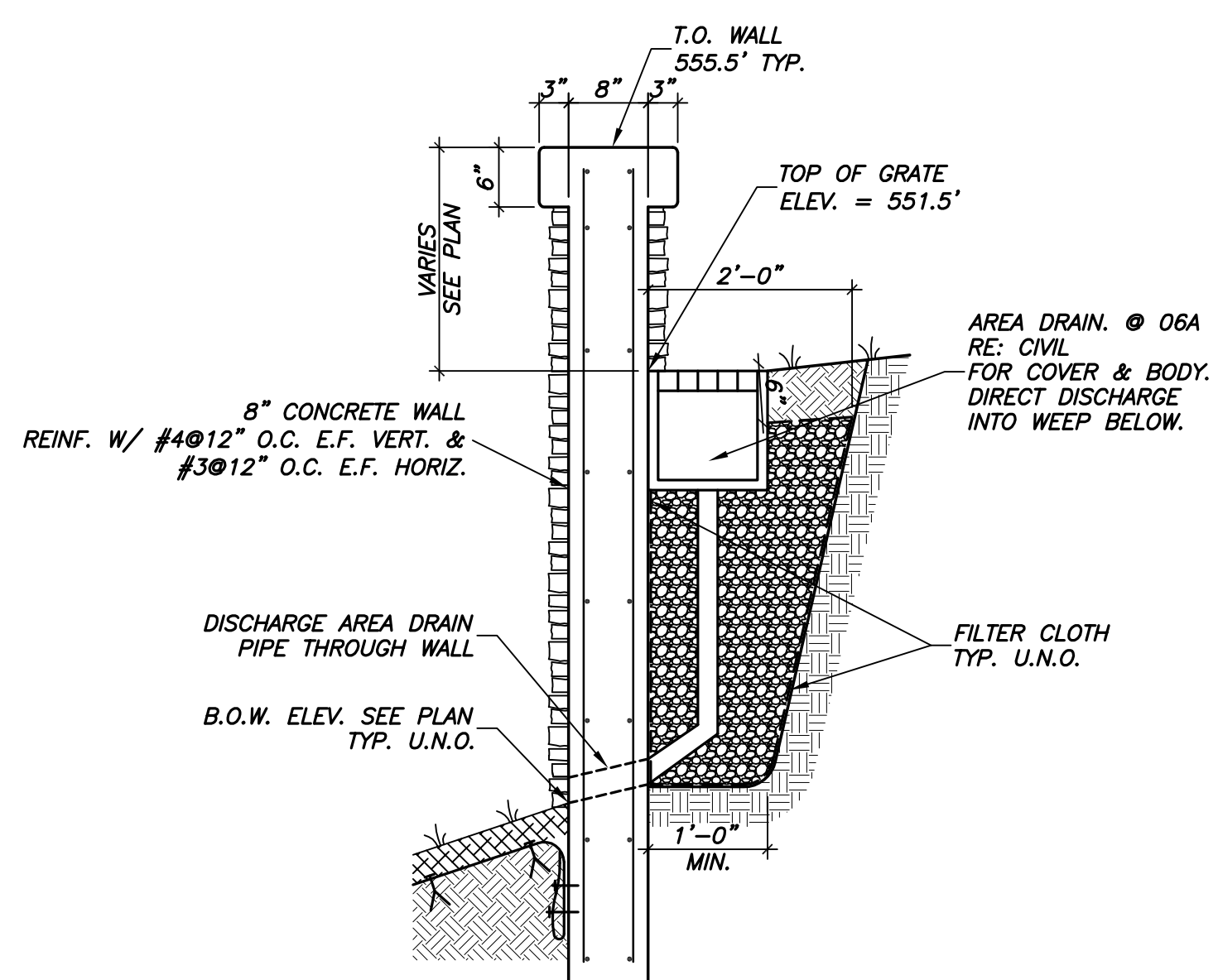


03 SECTION
3/4"=1'-0"

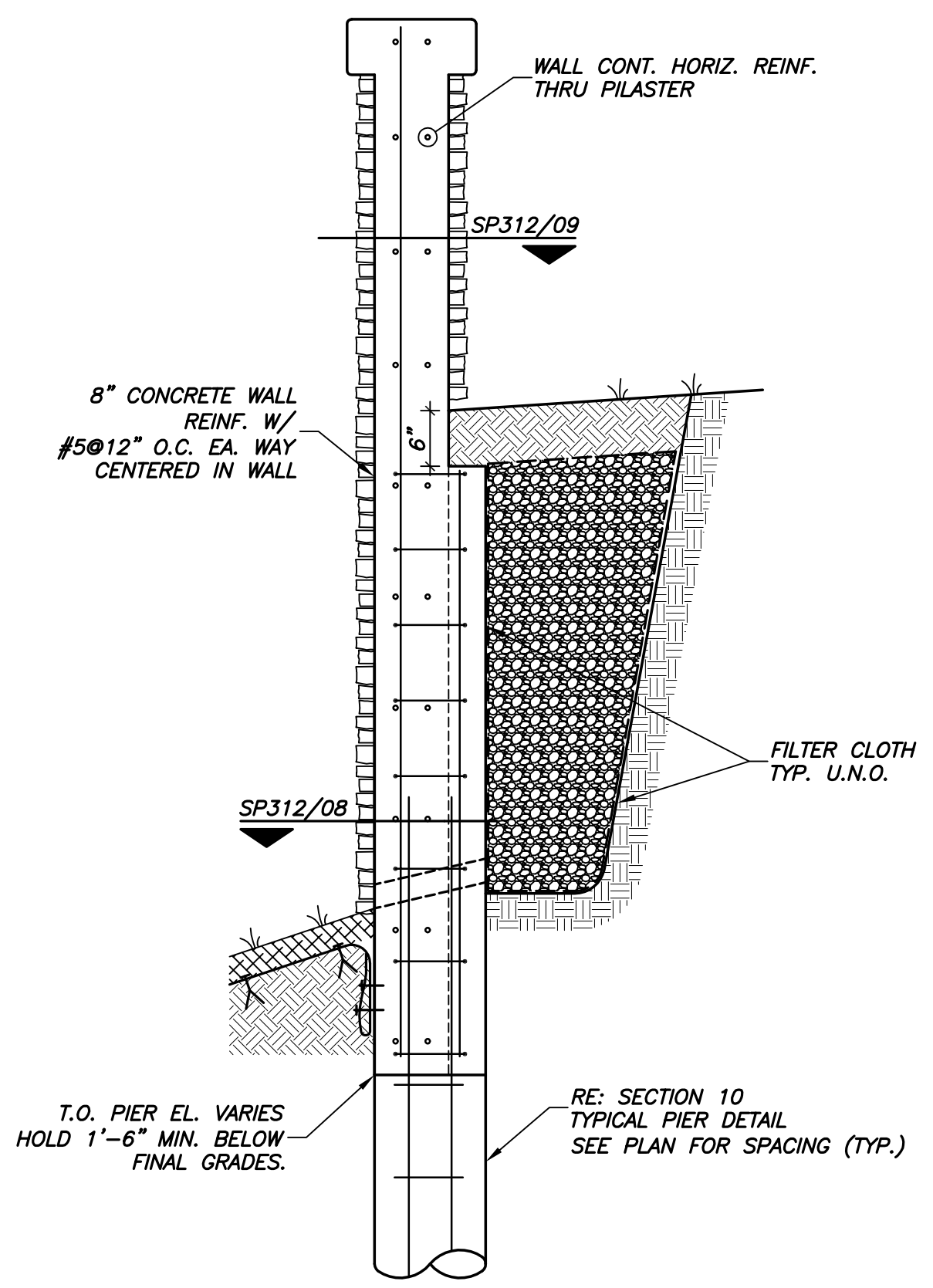


04 SECTION
3/4"=1'-0"

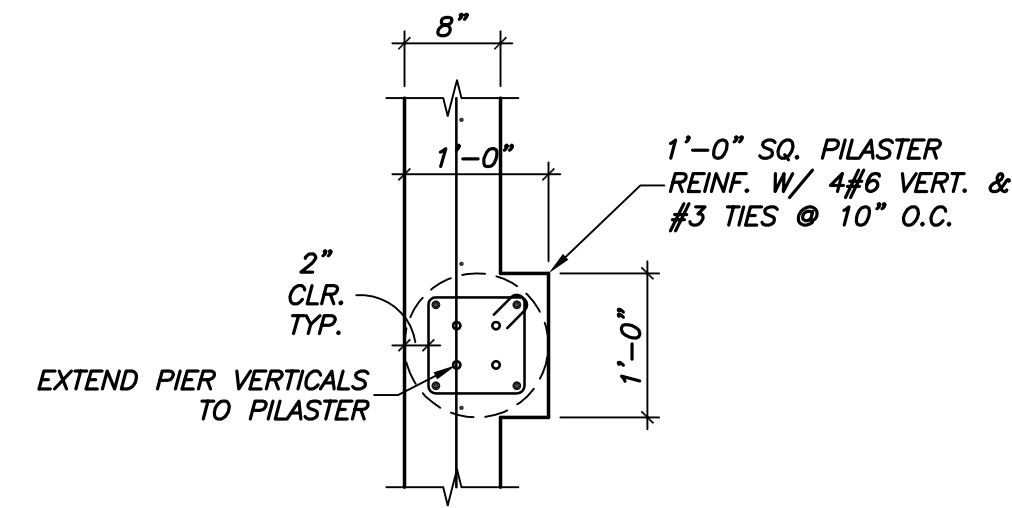
05 SECTION
3/4"=1'-0"



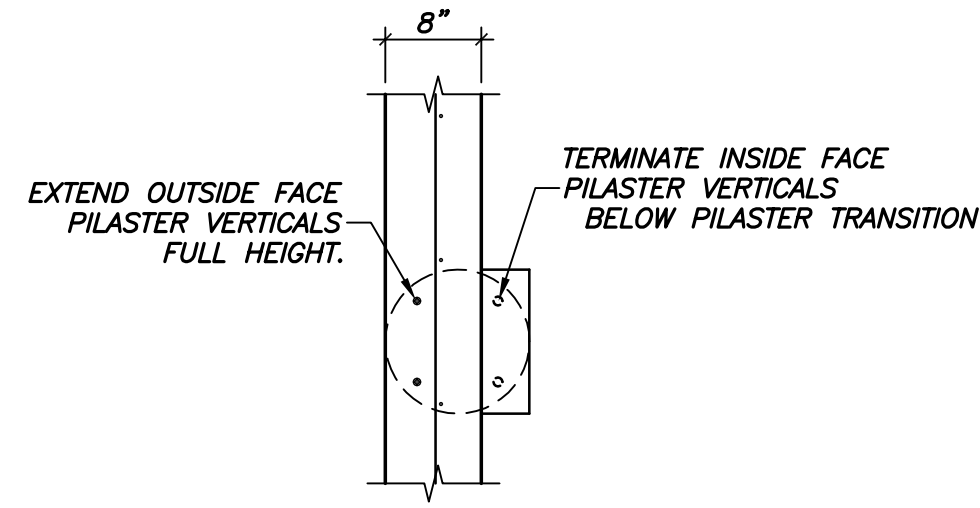
06A SECTION
3/4"=1'-0"



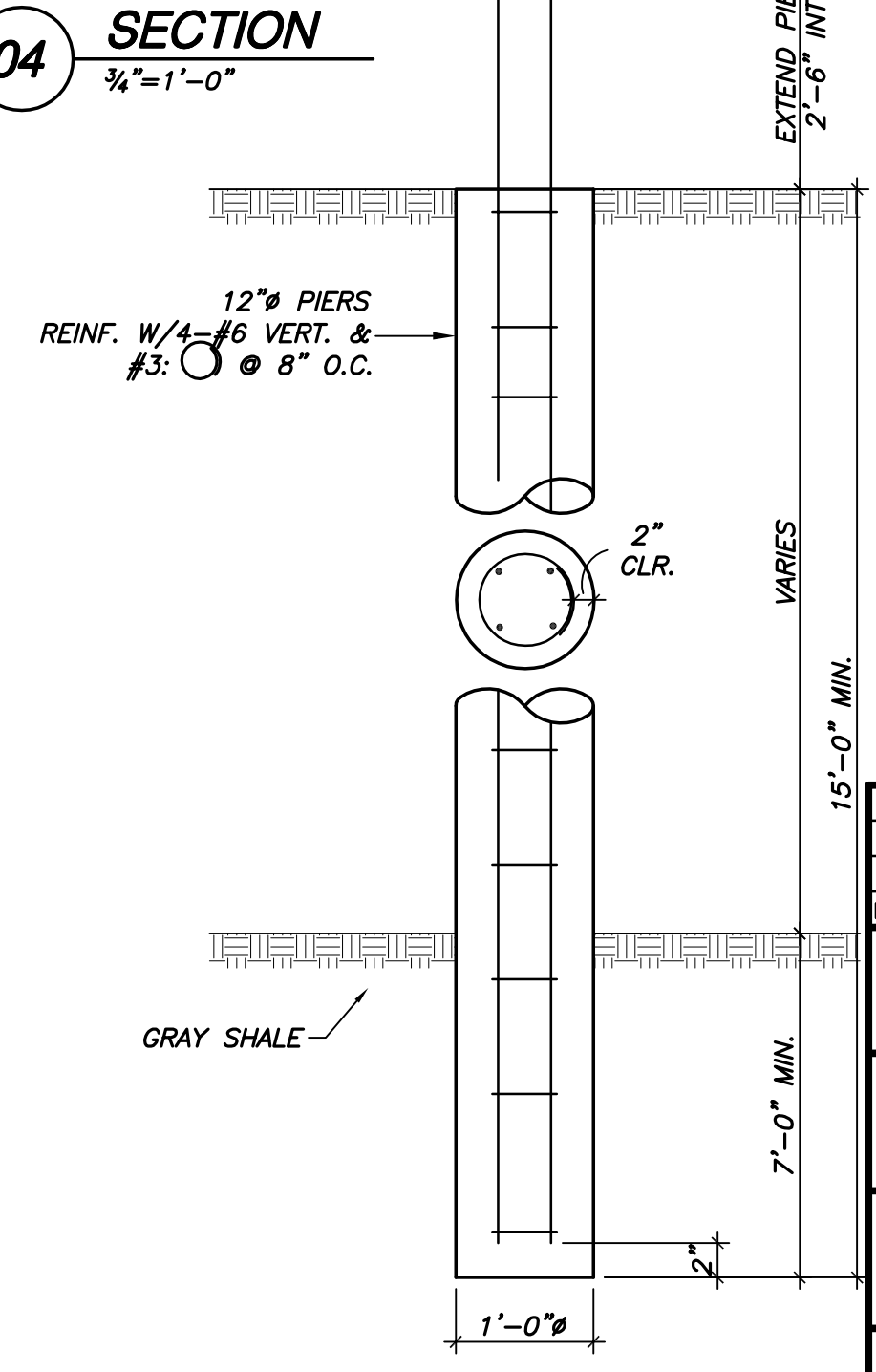
07 SECTION
3/4"=1'-0"



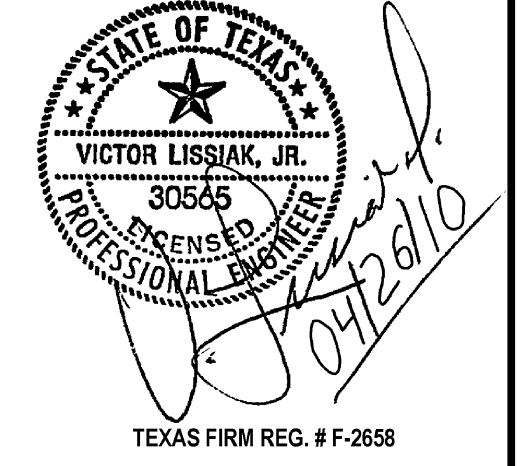
08 SECTION
3/4"=1'-0"



09 SECTION
3/4"=1'-0"



10 TYPICAL PIER DETAIL
3/4"=1'-0"



ISSUED FOR CONSTRUCTION 04/26/10

NO.	REVISION	BY	DATE
VIEWTECH INC. Structural Engineers 4205 Beltway Dr. - Addison, Texas 75001 (972) 661-8187 Fax (972) 661-8172			
PROJECT	DESIGN	DRAWN	DATE
5029-01	VL	NERF	APRIL 26 2010
FILE	SHEET		
PW#2009-04	SP312		