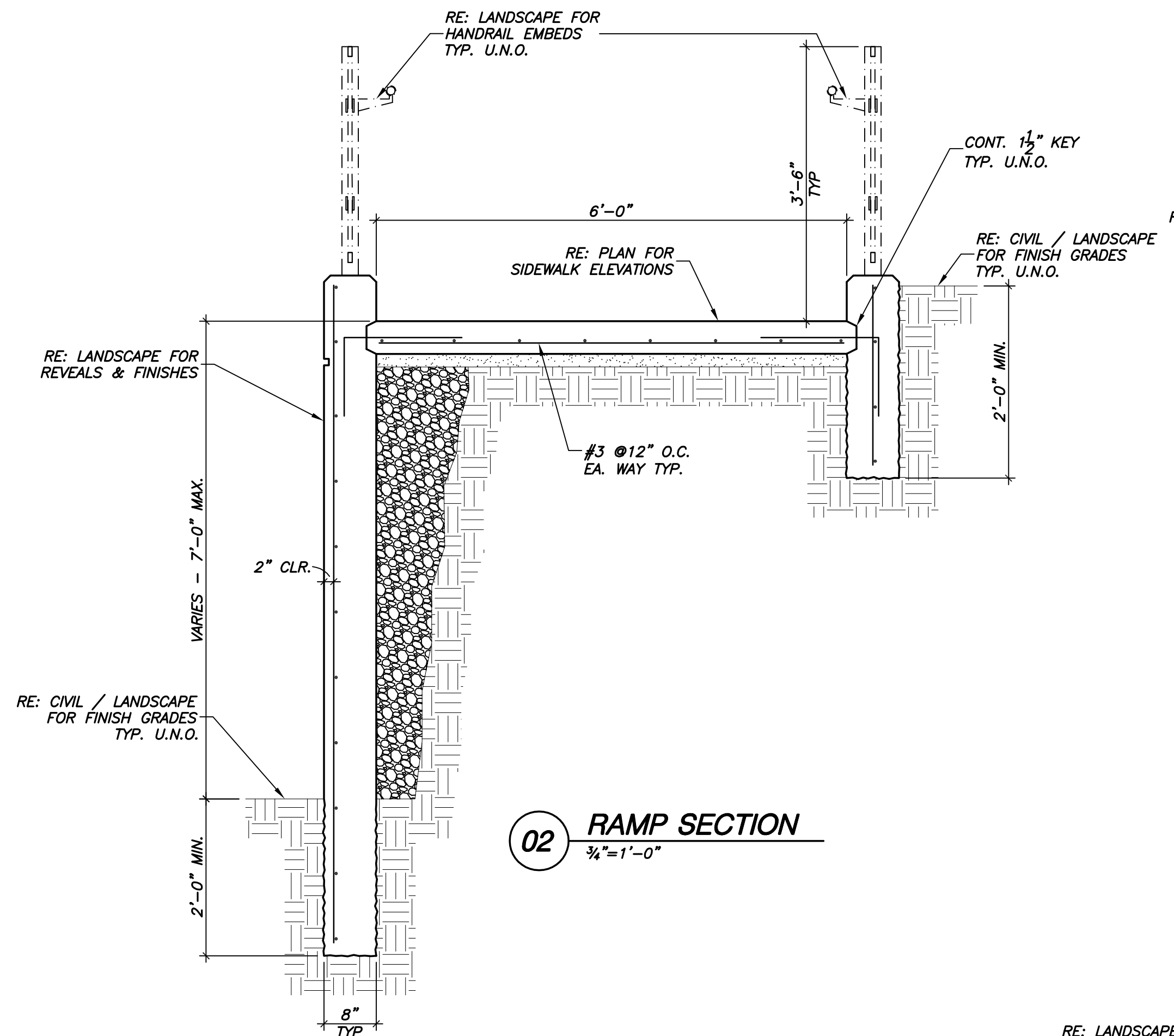
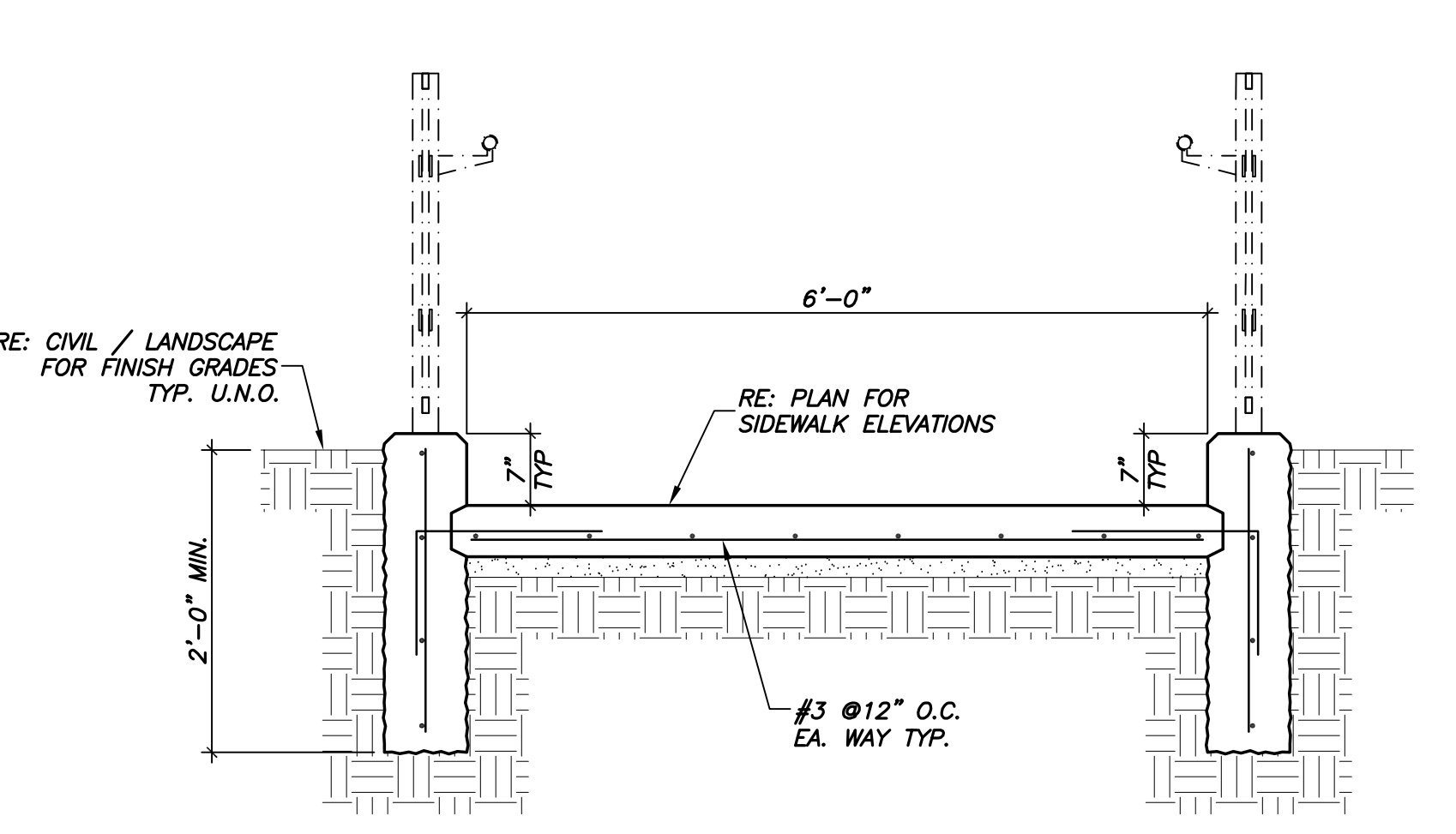


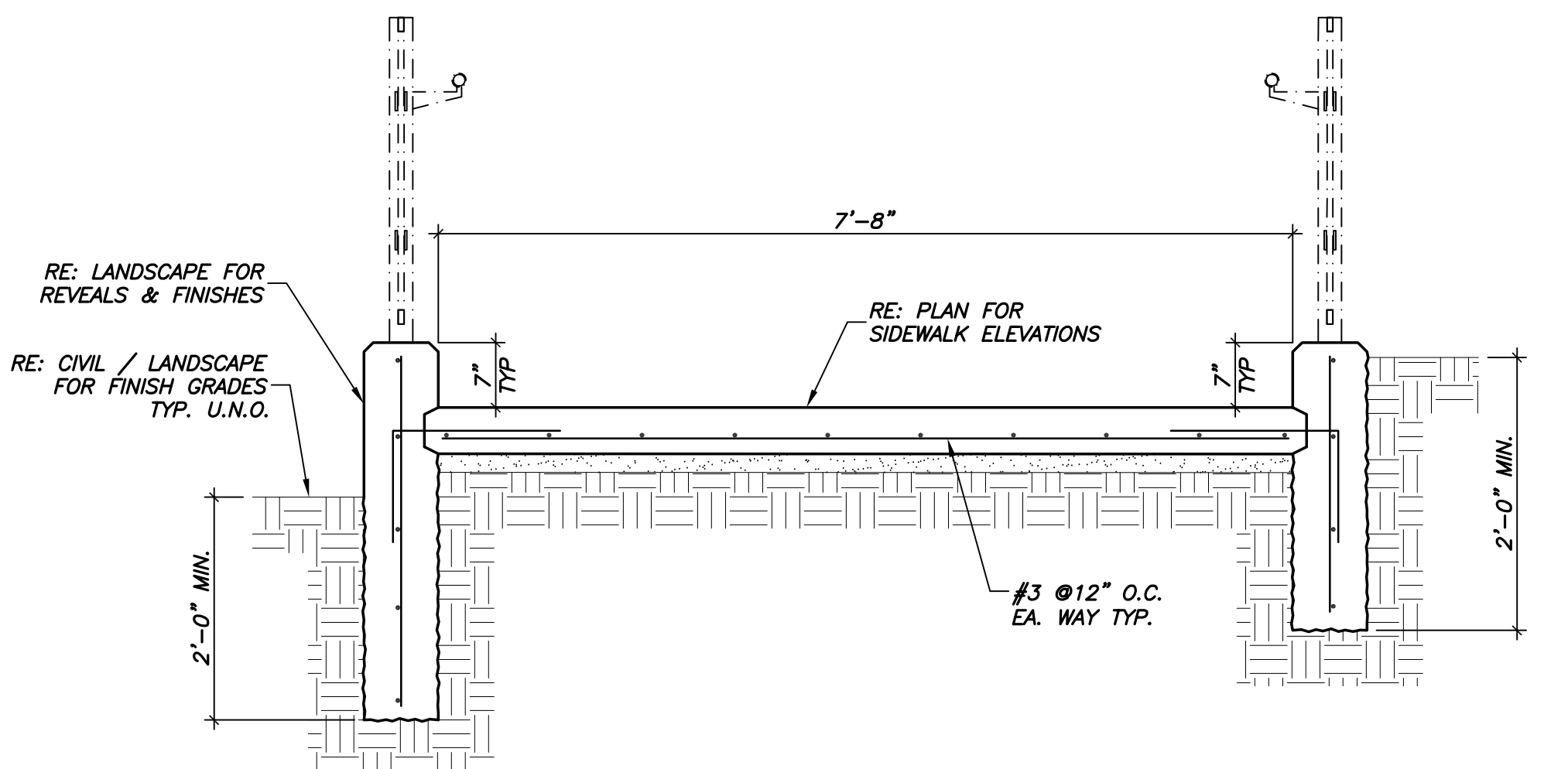
01 RAMP SECTION
3/4"=1'-0"



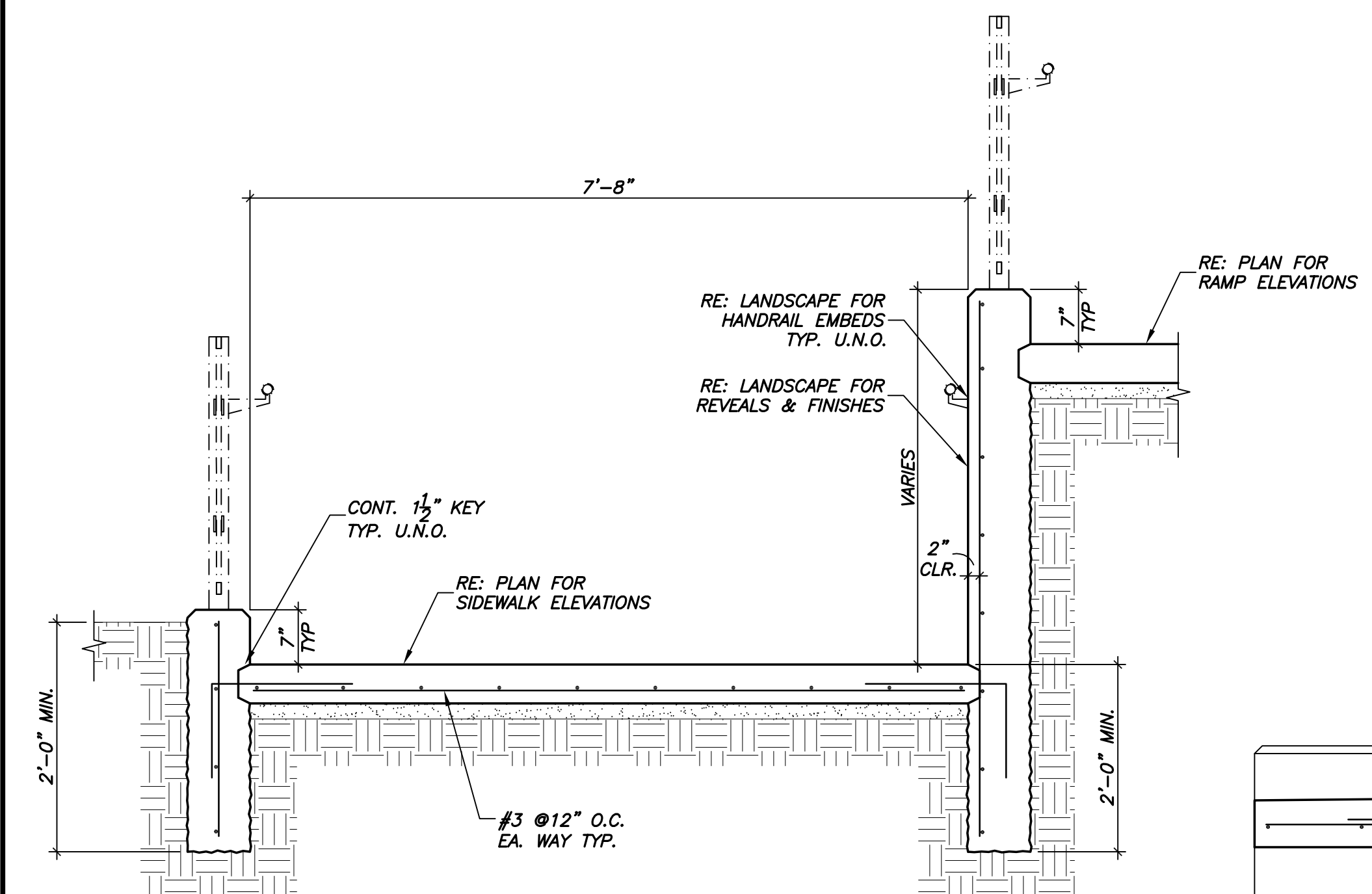
02 RAMP SECTION
3/4"=1'-0"



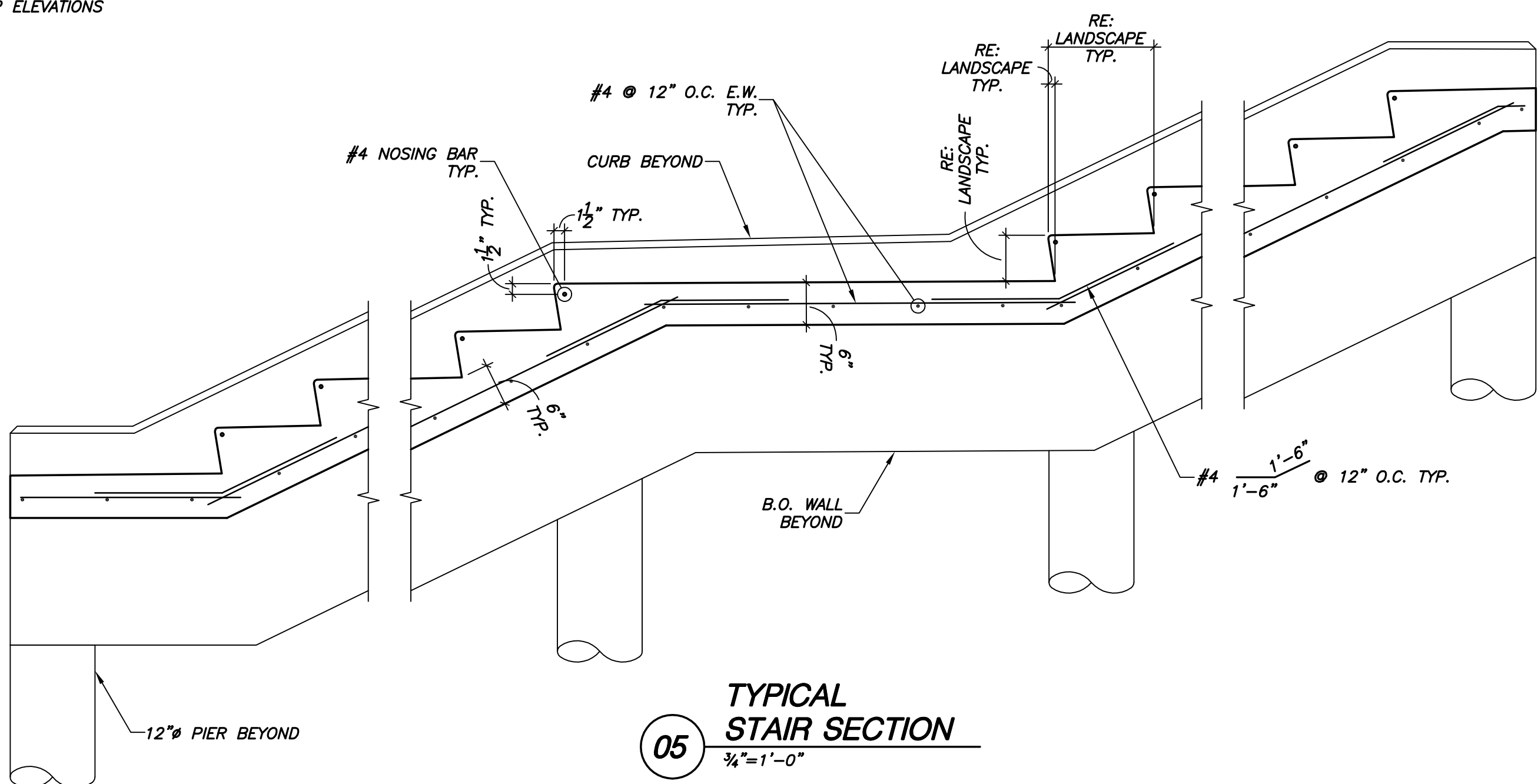
03 TYPICAL RAMP SECTION
3/4"=1'-0"



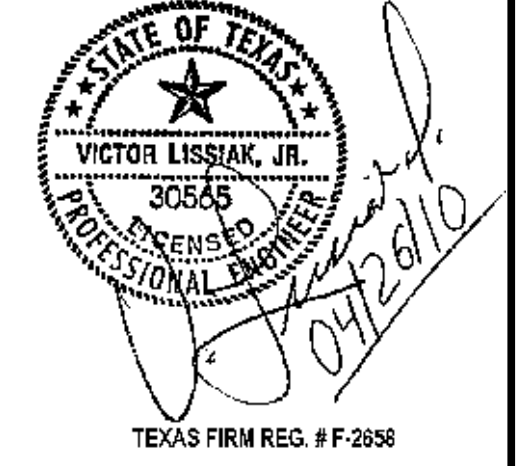
06 TYPICAL STAIR SECTION
3/4"=1'-0"



04 STAIR SECTION
3/4"=1'-0"



05 TYPICAL STAIR SECTION
3/4"=1'-0"



ISSUED FOR CONSTRUCTION 04/26/10

NO.	REVISION	BY	DATE
1	MODIFY MAXIMUM WALL HEIGHT	VL	05-18-10

TOWN OF ADDISON
DALLAS COUNTY, TEXAS

PARK AND STREETScape IMPROVEMENTS
VITRUVIAN PARK

SECTIONS & DETAILS

VIEWTECH INC.
Structural Engineers
4205 Beltway Dr. - Addison, Texas 75001
(972) 661-8187 Fax (972) 661-8172

PROJECT	DESIGN	DRAWN	DATE	FILE	SHEET
5029-01	VL	NERF	APRIL 26 2010	PW#2009-04	SP318