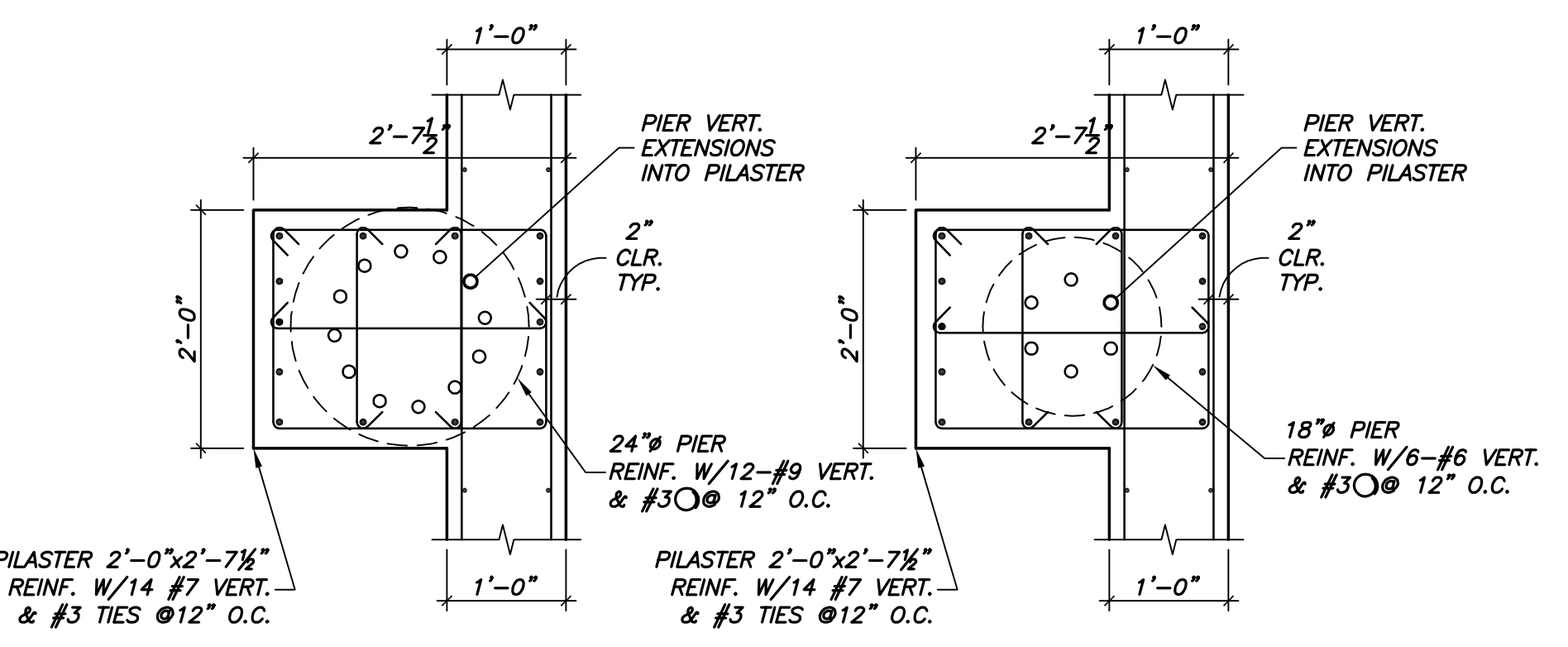
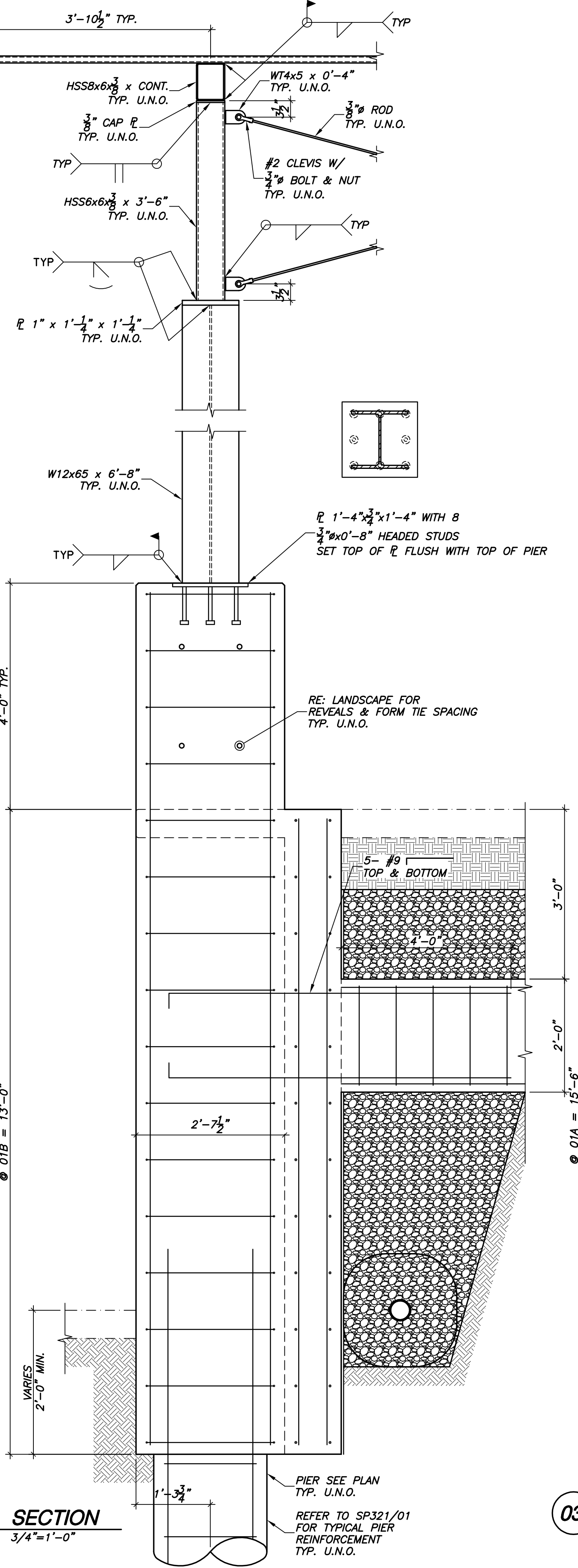


01 SECTION
3/4"=1'-0"

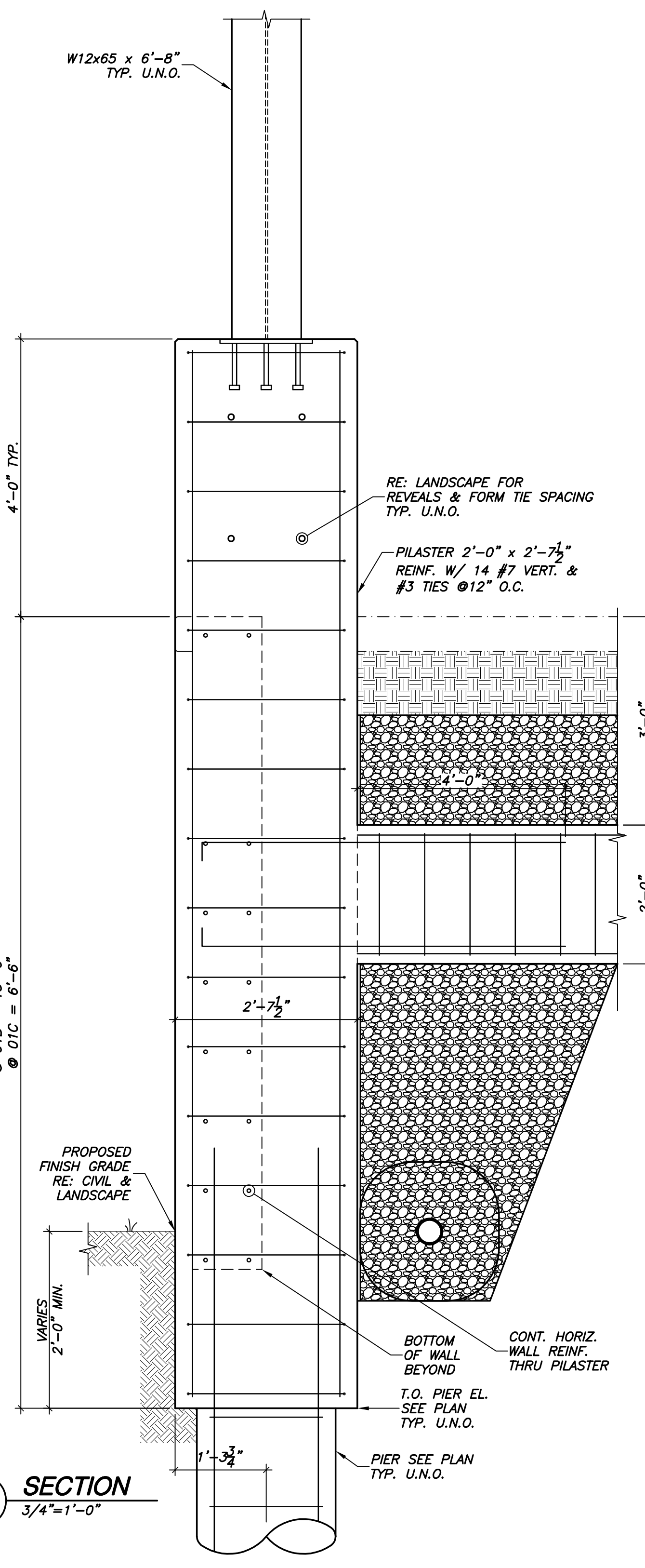


05A SECTION
3/4"=1'-0"

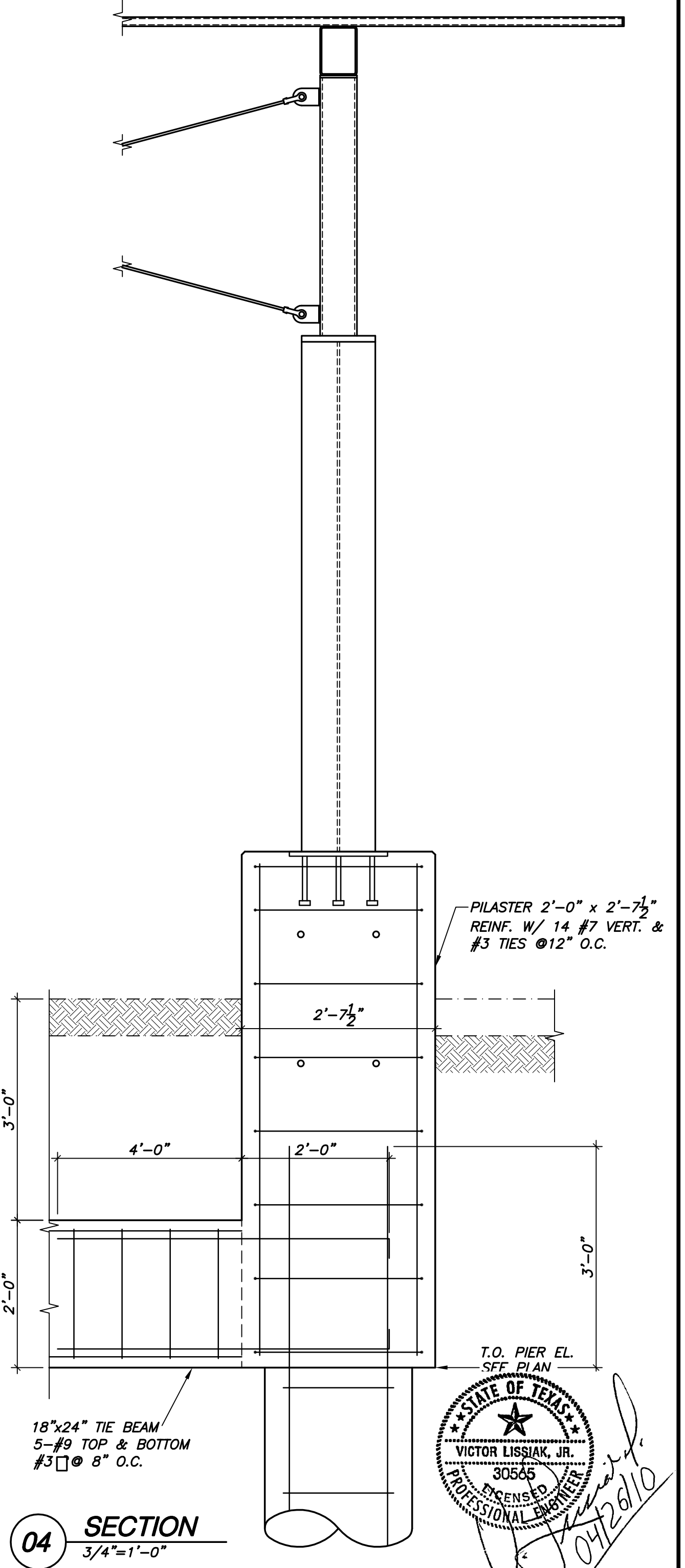
05B SECTION
3/4"=1'-0"



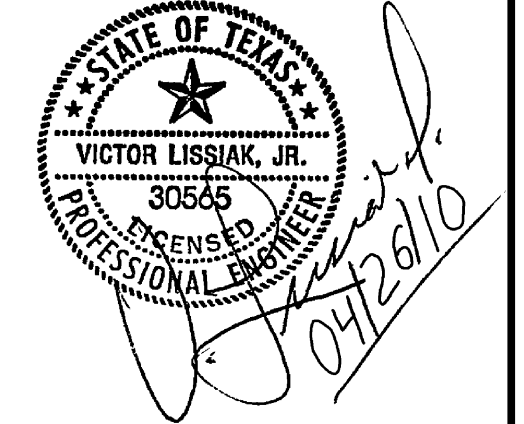
02 SECTION
3/4"=1'-0"



03 SECTION
3/4"=1'-0"



04 SECTION
3/4"=1'-0"



ISSUED FOR CONSTRUCTION 04/26/10

NO.	REVISION	BY	DATE

TOWN OF ADDISON
DALLAS COUNTY, TEXAS

PARK AND STREETSCAPE IMPROVEMENTS
VITRUVIAN PARK

SECTIONS & DETAILS

VIEWTECH INC. 4205 Beltway Dr. - Addison, Texas 75001
Structural Engineers (972) 661-8187 Fax (972) 661-8172

PROJECT	DESIGN	DRAWN	DATE	FILE	SHEET
5029-01	VL	NERF	APRIL 26 2010	PW#2009-04	SP319