

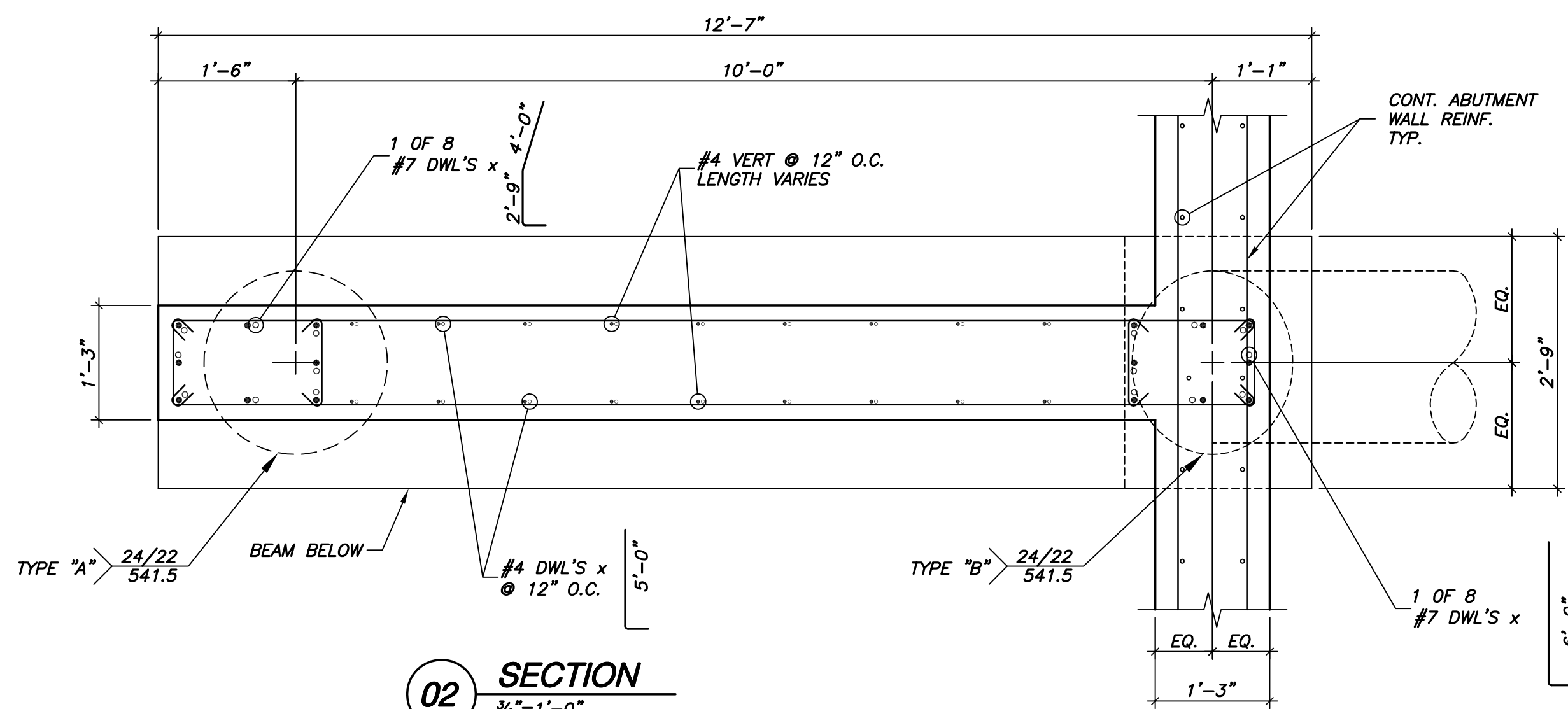
TYPICAL PIER REINFORCING:

24" PIER SHAFT - TYPICAL
 12- #9 VERTICAL $F_c' = 4000$ PSI
 TIES: #3 @ 12" O.C.

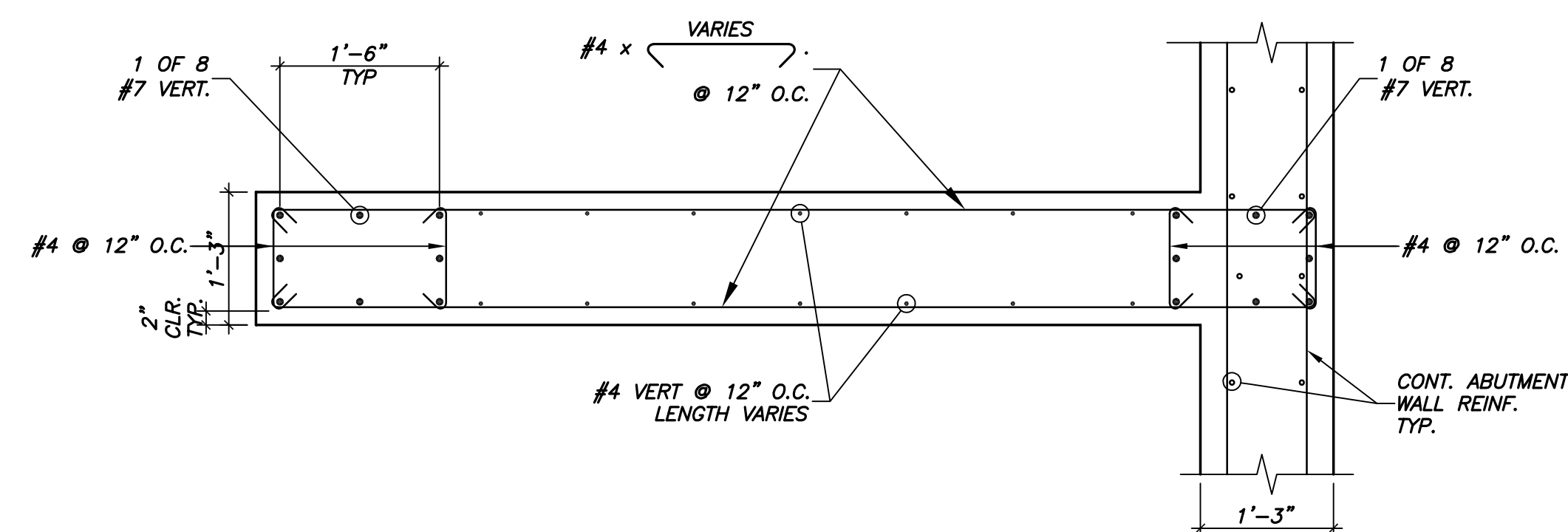
24" PIER SHAFT - TYPE "A"
 10- #8 VERTICAL $F_c' = 4000$ PSI
 TIES: #3 @ 12" O.C.

24" PIER SHAFT - TYPE "B"
 8- #7 VERTICAL $F_c' = 4000$ PSI
 TIES: #3 @ 12" O.C.

18" PIER SHAFT - TYPICAL
 6- #6 VERTICAL $F_c' = 4000$ PSI
 TIES: #3 @ 10" O.C.

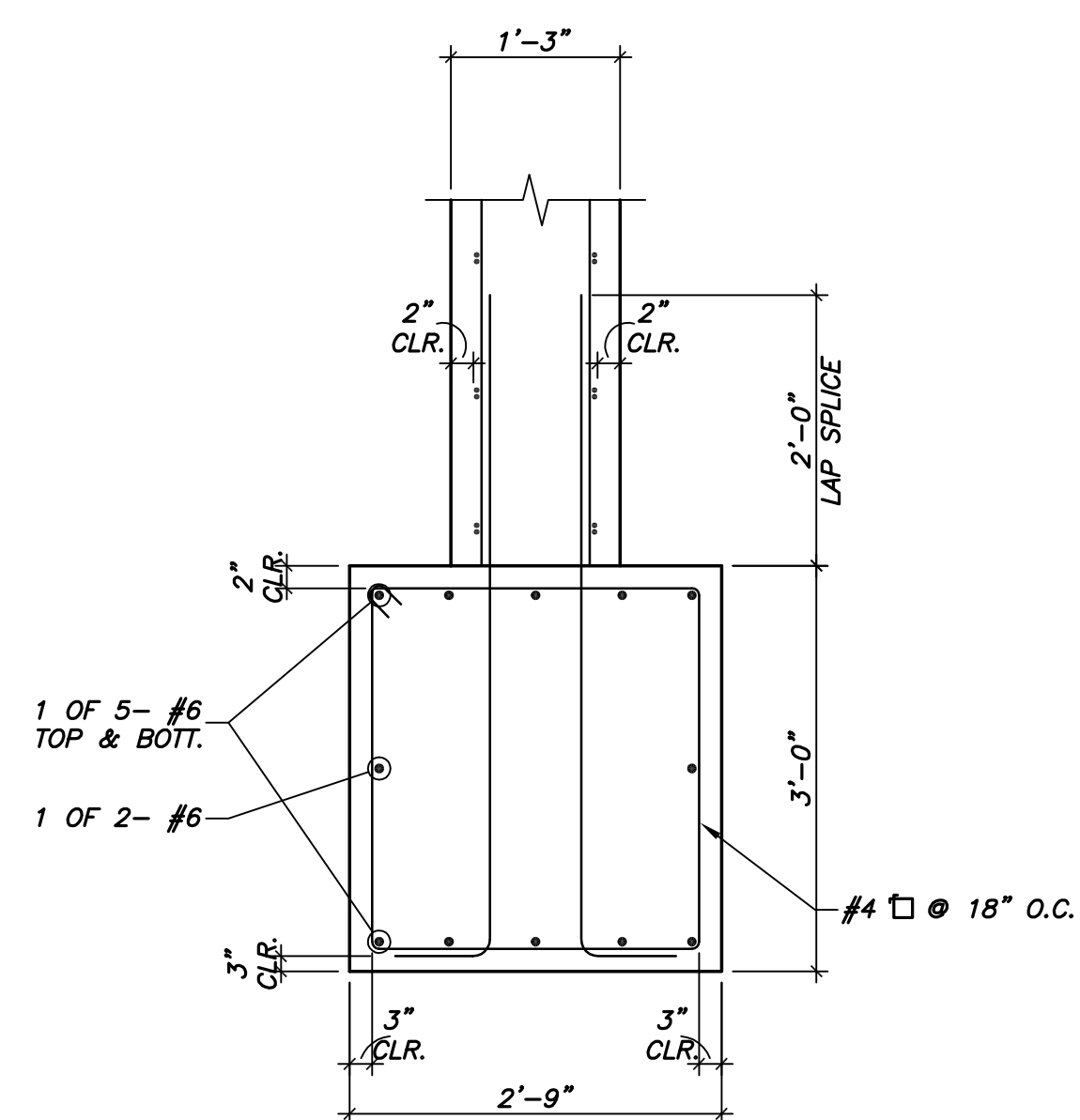


02 SECTION
 $\frac{3}{4}'' = 1'-0''$

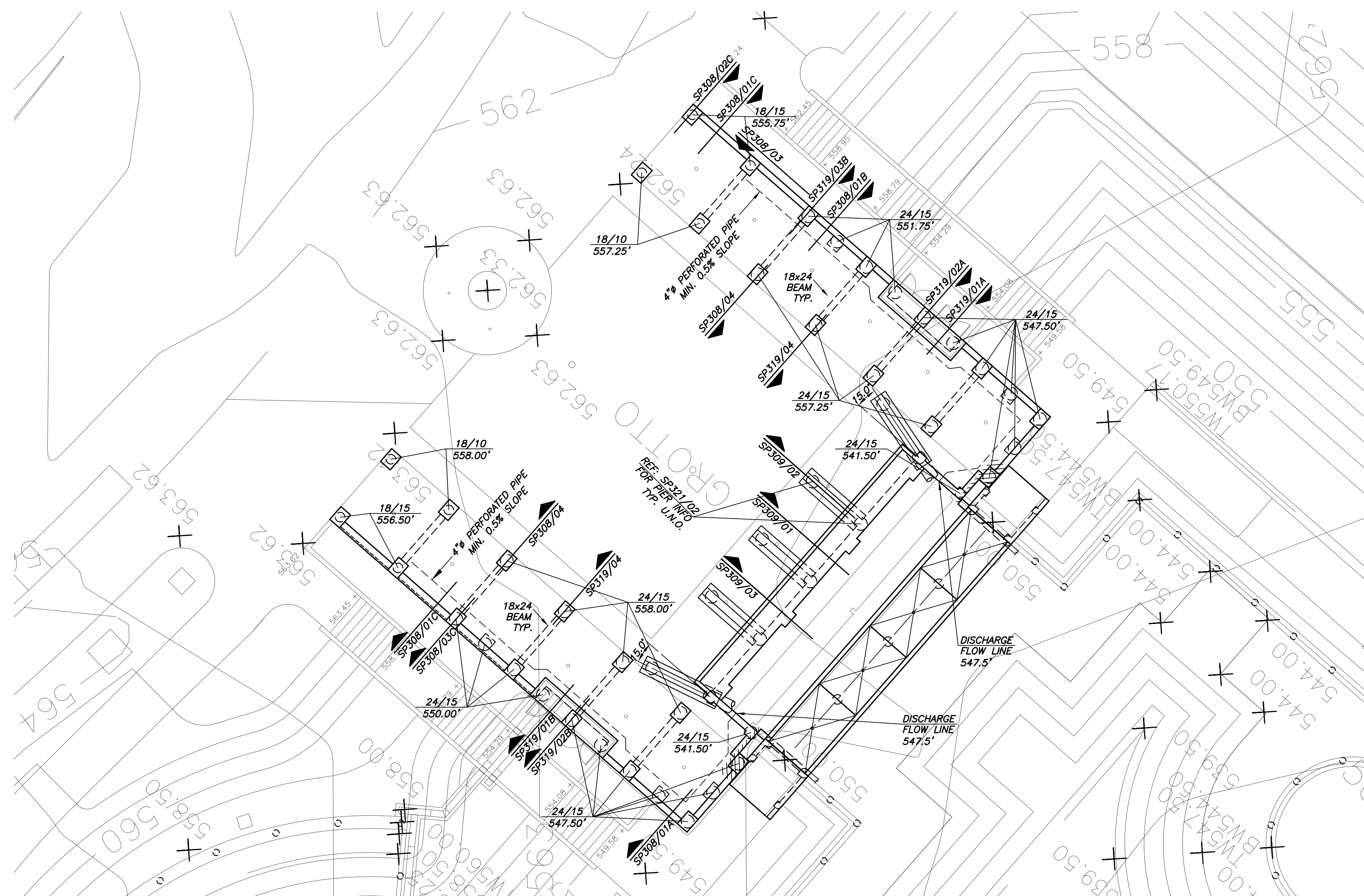


03 SECTION
 $\frac{3}{4}'' = 1'-0''$

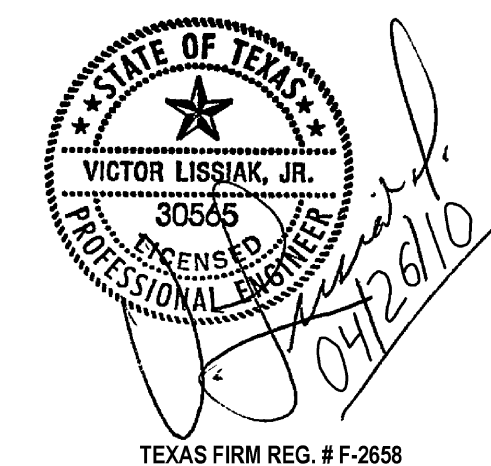
01 GROTTO PIER DETAIL
 N.T.S.



04 SECTION
 $\frac{3}{4}'' = 1'-0''$



01 GROTTO PARTIAL PLAN VIEW
 $\frac{3}{32}'' = 1'-0''$



ISSUED FOR CONSTRUCTION 04/26/10

NO.	REVISION	BY	DATE
ADDISON! TOWN OF ADDISON DALLAS COUNTY, TEXAS PARK AND STREETScape IMPROVEMENTS VITRUVIAN PARK SECTIONS & DETAILS			
VIEWTECH INC.		4205 Beltway Dr. - Addison, Texas 75001 (972) 661-8187 Fax (972) 661-8172	
PROJECT	DESIGN	DRAWN	DATE
5029-01	VL	NERF	APRIL 26 2010
FILE	SHEET		
PW#2009-04	SP321		