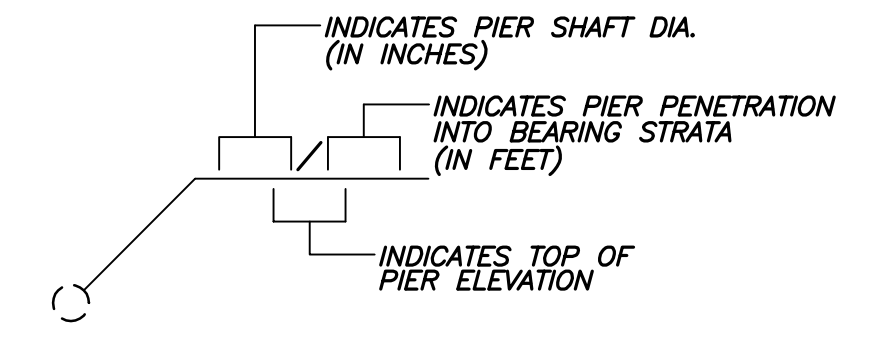
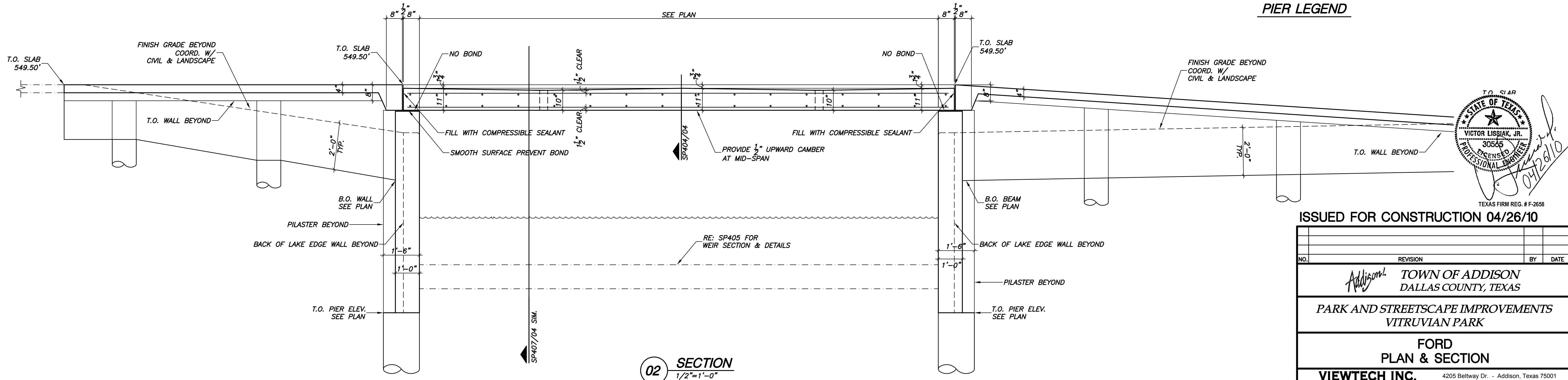


01 PLAN VIEW OF FORD
1/2"=1'-0"

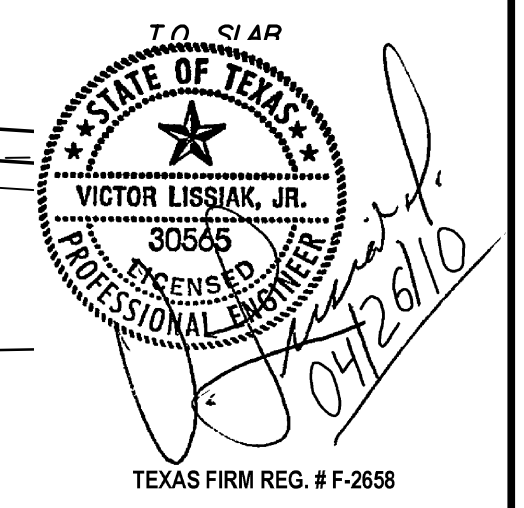
NOTE:
1. REFER TO SP404/02 & 03
FOR PIER REINFORCEMENT



PIER LEGEND



02 SECTION
1/2"=1'-0"



ISSUED FOR CONSTRUCTION 04/26/10

NO.	REVISION	BY	DATE
TOWN OF ADDISON DALLAS COUNTY, TEXAS PARK AND STREETScape IMPROVEMENTS VITRUVIAN PARK FORD PLAN & SECTION			
VIEWTECH INC.		4205 Beltway Dr. - Addison, Texas 75001 (972) 661-8187 Fax (972) 661-8172	
PROJECT	DESIGN	DRAWN	DATE
5029-01	VL	NERF	APRIL 26 2010
FILE	SHEET		
PW#2009-04	SP402		