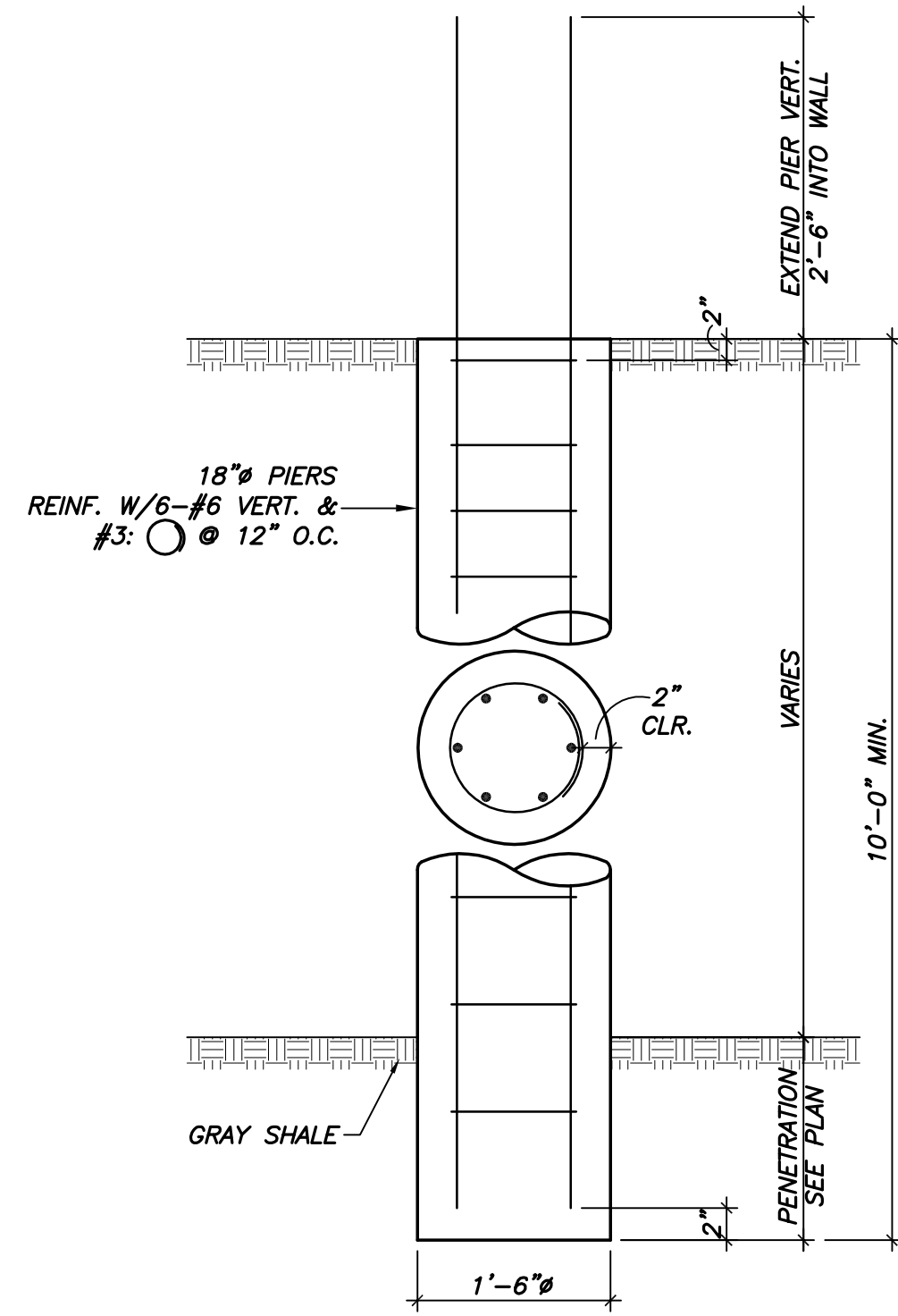
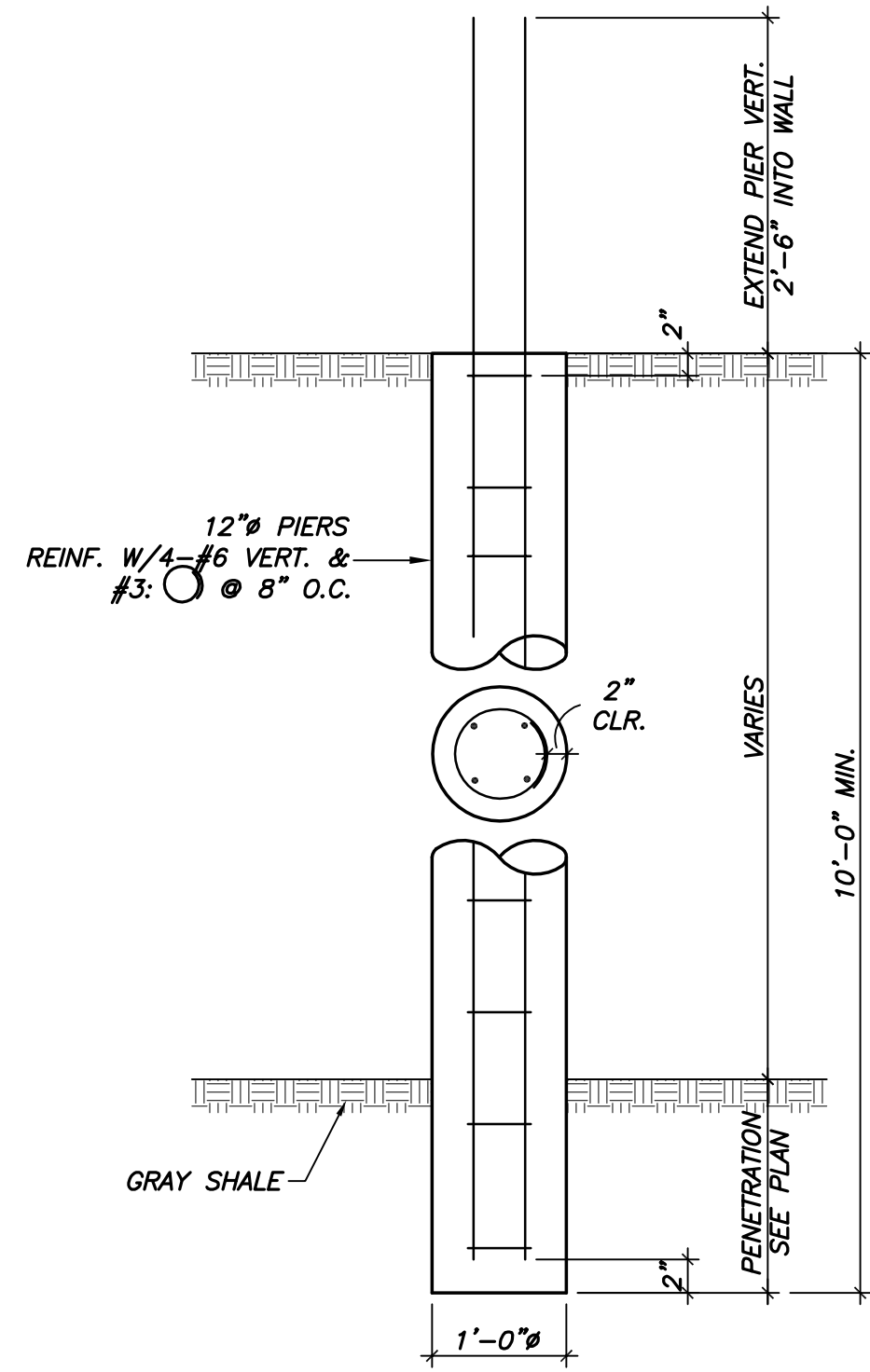


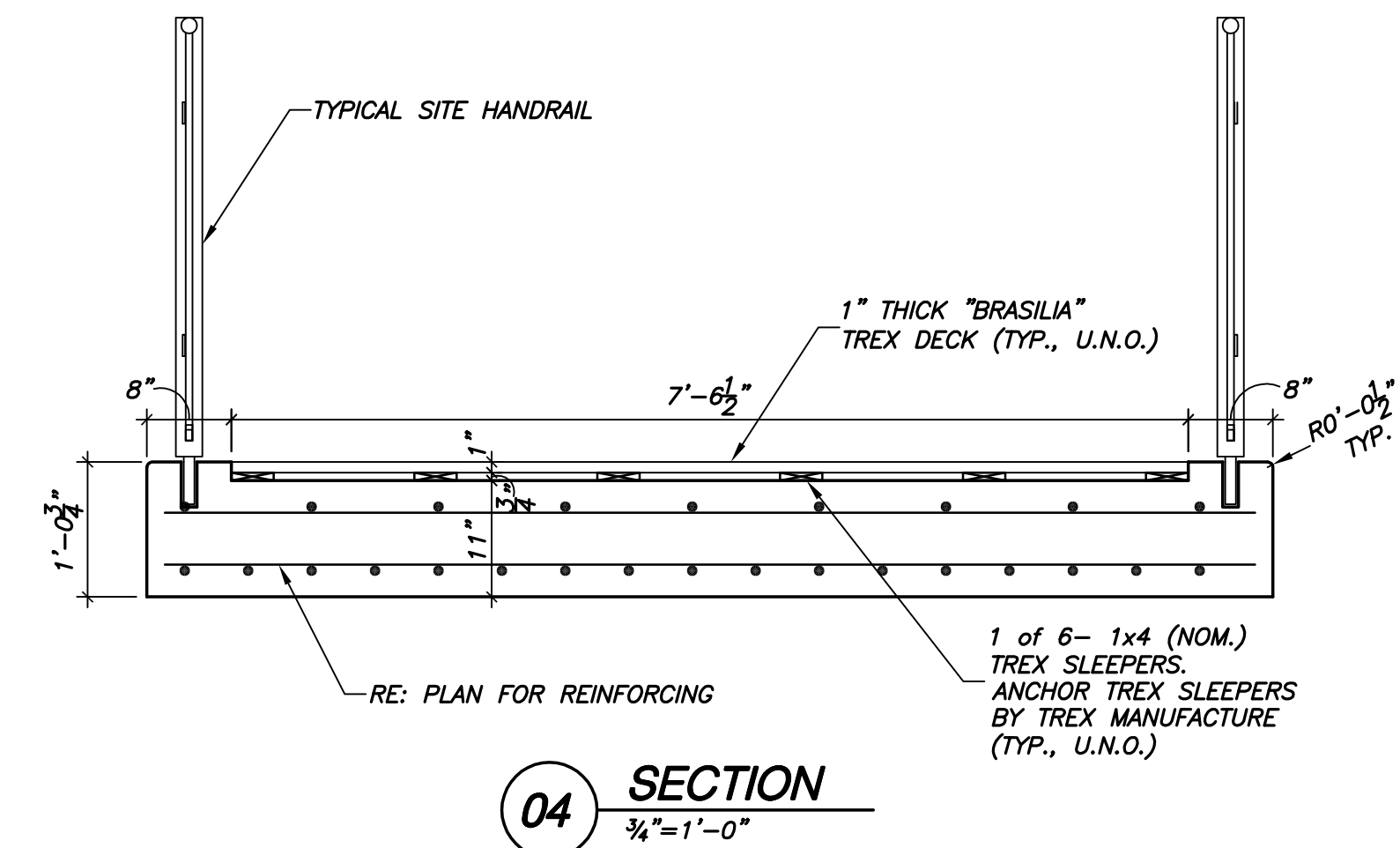
01 SECTION
3/4"=1'-0"



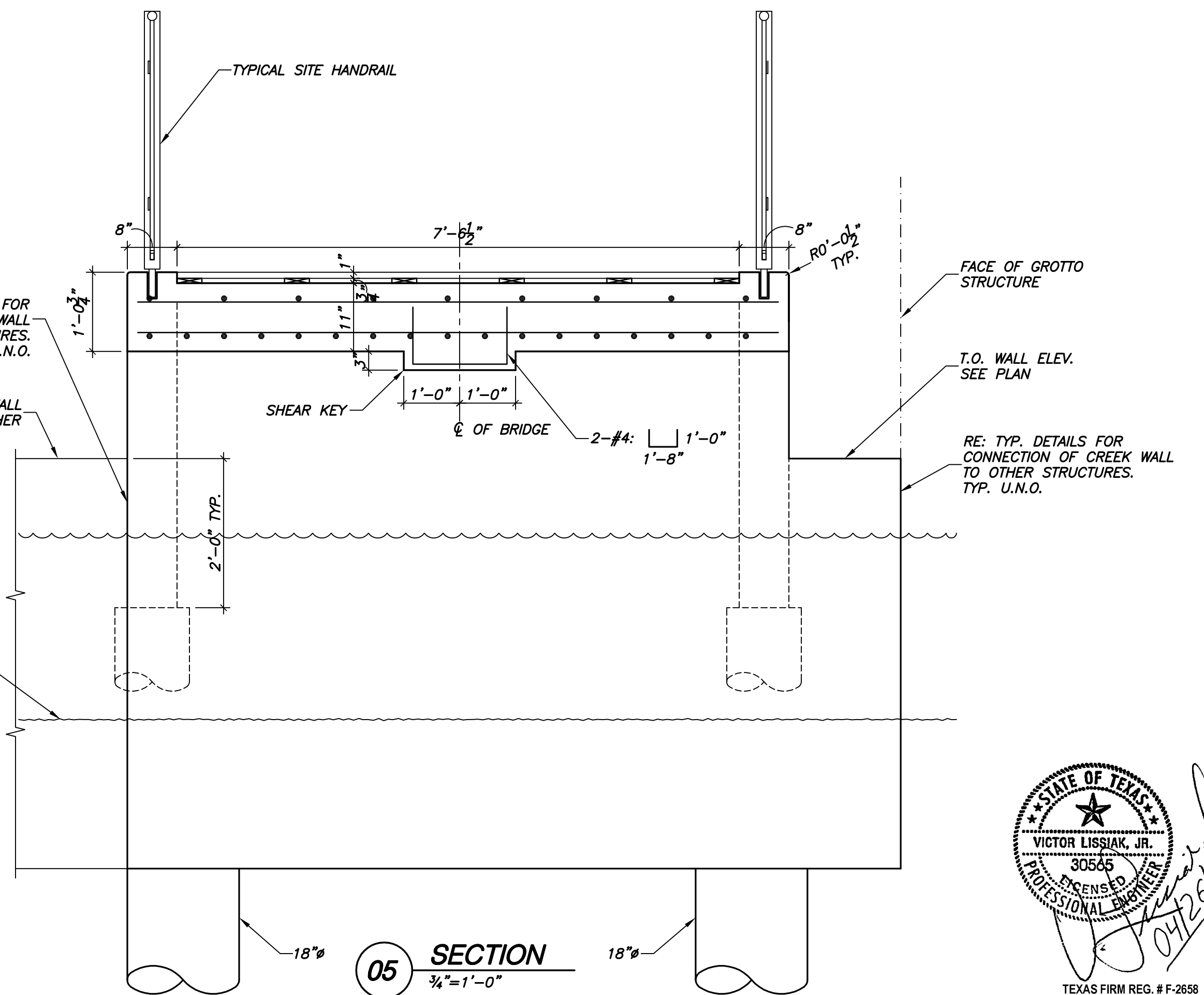
02 TYPICAL 18" DIAMETER PIER
3/4"=1'-0"



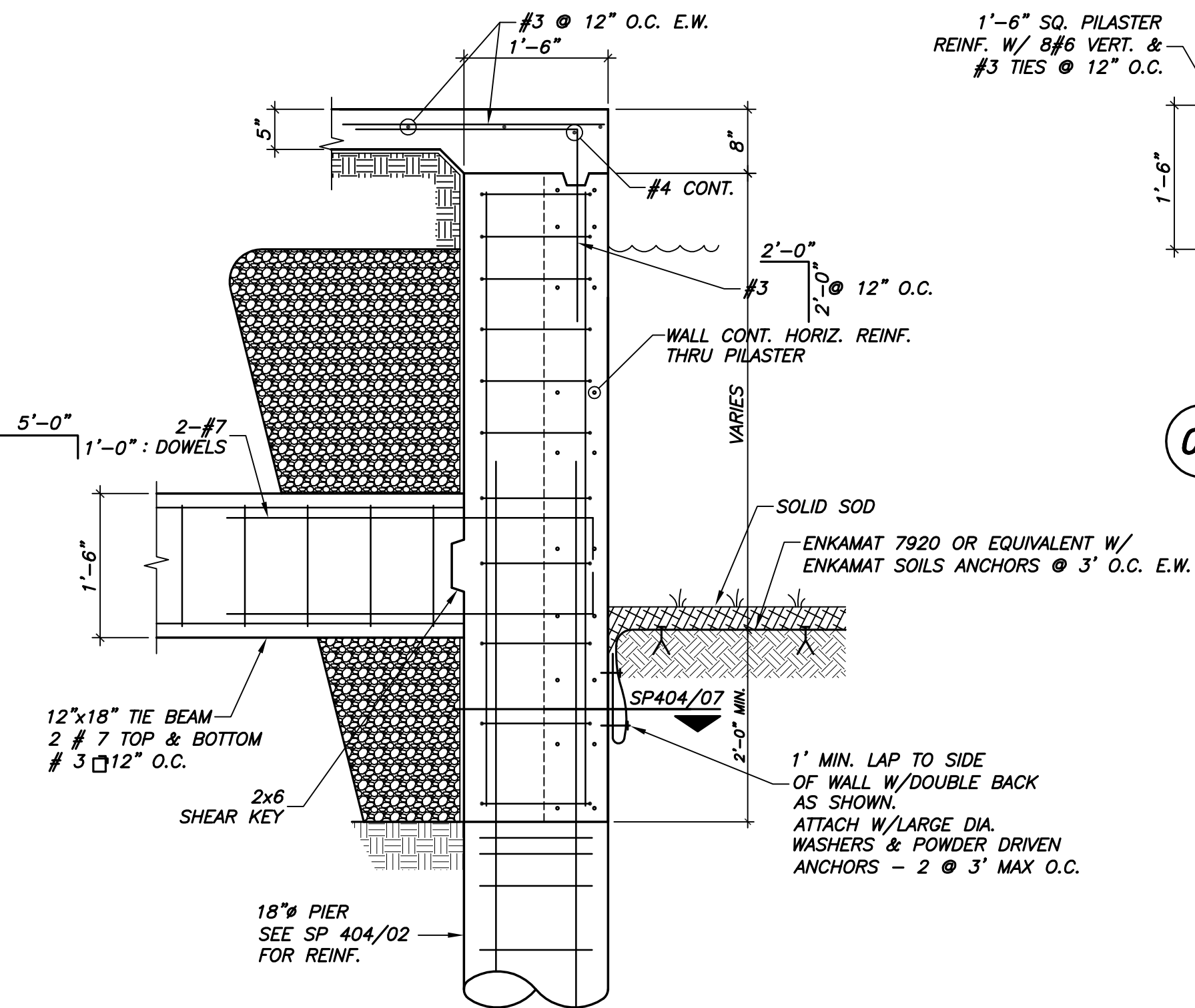
03 TYPICAL 12" DIAMETER PIER
3/4"=1'-0"



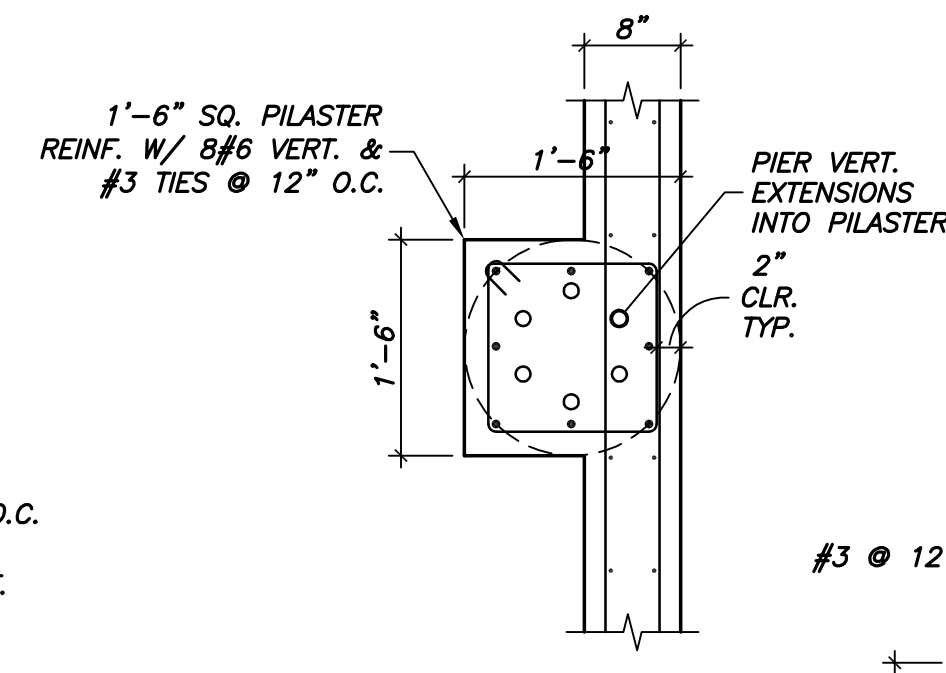
04 SECTION
3/4"=1'-0"



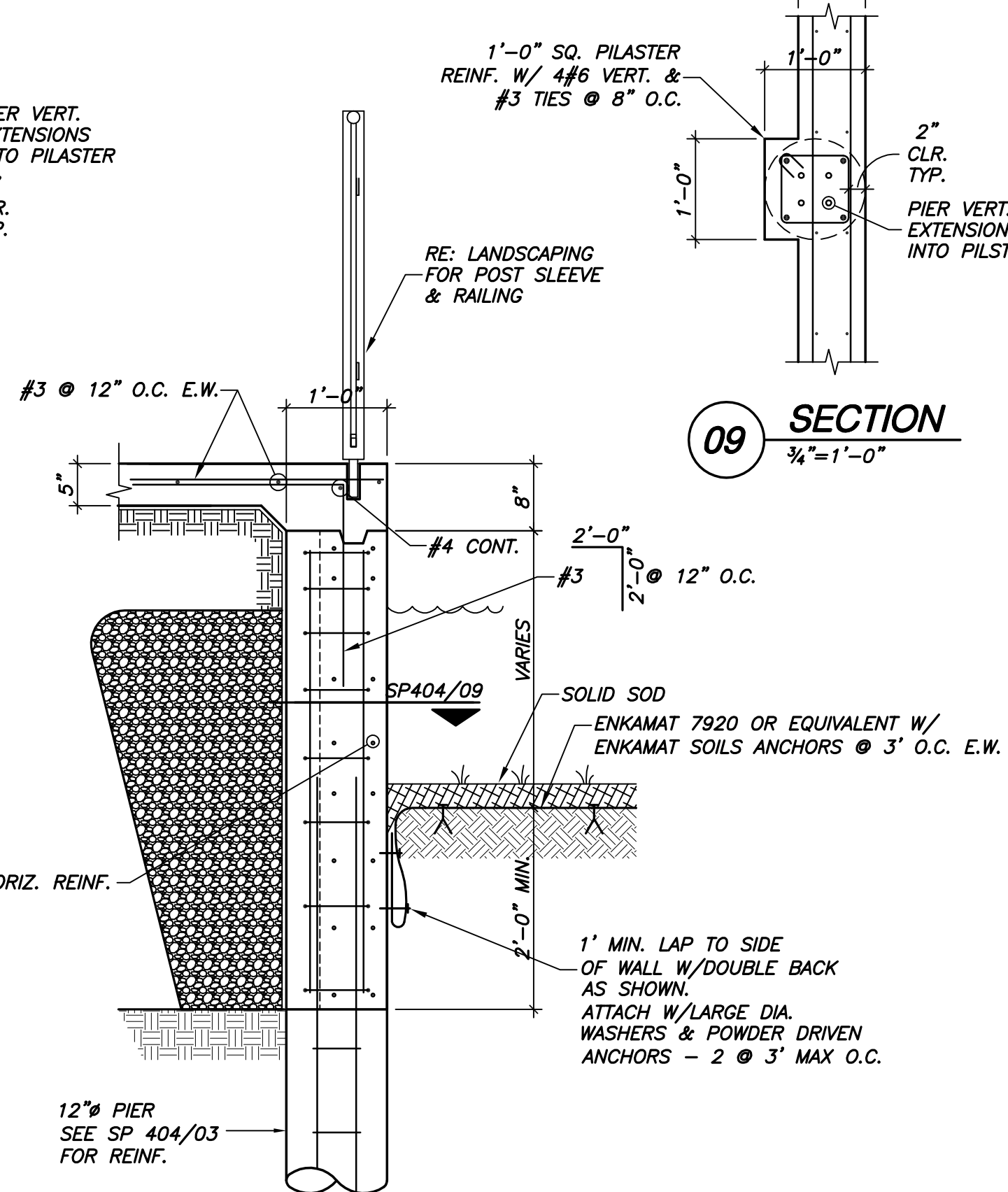
05 SECTION
3/4"=1'-0"



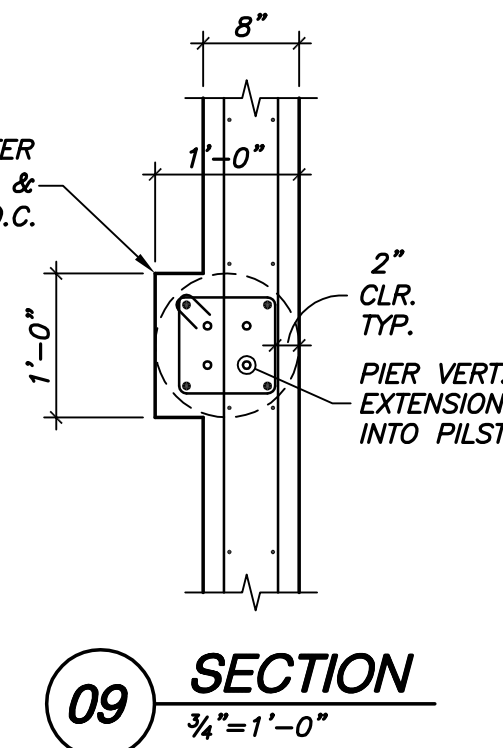
06 SECTION
3/4"=1'-0"



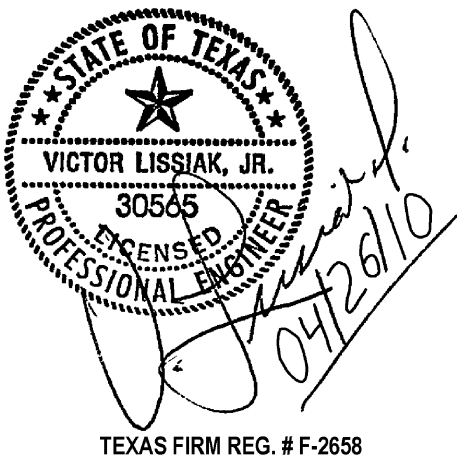
07 SECTION
3/4"=1'-0"



08 SECTION
3/4"=1'-0"



09 SECTION
3/4"=1'-0"



ISSUED FOR CONSTRUCTION 04/26/10

| NO. | REVISION | BY | DATE |
|---|----------|--|---------------|
| ADDISON TOWN OF ADDISON DALLAS COUNTY, TEXAS PARK AND STREETScape IMPROVEMENTS VITRUVIAN PARK SECTIONS & DETAILS | | | |
| VIEWTECH INC. | | 4205 Beltway Dr. - Addison, Texas 75001 (972) 661-8187 Fax (972) 661-8172 | |
| PROJECT | DESIGN | DRAWN | DATE |
| 5029-01 | VL | NERF | APRIL 26 2010 |
| FILE | | | SHEET |
| PW#2009-04 | | | SP404 |