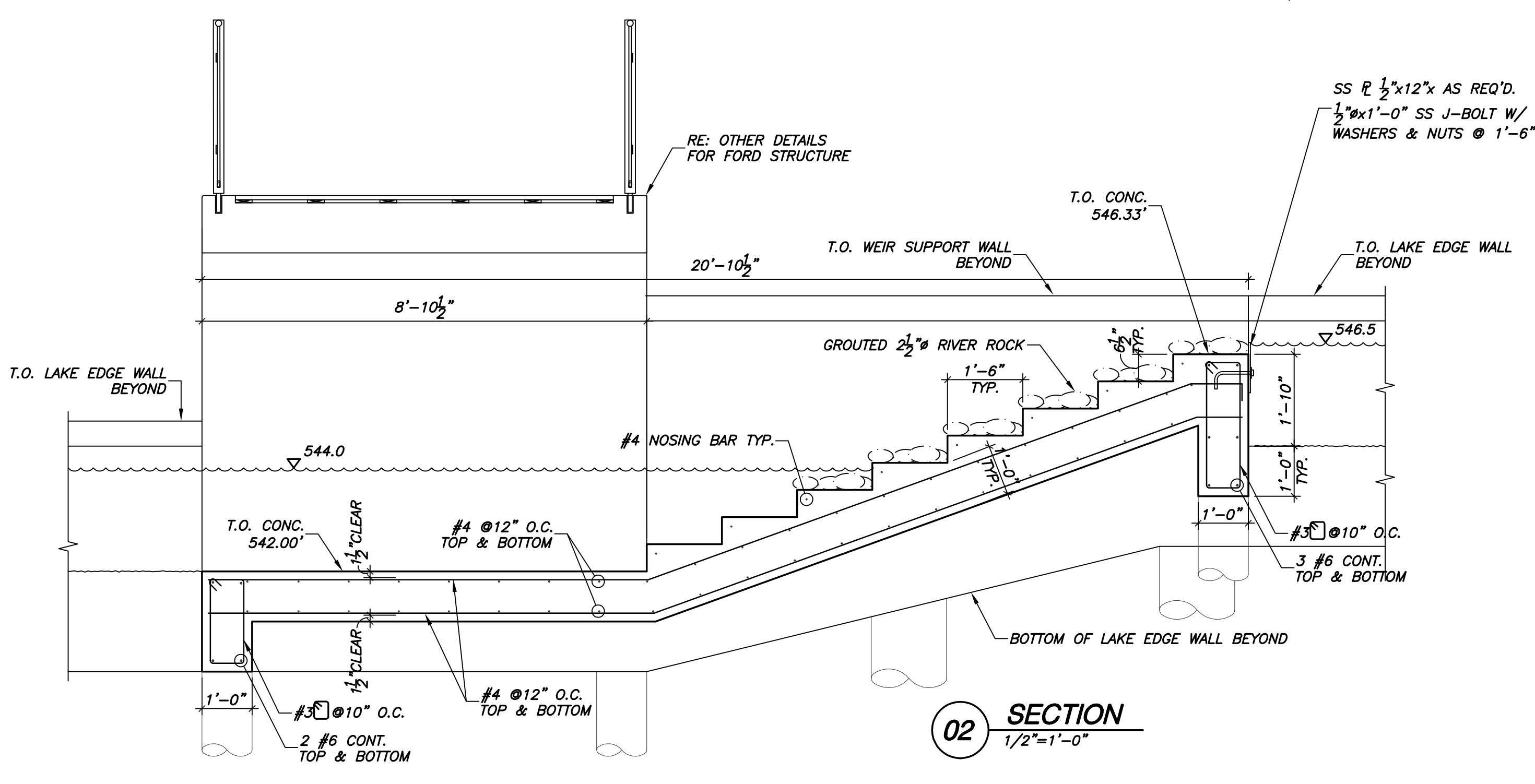
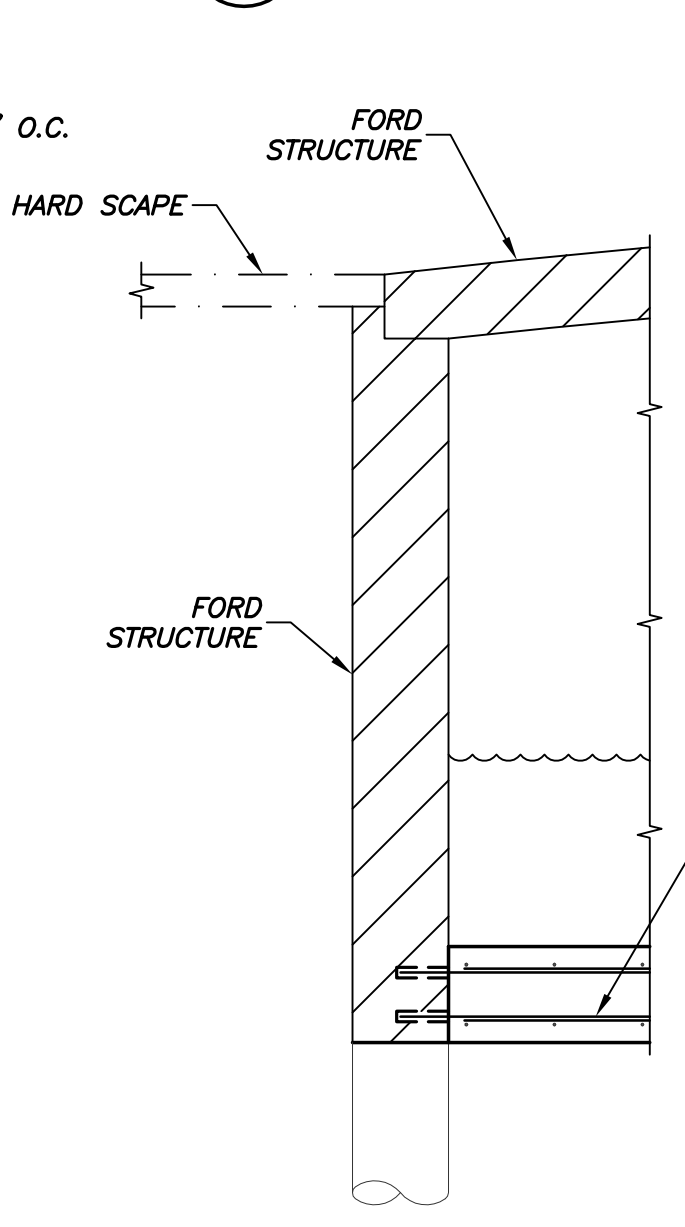


**PIER LEGEND**

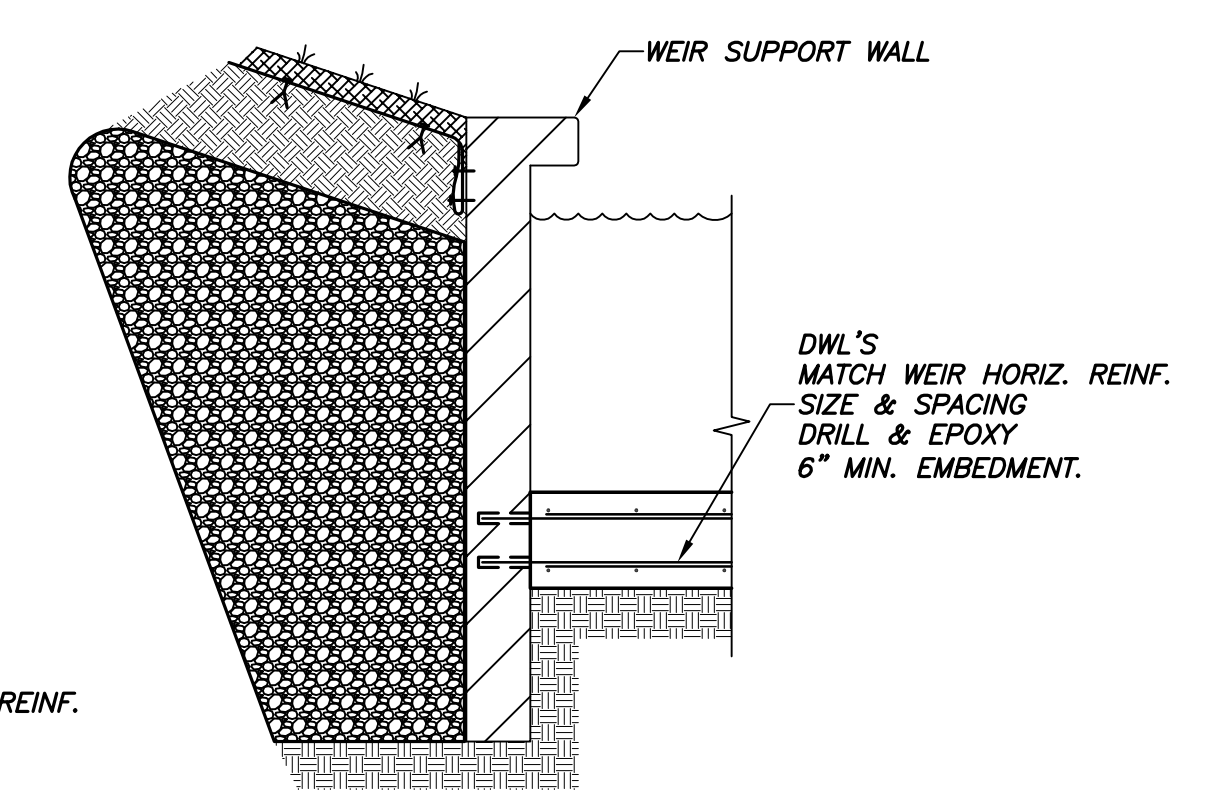
**01 TYPICAL PLAN VIEW OF WEIR UNDER FORD**  
1/2"=1'-0"



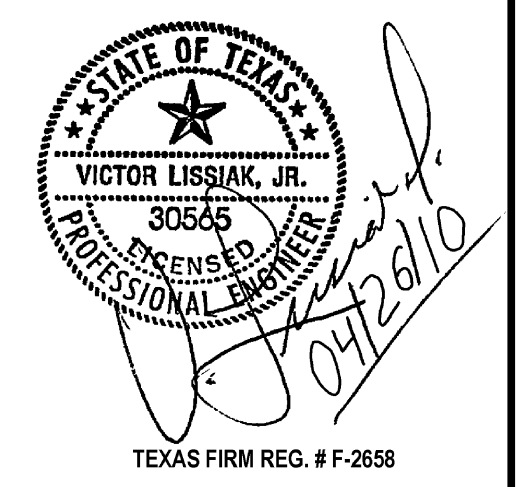
**02 SECTION**  
1/2"=1'-0"



**03 SECTION**  
1/2"=1'-0"



**04 SECTION**  
1/2"=1'-0"



ISSUED FOR CONSTRUCTION 04/26/10

| NO. | REVISION | BY | DATE |
|-----|----------|----|------|
|     |          |    |      |

**TOWN OF ADDISON**  
DALLAS COUNTY, TEXAS

**PARK AND STREETScape IMPROVEMENTS**  
VITRUVIAN PARK

**TYPICAL WEIR SECTIONS & DETAILS**

**VIEWTECH INC.** Structural Engineers  
4205 Beltway Dr. - Addison, Texas 75001  
(972) 661-8187 Fax (972) 661-8172

| PROJECT | DESIGN | DRAWN | DATE          | FILE       | SHEET |
|---------|--------|-------|---------------|------------|-------|
| 5029-01 | VL     | NERF  | APRIL 26 2010 | PW#2009-04 | SP405 |