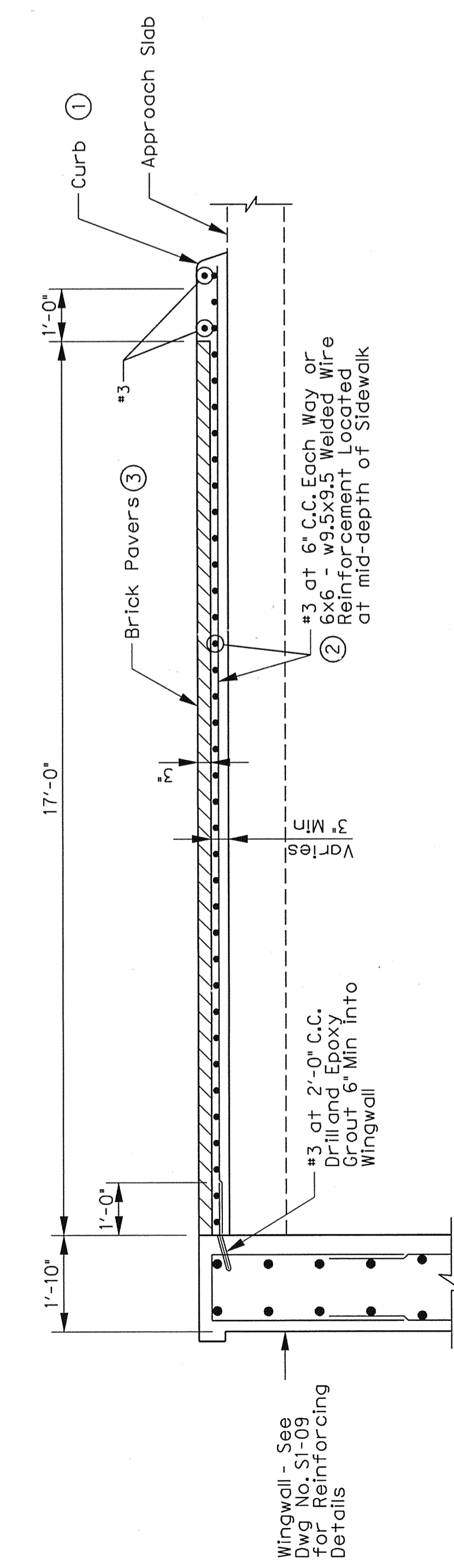


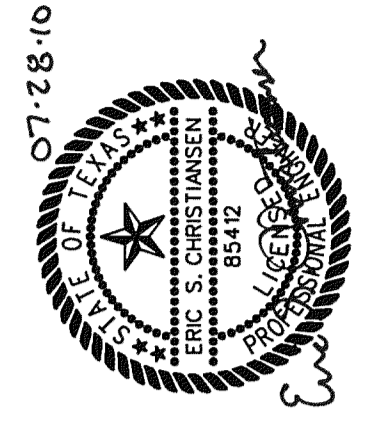
TYPICAL SECTION  
SCALE: 1" = 10'-0"



SIDEWALK ON APPROACH SLAB DETAIL  
SCALE: 1/2" = 1'-0"

- ① See Civil Drawings for Curb Details.
- ② Epoxy coat all sidewalk reinforcing.
- ③ See Landscape Architecture drawings for paver details.

GENERAL NOTES:  
1. FOR BRIDGE PLAN, SEE SHEET 1 OF 3.  
2. FOR BRIDGE ELEVATION, SEE SHEET 2 OF 3.



PROJECT NO.	27379	ESC	AHH	DATE	APRIL 2010	FILE	-	SHEET	S1-03
DESIGN NO.	27379	ESC	AHH	DATE	APRIL 2010	FILE	-	SHEET	S1-03
ADDENDUM NO.	4	ESC	T/28/10	BY	DATE				
TOWN OF ADDISON DALLAS COUNTY, TEXAS VITRUVIAN PARK BRIDGES PONTE AVENUE BRIDGE LAYOUT - TYPICAL SECTION									
<b>HALFF</b> 1201 NORTH BOWSER ROAD, RICHARDSON, TEXAS 75081-2275 TEL (214) 346-6200 FAX (214) 798-0085									