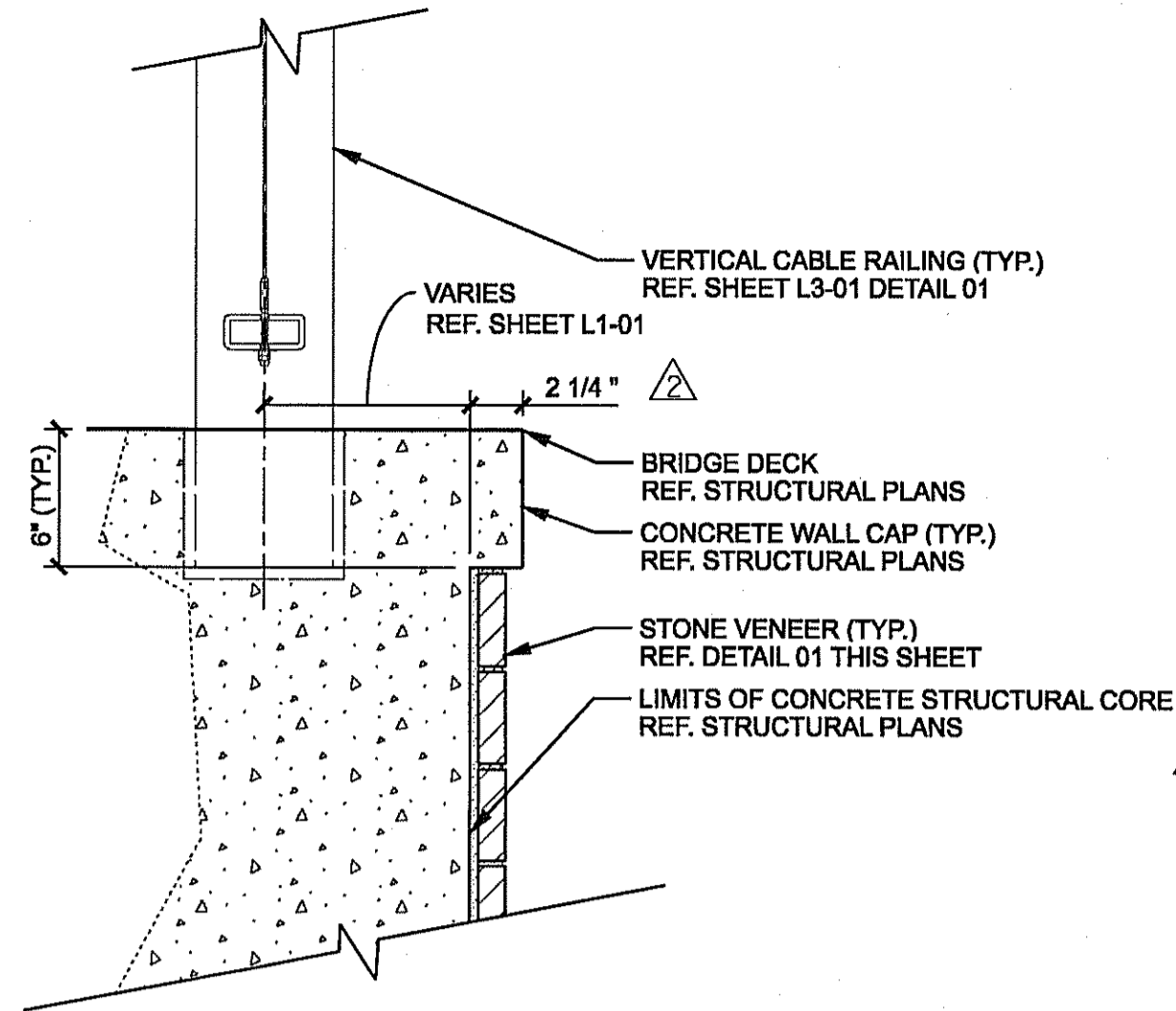
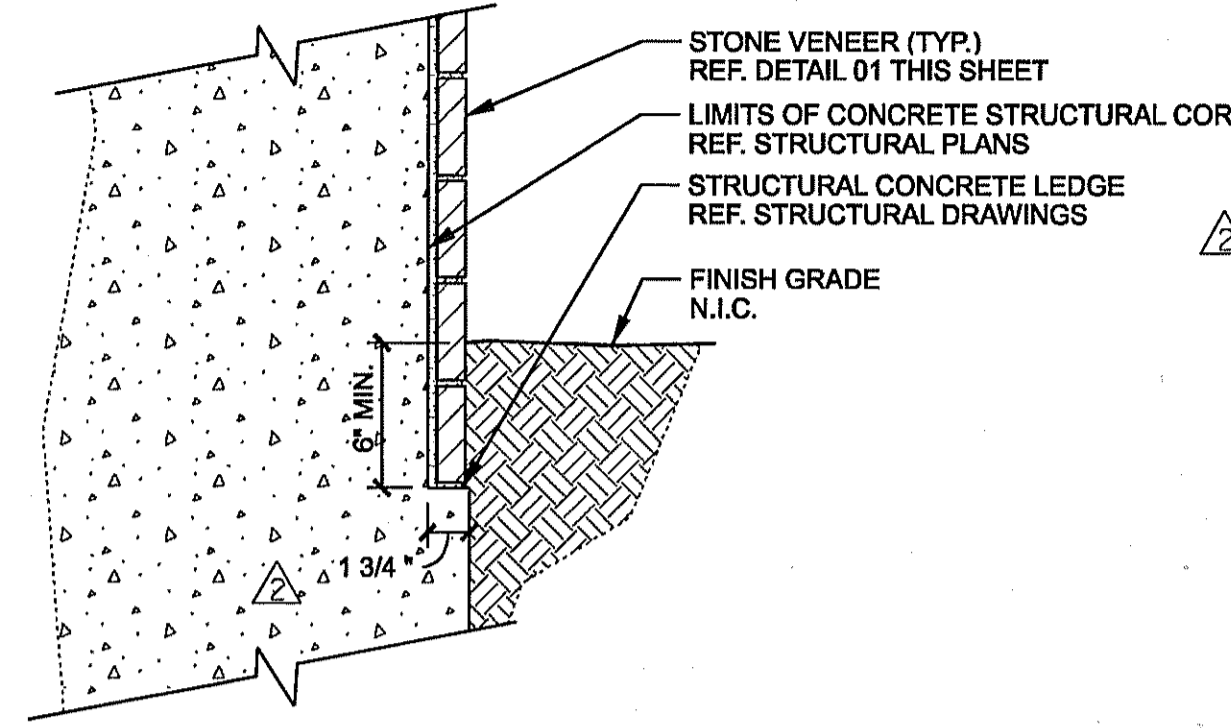


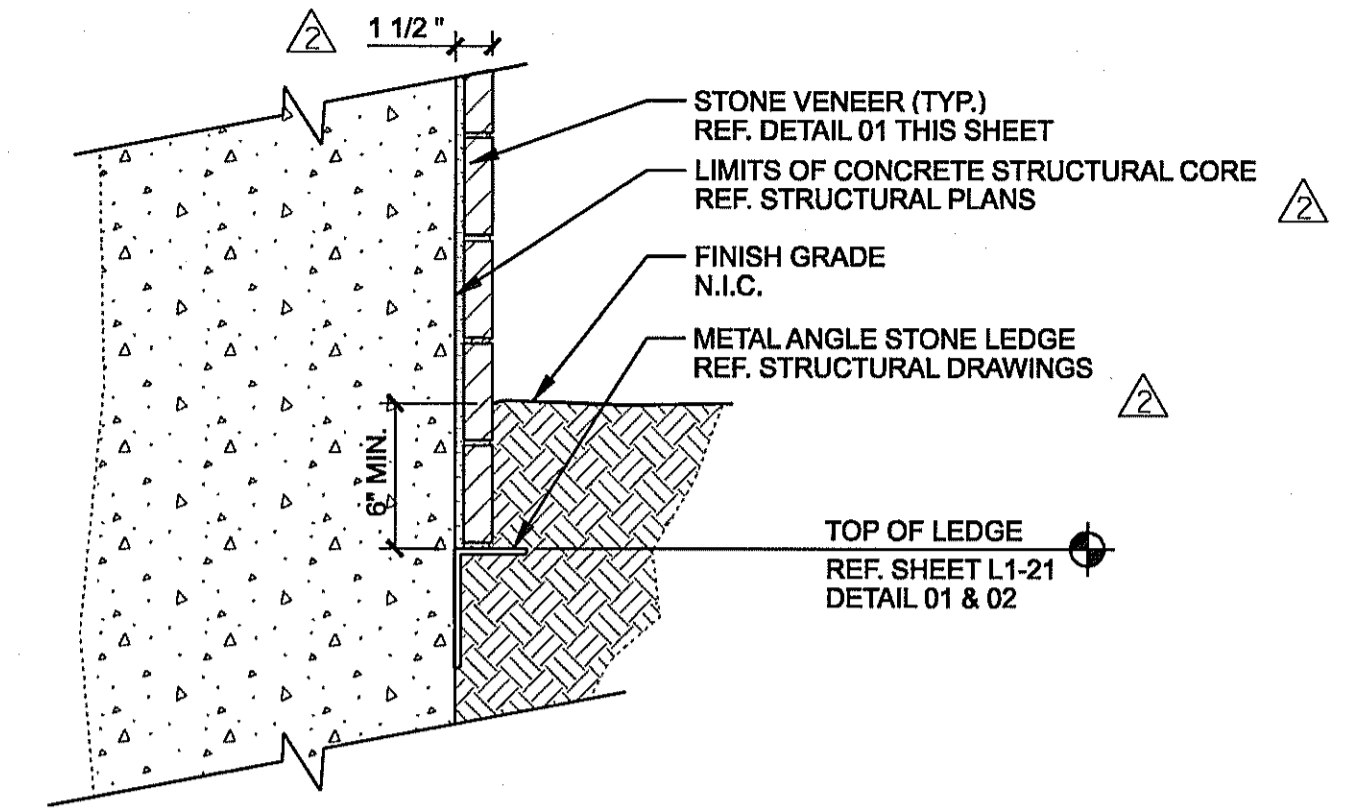
01 STONE WALL (TYP.)
SCALE: 1 1/2"=1'-0"
SECTION



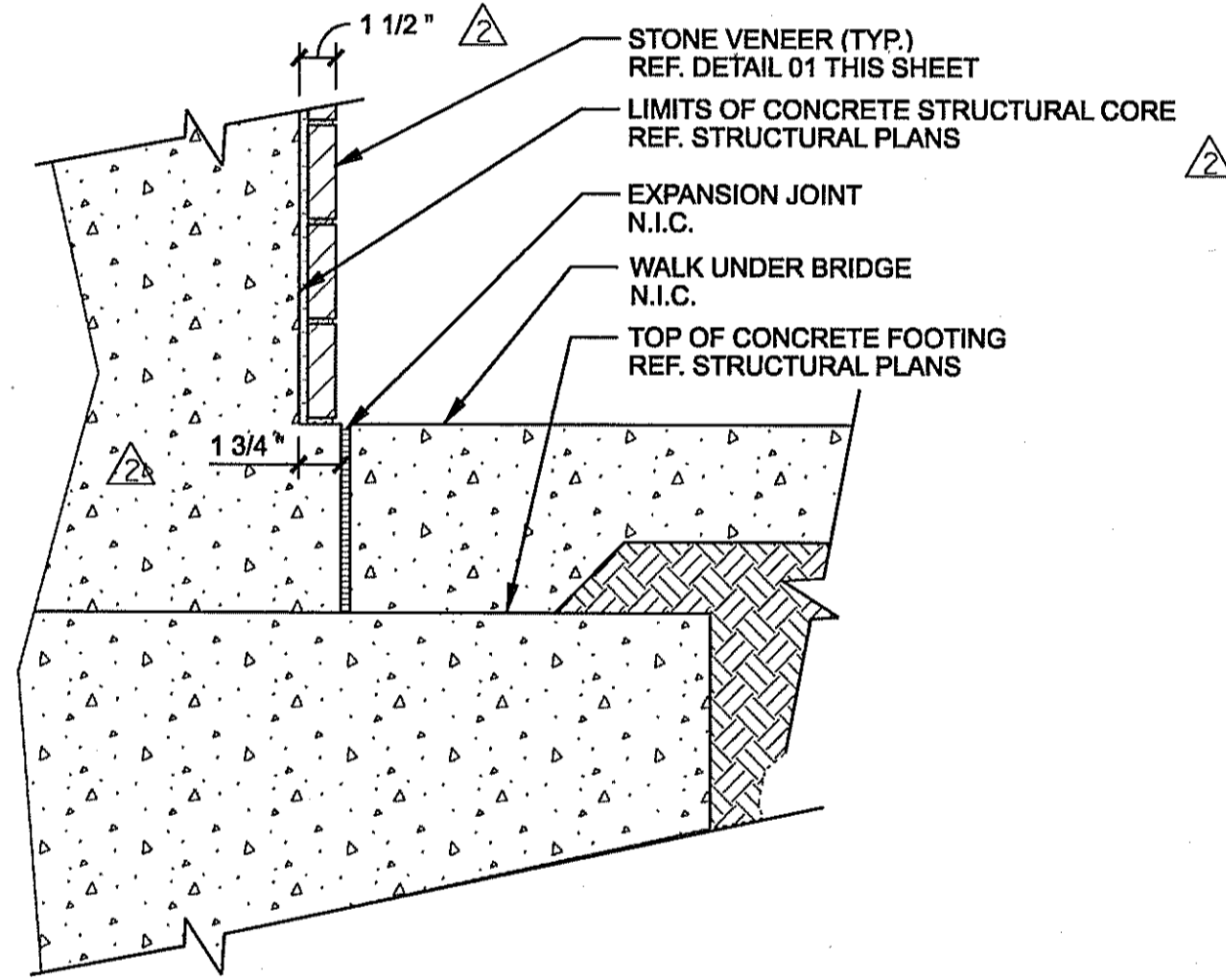
02 STONE VENEER AT WALL CAP (TYP.)
SCALE: 1 1/2"=1'-0"
SECTION



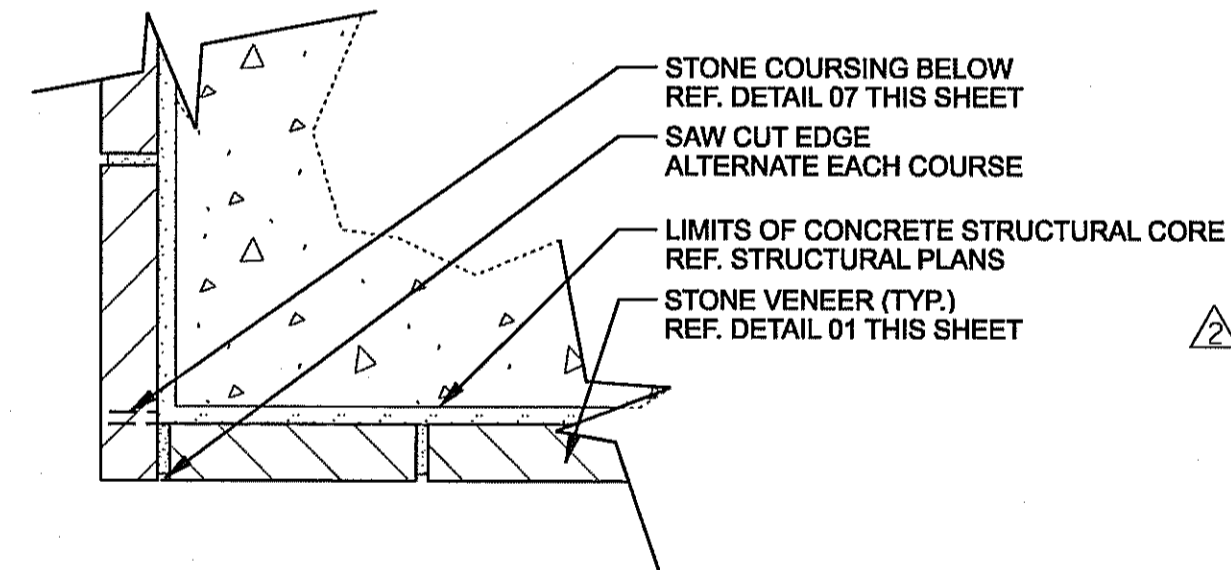
03 VENEER BASE AT CONCRETE LEDGE
SCALE: 1 1/2"=1'-0"
SECTION



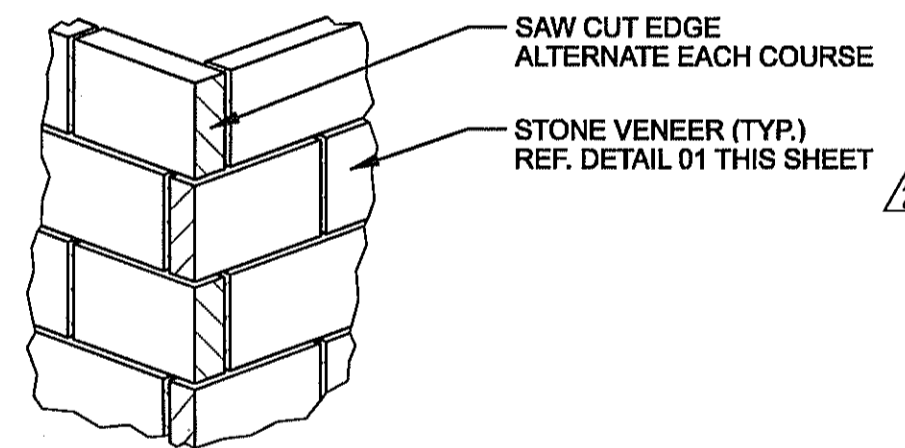
04 VENEER BASE AT STONE LEDGE
SCALE: 1 1/2"=1'-0"
SECTION



05 VENEER BASE BELOW BRIDGE
SCALE: 1 1/2"=1'-0"
SECTION



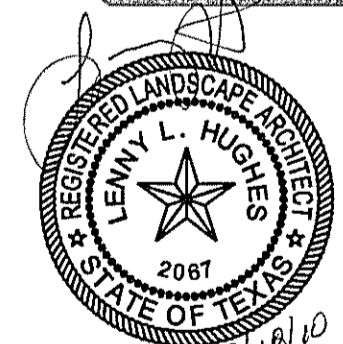
06 CORNER TREATMENT (TYP.)
SCALE: 3"=1'-0"
PLAN



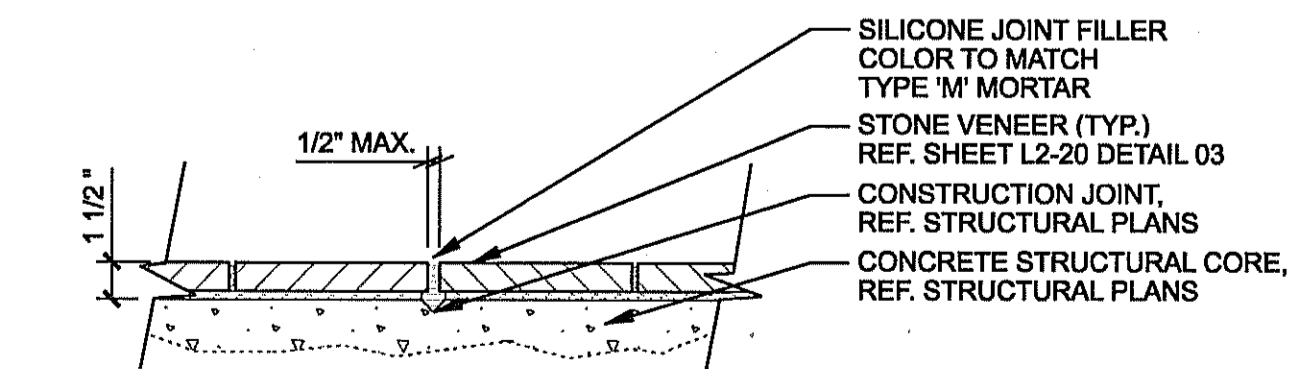
07 CORNER TREATMENT (TYP.)
NOT TO SCALE
ISOMETRIC

DESIGN SELECTION: STRUCTURE

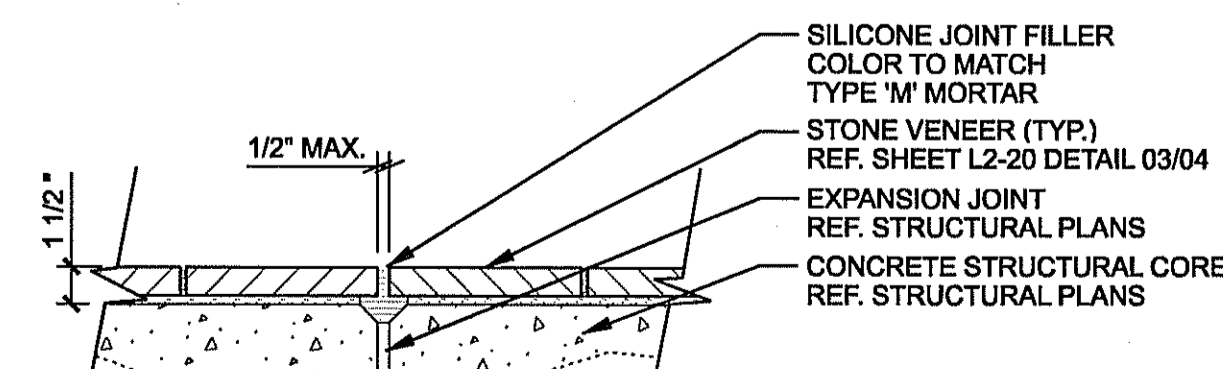
STONE:	
BLUE GREEN CHINESE STONE	
VENEER THICKNESS: 3 cm	
VENEER HEIGHT: 4"	
VENEER LENGTH: 8", 13" AND 21"	
VENEER FINISH: THERMAL	
VENEER EDGES: ALL FOUR SIDES TO BE SAW CUT	
MORTAR: TO MATCH ON SITE MOCK-UP	
COURSING: TO MATCH ON SITE MOCK-UP	
CONCRETE ELEMENTS:	
MASK WALL	
△	FINISH: HEAVY SANDBLAST ALL SIDES
	COLOR: NONE
WALL CAP	
△	FINISH: HEAVY SANDBLAST
	COLOR: NONE
STRUCTURE GENERAL NOTES:	
1. SEE ON-SITE MOCK-UP FOR ALL REFERENCED CONCRETE AND STONE, COLORS AND TEXTURES. FINAL APPROVAL BY OWNER OR OWNERS REPRESENTATIVE IS REQUIRED PRIOR TO WORK COMMENCEMENT.	
2. CONTRACTOR TO PROVIDE A 4' x 4' MOCK-UP OF ALL REFERENCED CONCRETE AND STONE, COLORS AND TEXTURES FOR APPROVAL PRIOR TO WORK COMMENCEMENT.	



THE SEAL APPEARING ON THIS DOCUMENT WAS AUTHORIZED BY LENNY L. HUGHES, R.L.A. #2087 ON 08-18-2010. ALTERATION OF A SEALED DOCUMENT WITHOUT PROPER NOTIFICATION TO THE RESPONSIBLE LANDSCAPE ARCHITECT IS AN OFFENSE UNDER THE TEXAS ENGINEERING PRACTICE ACT. THE RECORD COPY OF THIS DRAWING IS ON FILE AT THE OFFICES OF HALFF ASSOCIATES, INC., 1201 NORTH BOWSER, RICHARDSON, TEXAS 75081. TPE FIRM #F-312



08 CONSTRUCTION JOINT STONE TREATMENT (TYP.)
SCALE: 1 1/2"=1'-0"
SECTION



09 EXPANSION JOINT STONE TREATMENT (TYP.)
SCALE: 1 1/2"=1'-0"
SECTION

△	ADDENDUM #5	JDB	08/18/10
△	ADDENDUM #2	JDB	05/19/10
△	ADDENDUM #1	JDB	05/14/10
NO.	REVISION	BY	DATE

Addison TOWN OF ADDISON
DALLAS COUNTY, TEXAS

VITRUVIAN PARK BRIDGES

GENERAL DETAILS

HALFF 1201 NORTH BOWSER ROAD, RICHARDSON, TEXAS 75081-2275
TEL (214) 346-6200 FAX (214) 739-0095

PROJECT	DESIGN	DRAWN	DATE	FILE	SHEET
27379	JDB	AHH	APRIL 2010	-	L3-03