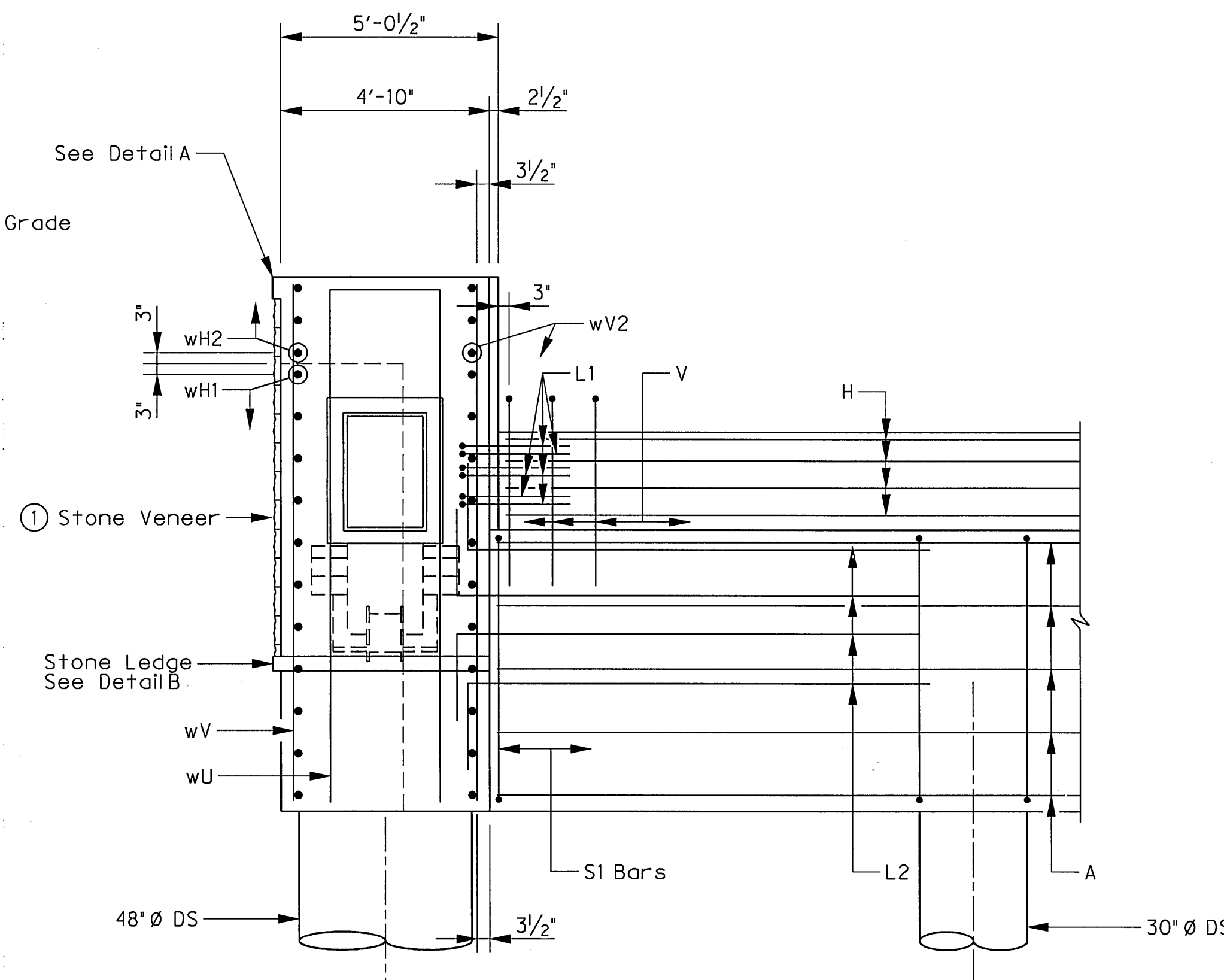


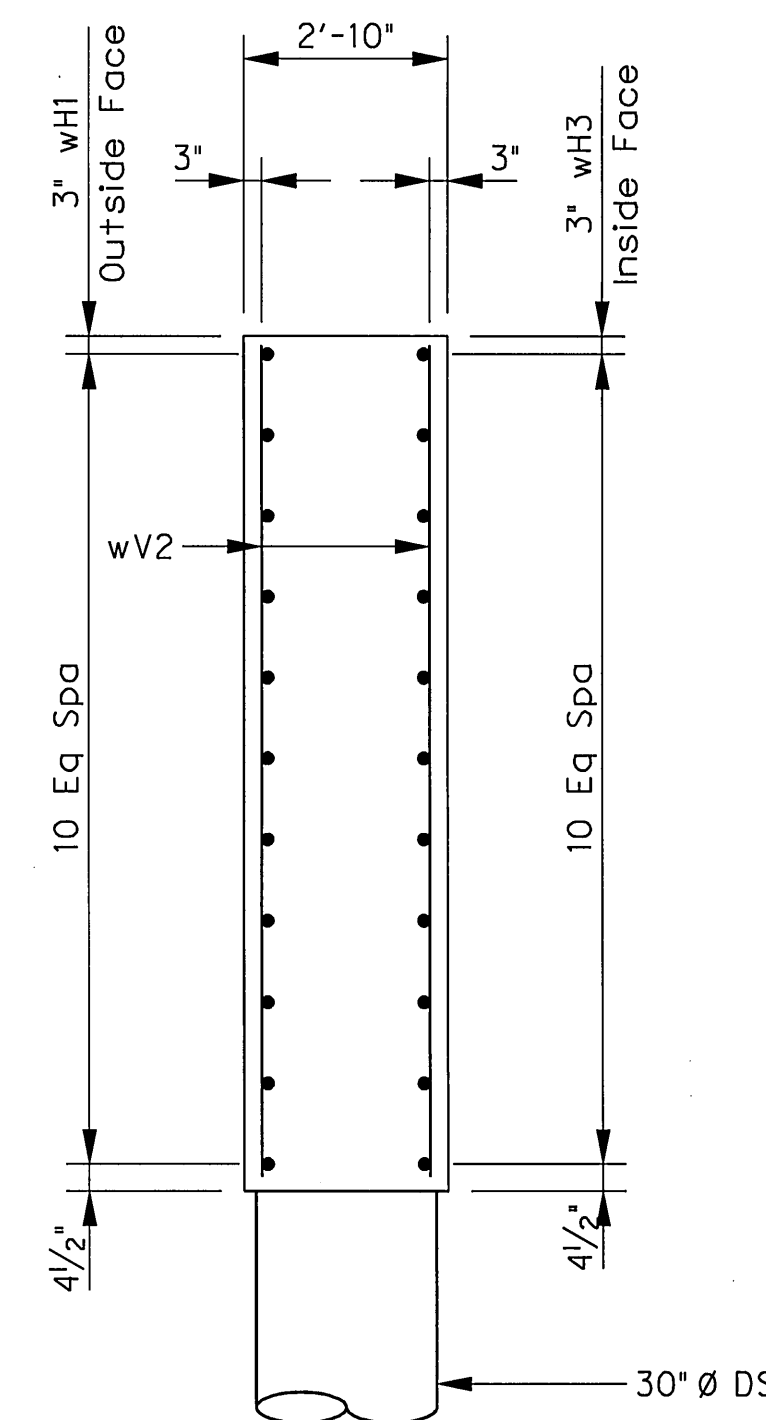
WINGWALL ELEVATION
SCALE: 3/8" = 1'-0"

③ Precast ledge to be installed after arch is erected. See Note 2 below for attachment.

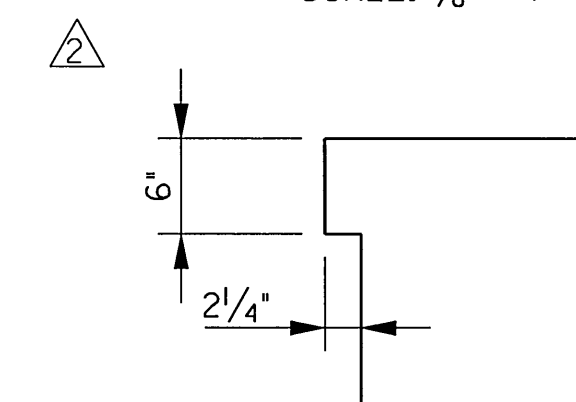


SECTION A-A
SCALE: 3/8" = 1'-0"

① Stone ledge shall be a 5 x 3 x 1/4" angle with 1/2" Ø Hilti Kwik Bolt 3 expansion anchors embedded a minimum of 3 1/2" and spaced at 1'-6" C.C. Refer to landscape architecture sheets for location of stone veneer and stone ledges.



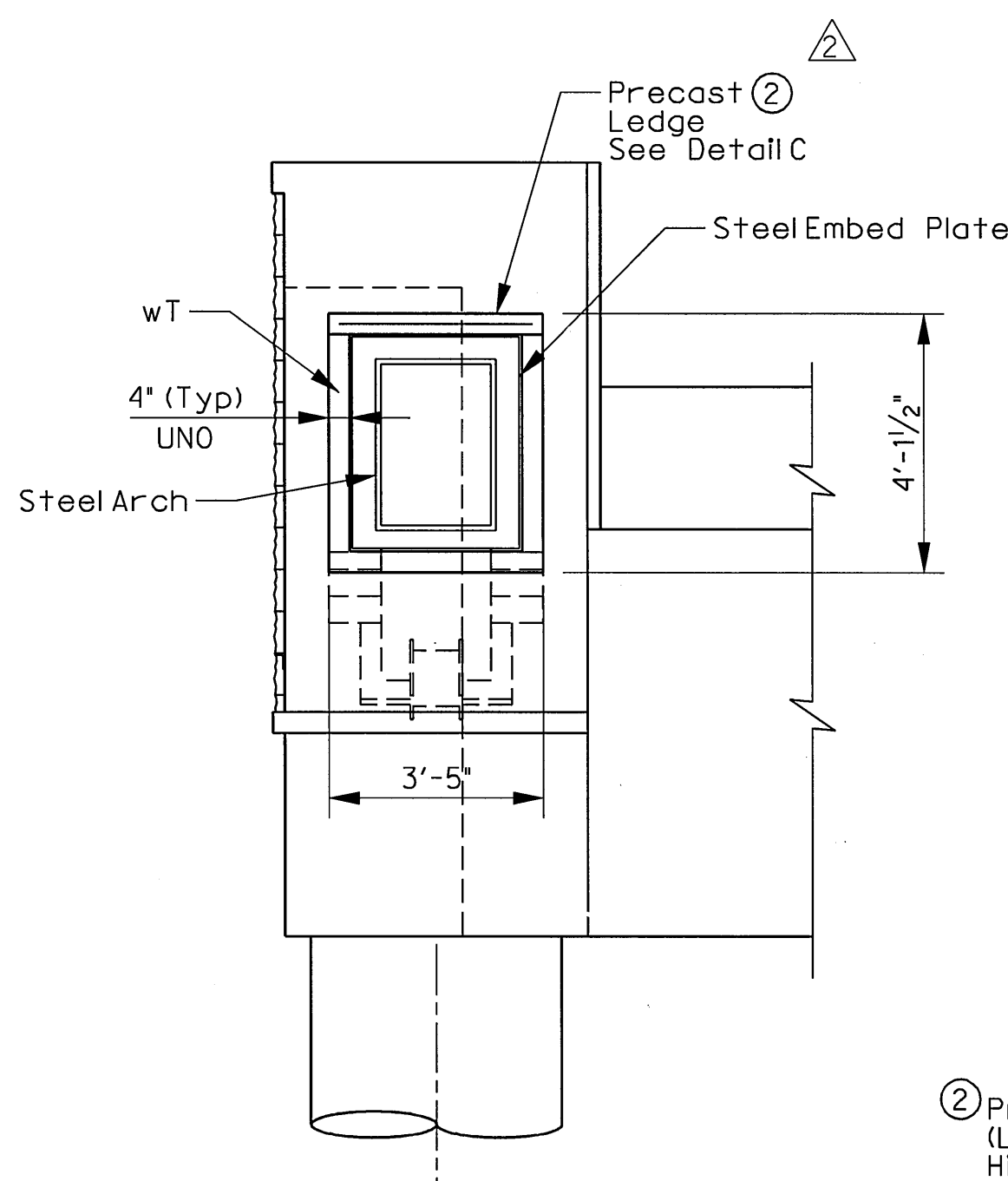
SECTION B-B
SCALE: 3/8" = 1'-0"



DETAIL A
SCALE: 3/8" = 1'-0"

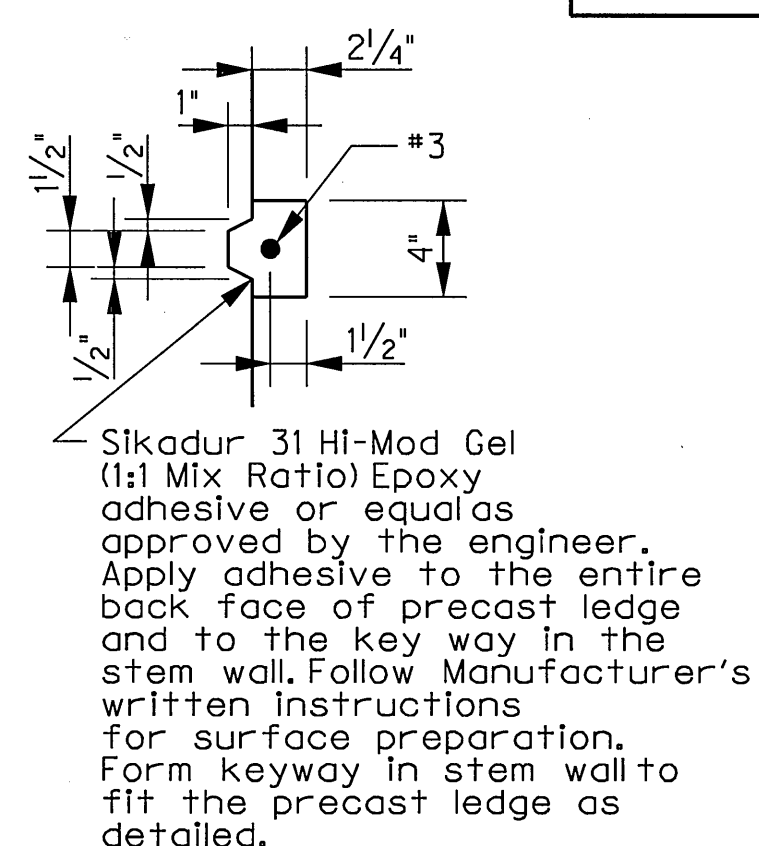
TABLE A - WINGWALL LEDGE ELEVATIONS

NORTH ABUTMENT		SOUTH ABUTMENT	
EAST WW	WEST WW	EAST WW	WEST WW
557.0	555.0	557.0	557.0



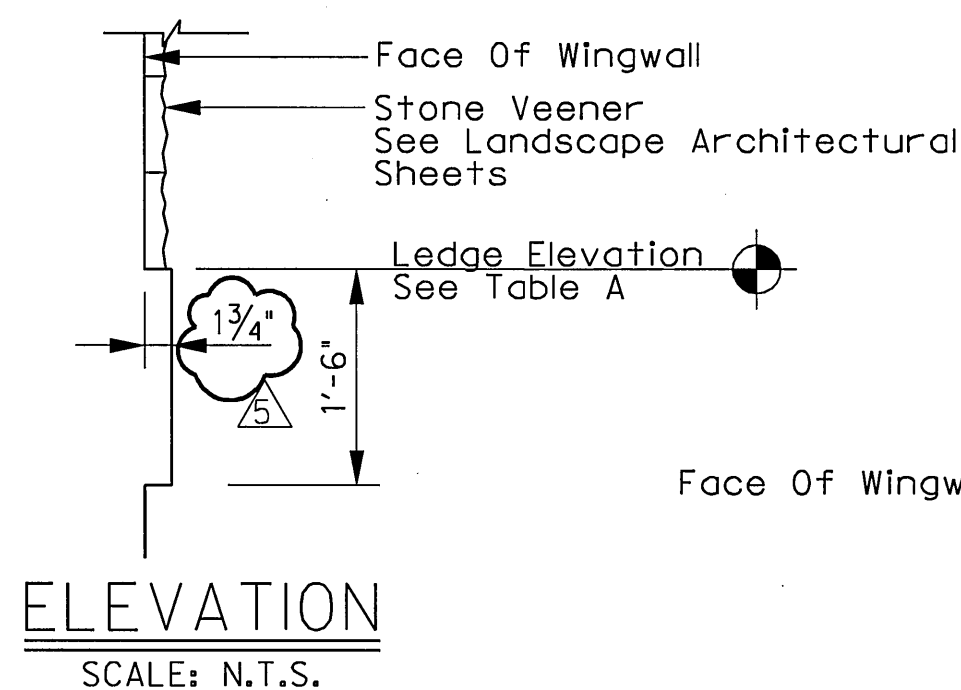
STONE COLLAR DETAILS
SCALE: 3/8" = 1'-0"

Note: See Wingwall Elevation and Section A-A for abutment details and reinforcing not shown.

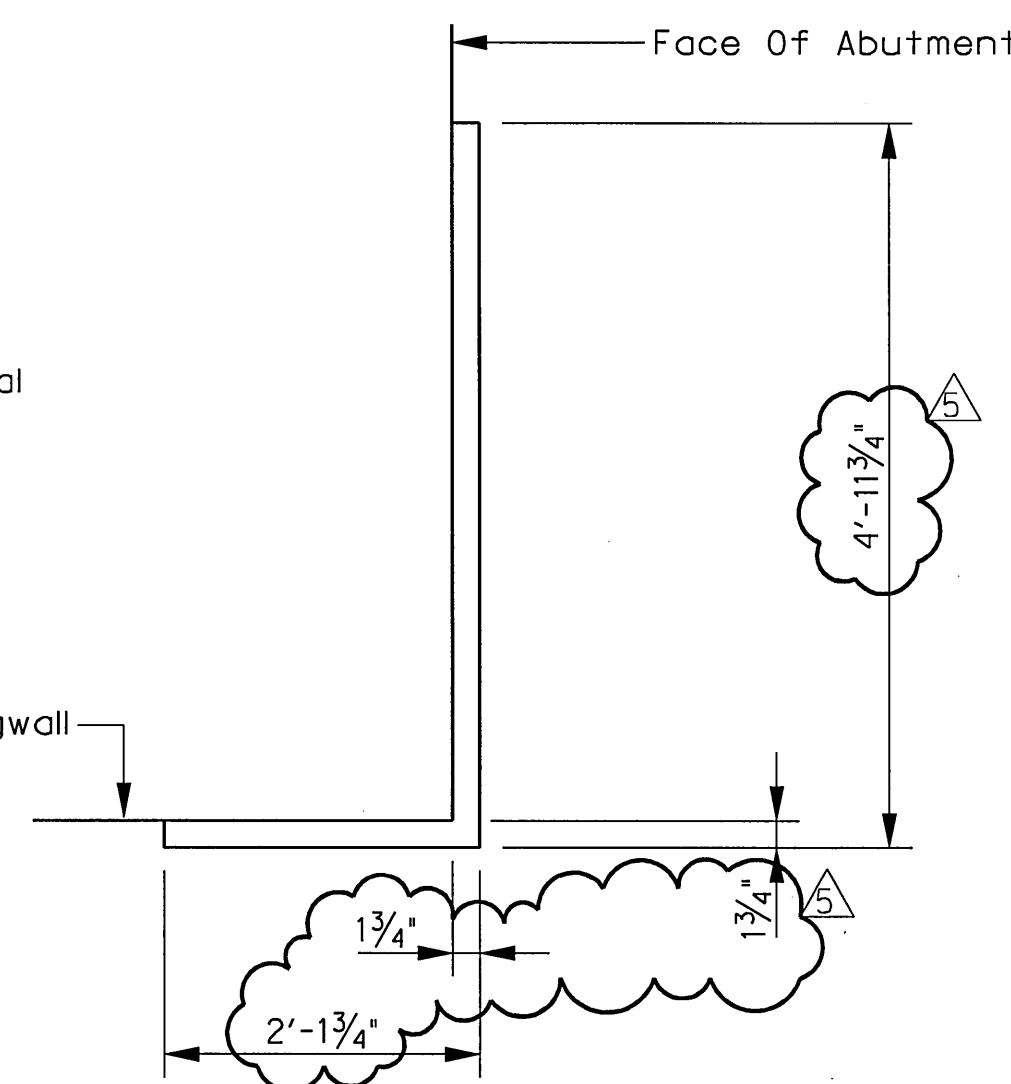


DETAIL C
SCALE: N.T.S.

② Prior to Arch Installation a temporary stone support (L5 x 3 x 1/4" (LLV)) shall be used. Installation with three 1/2" Ø Hilti Kwik Bolt 3 expansion anchors embedded 3 1/2" min. Coordinate removal of stone veneer and temporary stone support with steel arch erector. Replace the temporary stone ledge with precast ledge after arch has been installed. At the Contractor's option, the stone veneer may be installed after the Arch is fully erected. If this option is used, the temporary stone support (L5 x 3 x 1/4") is not needed. For either option, the precast ledge shall be installed only after the Arch is fully erected.

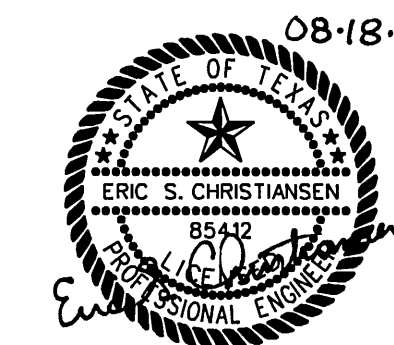


ELEVATION
SCALE: N.T.S.



PLAN
SCALE: N.T.S.

DETAIL B
SCALE: N.T.S.



08-18-10
THE SEAL APPEARING ON THIS DOCUMENT WAS AUTHORIZED BY ERIC S. CHRISTIANSEN, P.E. #8542 ON 08-18-2010. ALTERATION OF A SEALED DOCUMENT WITHOUT PROPER NOTIFICATION TO THE RESPONSIBLE ENGINEER IS AN OFFENSE UNDER THE TEXAS ENGINEERING PRACTICE ACT. THE RECORD COPY OF THIS DRAWING IS ON FILE AT THE OFFICES OF HALFF ASSOCIATES, 1201 NORTH BOWSER ROAD, RICHARDSON, TEXAS, 75081. TYPE FIRM #P-312.

NO.	REVISION	BY	DATE
①	Addendum #5	ESC	08/18/10
②	Addendum #2	ESC	05/19/10

HALFF 1201 NORTH BOWSER ROAD, RICHARDSON, TEXAS 75081-2275
TEL (214) 348-6200 FAX (214) 739-0095

PROJECT	DESIGN	DRAWN	DATE	FILE	SHEET
27379	ESC	AHH	APRIL 2010	-	S2-07