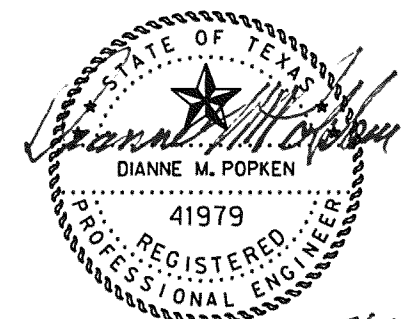


LIGHT FIXTURE SCHEDULE					
MARK	MANUFACTURER/ MODEL	VOLTAGE	LAMP	DESCRIPTION	FUNCTION
A	SHERIDAN (2)SH82-25M-3-H2-CA10-B-SP25-14-RTC-20-SLR ABS LIGHTING 3-5700-HFM-150MH-240-EL-YMS-CD3-CC-SLV	240	2-250W CMH ED28 3-150W CMH ED17	DOUBLE FIXTURE ROADWAY ASSEMBLY ON ROUND TAPERED STEEL POLE WITH 12" WELDED BASE PLATE, LUG NUT COVERS AND ROADWAY FIXTURES WITH CAST ALUMINUM BALLAST CHAMBER, SPUN ALUMINUM DECORATIVE SKIRT, IES TYPE II, FULL CUT OFF, SILVER FINISH, STAINLESS STEEL HARDWARE, ANCHOR BOLTS PER STRUCTURAL DETAIL AND THREE FLOOD LIGHTS WITH ALUMINUM HOUSING, ALUMINUM DOOR/LENS, DOOR SAFETY CHAIN, STEEL YOKE MOUNT, EGG-CRATE LOUVER AND SILVER FINI.	PONTE BRIDGE ROADWAY 20' POLE WITH TWO STREETLIGHTS AND THREE SPOT LIGHTS
B	SHERIDAN (1)SH82-150M-3-H2-CA10-B-SP15-14-RTC-20-SLR	240	1-175W MH ED28	SINGLE FIXTURE ROADWAY ASSEMBLY ON ROUND TAPERED STEEL POLE WITH , LUG NUT COVERS AND ROADWAY FIXTURE WITH CAST ALUMINUM BALLAST CHAMBER, SPUN ALUMINUM DECORATIVE SKIRT, IES TYPE II, FULL CUT OFF, SILVER FINISH, STAINLESS STEEL HARDWARE AND ANCHOR BOLTS PER STRUCTURAL DETAIL.	BELLA BRIDGE ROADWAY 15' POLE WITH ONE STREET LIGHT
C	BEGA 9801MH BEGA 0908HR 9'-8" HINGED POLE	240	1-50W ED17 MH	SINGLE PEDESTRIAN LEVEL POLE MOUNTED FIXTURE ON 5" TO 3" DIAMETER TAPERED AND HINGED POLE. THE SINGLE FIXTURE ON SPREADER ARM AND POLE EXTENSION HAS FLAT GLASS ANCHOR BOLTS PER STRUCTURAL DETAIL AND SILVER FINISH.	SOUTH PEDESTRIAN BRIDGE 9' 8" TAPERED WITH 5"
D1	BEGA CUS1909-58-311	240	1-CMH39MR1625	METAL HALIDE FLOOD WITH MACHINED ALUMIN CONSTRUCTION, KNUCLE MOUNT, SEALED OPTICAL COMPARTMENT , CLEAR TEMPERED GLASS LENS, TAMPERPROOF DESIGN SILVER FINISH, AND MOUNTED ON SURFACE BALLAST HOUSING OF EXTRUDED ALUMINUM, CAST END CAPS, MULTI-TAP ELECTRONIC BALLAST, TAMPER RESISTANT, STAINLESS STEEL MOUNTING SCREWS, SILVER FINISH.	PONTE CABLES SURFACE MOUNT 35 W METAL HALIDE
D2	BEGA CUS1909-58-312	240	1-ES 16 MH	METAL HALIDE FLOOD WITH MACHINED ALUMIN CONSTRUCTION, KNUCLE MOUNT, SEALED OPTICAL COMPARTMENT , CLEAR TEMPERED GLASS LENS, TAMPERPROOF DESIGN SILVER FINISH, AND MOUNTED ON SURFACE BALLAST HOUSING OF EXTRUDED ALUMINUM, CAST END CAPS, MULTI-TAP ELECTRONIC BALLAST, TAMPER RESISTANT, STAINLESS STEEL MOUNTING SCREWS, SILVER FINISH.	PONTE CABLES SURFACE MOUNT 35 W METAL HALIDE

LIGHT FIXTURE SCHEDULE					
MARK	MANUFACTURER/ MODEL	VOLTAGE	LAMP	DESCRIPTION	FUNCTION
D3	BEGA CUS-1909-58-312	240	1-ES 16 MH	METAL HALIDE FLOOD WITH MACHINED ALUMIN CONSTRUCTION, KNUCLE MOUNT, SEALED OPTICAL COMPARTMENT , CLEAR TEMPERED GLASS LENS, TAMPERPROOF DESIGN SILVER FINISH, AND MOUNTED ON SURFACE BALLAST HOUSING OF EXTRUDED ALUMINUM, CAST END CAPS, MULTI-TAP ELECTRONIC BALLAST, TAMPER RESISTANT, STAINLESS STEEL MOUNTING SCREWS, SILVER FINISH.	
D4	BEGA CUS-1909-58-312	240	1-ES 16 MH	METAL HALIDE FLOOD WITH MACHINED ALUMIN CONSTRUCTION, KNUCLE MOUNT, SEALED OPTICAL COMPARTMENT , CLEAR TEMPERED GLASS LENS, TAMPERPROOF DESIGN SILVER FINISH, AND MOUNTED ON SURFACE BALLAST HOUSING OF EXTRUDED ALUMINUM, CAST END CAPS, MULTI-TAP ELECTRONIC BALLAST, TAMPER RESISTANT, STAINLESS STEEL MOUNTING SCREWS AND SILVER FINISH.	
D5	BEGA CUS-1909-59-310/312	240	1-ES 16 MH	METAL HALIDE FLOOD WITH MACHINED ALUMIN CONSTRUCTION, KNUCLE MOUNT, SEALED OPTICAL COMPARTMENT , CLEAR TEMPERED GLASS LENS, TAMPER PROOF DESIGN, SILVER FINISH, AND MOUNTED ON SURFACE BALLAST HOUSING OF EXTRUDED ALUMINUM, CAST END CAPS AND WITH 24 INCH 2 1/4 DIA MACHINED ALUMINUM TUBE, MULTI-TAP ELECTRONIC BALLAST.	
E	BEGA CUS1909-58-311	120 PRI 24V AC	LED	LINEAR BRACKET MOUNTED LED FIXTURE EIGHT FEET LONG WITH EXTRUDED ALUMINUM HOUSING, STAINLESS STEEL HARDWARE, 40 DEGREE BEAM ANGLE, 6500K COOL WHITE LED LAMPS, COMPLETE WITH 24 VOLT POWER SUPPLY IN WEATHER PROFF ENCLOSURE.	PONTE BOTTOM PART OF ARCH SIDE RECESS
F	BEGA 6538MH	120	1-50W ED-17 MH	BRACKET MOUNTED METAL HALIDE WITH CAST ALUMINUM HOUSING, UP TO 12 DEGREE TILT, TEMPERED CLEAR GLASS, STAINLESS STEEL SCREWS, SILICONE RUBBER GASKET, ELECTRONIC BALLAST AND SILVER FINISH.	PONTE UNDER BRIDGE
G	BEGA 2287P	120	1-13W CF TWIN TUBE	WALL MOUNT FLUORESCENT CONSTRUCTED OF DIE CAST AND EXTRUDED ALUMINUM WITH INTEGRAL WIRING COMPARTMENT FOR THROUGH WIRING, DIE CAST ALUMINUM FACE PLATE, CLEAR TEMPERED GLASS WITH TRANSLUCENT WHITE CERAMIC COATING, STAINLESS STEEL CAPTIVE SCREWS AND SILVER FINISH	PONTE UNDER BRIDGE WALL MOUNT

FLOOD LIGHT SCHEDULE					
BRIDGE	POLE	MANUFACTURER/ MODEL	QUANTITY	DESIGNATIONS	
PONTE	SA1	BSA 5700-XXX-150MH240-ELYMX-CD	3	3,3,3	
PONTE	SA4	BSA 5700-XXX-150MH240-ELYMX-CD	3	3,3,3	
PONTE	SA2	BSA 5700-XXX-150MH240-ELYMX-CD	3	3,2,3	
PONTE	SA4	BSA 5700-XXX-150MH240-ELYMX-CD	3	1,2,3	
BELLA	SA1	BSA 5700-HFM-150MH-240-EL	3	3,3	
BELLA	SA3	BSA 5700-HFM-150MH-240-EL	3	3,3	



THE SEAL APPEARING ON THIS DOCUMENT WAS AUTHORIZED BY DIANNE M. POPKEN, P.E. #41979 ON 04-29-2010. ALTERATION OF A SEALED DOCUMENT WITHOUT PROPER NOTIFICATION TO THE RESPONSIBLE ENGINEER IS AN OFFENSE UNDER THE TEXAS ENGINEERING PRACTICE ACT. THE RECORD COPY OF THIS DRAWING IS ON FILE AT THE OFFICES OF HALFF ASSOCIATES, 1201 NORTH BOWSER ROAD, RICHARDSON, TEXAS 75081-1096, FROM 4-28-10.

4-28-10

NO.	REVISION	BY	DATE

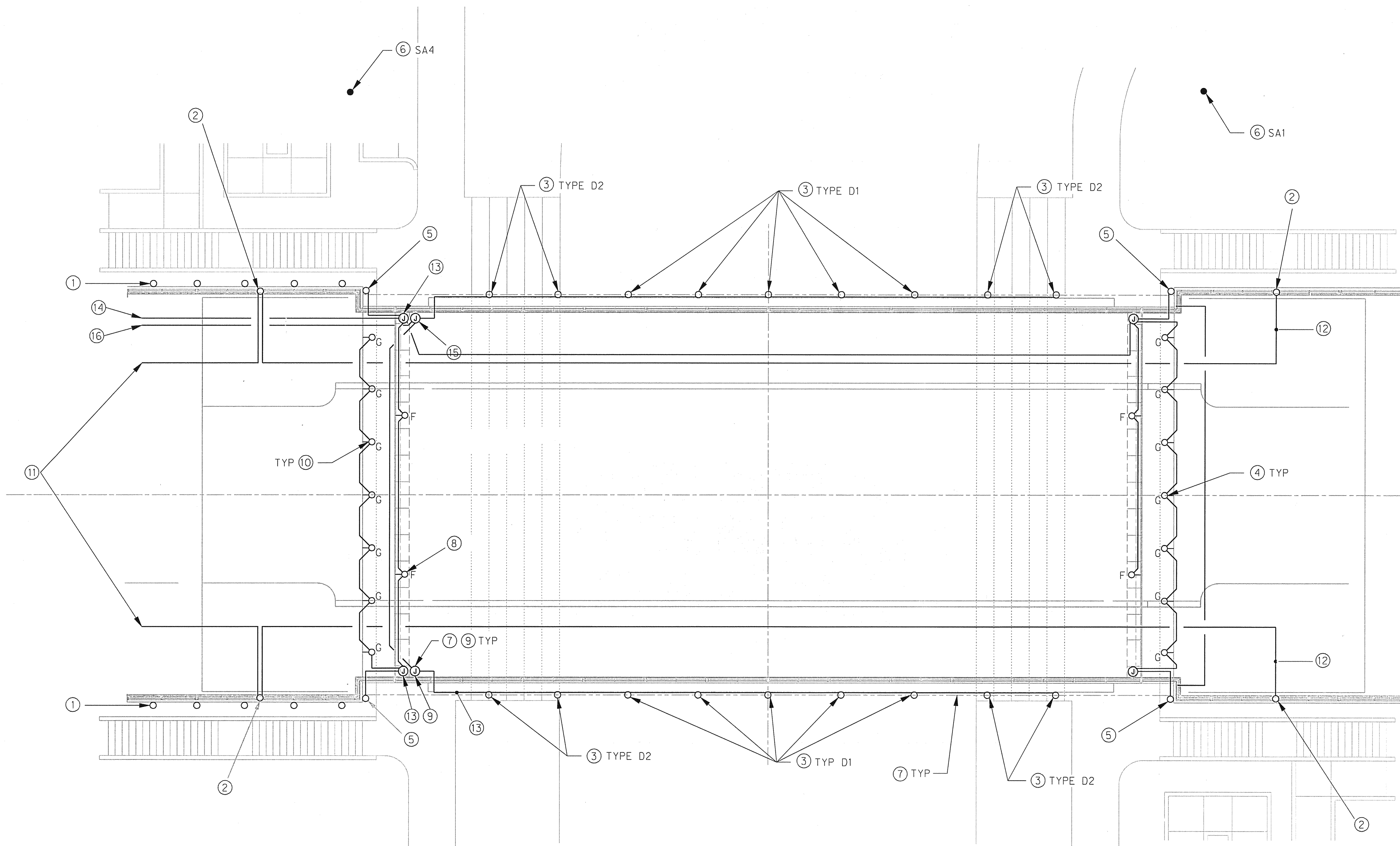
**ADDISON TOWN OF ADDISON  
DALLAS COUNTY, TEXAS**

**VITRUVIAN PARK BRIDGES**

**LIGHT FIXTURE SCHEDULE**

**HALFF** 1201 NORTH BOWSER ROAD, RICHARDSON, TEXAS 75081-2275  
TEL (214) 346-6200 FAX (214) 739-0095

PROJECT	DESIGN	DRAWN	DATE	FILE	SHEET
27379		AHH	APRIL 2010	-	E0-01



GENERAL NOTES

- A. THE LIGHTING DESIGN FOR THE NEW SOUTH PEDESTRIAN BRIDGE WILL REQUIRE SOME CHANGES TO THE PARK LIGHTING & ELECTRICAL DESIGN REPRESENTED ON SHEET C803 OF THE PARK AND STREETSCAPE IMPROVEMENTS FOR THE VITRUVIAN PARK PUBLIC INFRASTRUCTURE-PHASE 1C AND TO SHEET 52 OF THE STREET LIGHT AND CONDUIT PLAN OF THE PAVING, DRAINAGE, & UTILITY IMPROVEMENTS, VITRUVIAN PARK PUBLIC INFRASTRUCTURE-PHASE 1B. THE NECESSARY CHANGES IN THE 1B AND 1C DESIGN WILL BE PERFORMED BY THE CONTRACTOR FOR PHASES 1B AND 1C. THE CHANGES ARE REPRESENTED ON THIS DESIGN PLAN SO THE CONTRACTOR WILL HAVE ACCESS TO THE RELEVANT DATA FOR CONSTRUCTION COORDINATION.
- B. THE STAIRS, RAMPS, AND ROADWAYS BEYOND THE BRIDGE ARE CONSTRUCTED UNDER ANOTHER PHASE OF WORK AND ARE NOT IN THIS CONTRACT.
- C. PROVIDE ALL FIXTURES, RACEWAYS, CONDUCTORS, AND ACCESSORIES SCHEDULED AND SPECIFIED FOR THE BRIDGE.
- D. COORDINATE INSTALLATION WITH THE BRIDGE CONSTRUCTION.
- E. POWER TO THE PONTE BRIDGE IS IN BOTH THE PHASE 1B AND 1C CONTRACTS. REFERENCE THE LEGEND NOTES FOR THE SPECIFIC LIMITS OF CONSTRUCTION UNDER THIS CONTRACT.
- F. COORDINATE THE CONNECTION OF THE BRIDGE CIRCUITS TO THE PHASE 1B AND 1C CIRCUITS WITH THE PHASE 1B AND 1C CONTRACTORS.
- G. ALL CONDUITS SHALL BE CONCEALED IN THE BRIDGE CONSTRUCTION UNLESS OTHERWISE NOTED OR DETAILED. CONDUIT IN CONCRETE SHALL BE SCHEDULE 40 PVC. ALL EXPOSED CONDUIT SHALL BE RIGID GALVANIZED STEEL SECTION.
- H. SUBMIT SHOP DRAWINGS FOR MOUNTING OF ALL FIXTURES AND THE ROUTE OF CONDUITS IN AND ON THE BRIDGE CONSTRUCTION.

LEGEND NOTES

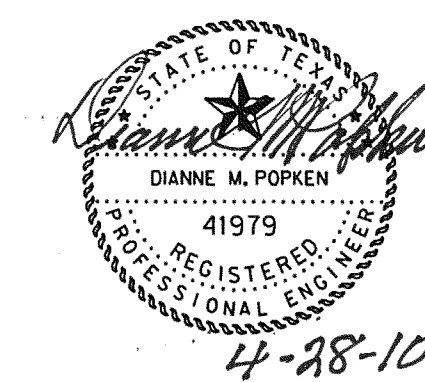
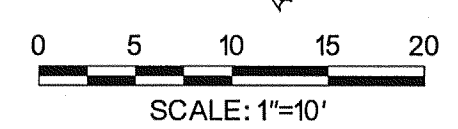
- 1. TEN STEP LIGHT FIXTURES TYPE SC, SHOWN ON SHEET C802 OF THE PHASE 1C DRAWINGS WILL BE DELETED FROM THE PHASE 1C CONTRACT.
- 2. PROVIDE FIXTURES TYPE A. REFERENCE DETAIL 01/E1.03 AND STRUCTURAL SHEETS FOR MOUNTING POLE ON WING WALL. ROUTE CONDUIT DOWN IN WINGWALL THROUGH ABUTMENT, AND UNDER SPACE BETWEEN BRIDGE BEAMS. REFERENCE STRUCTURAL.
- 3. PROVIDE FLOOD LIGHTS TYPE D. REFERENCE DETAIL 02/E1.03 FOR MOUNTING FIXTURE ON EDGE OF BRIDGE.
- 4. NOT USED.
- 5. PROVIDE FIXTURES TYPE E, LINEAR FIXTURE MOUNTED VERTICALLY TO LIGHT OUTSIDE OF ARCH BELOW BRIDGE DECK. REFERENCE LANDSCAPE DETAIL OF FIXTURE RECESSED IN STONE ON BRIDGE ABUTMENT. ROUTE CONDUIT IN MORTAR BEHIND STONE AND UP TO J-BOX ON BEAM SHELF.
- 6. FIXTURES TYPE SA1, SA2, AND SA4 ARE PROVIDED UNDER THE PARK IMPROVEMENTS CONTRACT-PHASE 1C. TWO FLOOD LIGHTS WILL BE ADDED TO EACH POLE AND FOCUSED ON THE UPPER PART OF THE OUTSIDE OF THE ARCH. REFERENCE PARK FIXTURE SCHEDULE, SHEET E0.01.
- 7. ALL CONDUIT ON THE BRIDGE SHALL BE RIGID STEEL GALVANIZED. JUNCTION BOXES SHALL BE MALLEABLE IRON WITH HUBS FOR THREADED RIGID STEEL CONDUIT WITH WEATHERPROOF CAST COVER AND NEOPRENE GASKET.
- 8. PROVIDE FIXTURES TYPE F MOUNTED ON ROADWAY BEAM SHELF. REF. STRUCTURAL DETAIL ON SHEET S1-07. ROUTE CIRCUIT ALONG THE BACK OF BRIDGE BEAM SHELF TO J-BOX.
- 9. LOCATE JUNCTION ON BRIDGE BEAM SHELF BETWEEN BEAMS. FOR BOTH 120V AND 240V CIRCUITS.
- 10. PROVIDE FIXTURES TYPE G RECESS WALL MOUNTED AT WALKWAY UNDER BRIDGE. REFERENCE SHEET E1.02 AND LANDSCAPE ELEVATIONS OF WALL. ROUTE CONDUIT CONCEALED IN ABUTMENT TO 120V J-BOX.

LEGEND NOTES

- 11. CONNECT NEW BRIDGE MOUNTED FIXTURES TYPE A TO THE EXISTING ROADWAY LIGHTING CIRCUITS PROVIDED UNDER PHASE 1C. FOUR STEP LIGHT FIXTURES SL TYPE 2 SHOWN ON SHEET 52 OF PHASE 1C CONTRACT AND LOCATED ON THE BRIDGE SHALL BE DELETED.
- 12. ROUTE 3\*2, 1\*6, 2\*6 FROM FIXTURES TYPE A, DOWN IN WING WALL TO A POINT BELOW APPROACH SLAB, THROUGH THE EAST BRIDGE ABUTMENT, EXPOSED BETWEEN BRIDGE BEAMS, THROUGH BRIDGE ABUTMENT ON WEST SIDE OF BRIDGE AND TO FIXTURE TYPE A.
- 13. ROUTE 120V CIRCUIT TO FIXTURES TYPE F, G, AND THE TRANSFORMERS FOR FIXTURES TYPE E. CIRCUIT SHALL BE 2\*12, #12G, 3/4"C.
- 14. CONNECT 120V CIRCUIT (2 AMPS) TO A NEW CIRCUIT FROM PEDESTAL VPWP SHOWN ON PARK DESIGN PHASE 1C, SHEET C802.
- 15. ROUTE 240V CIRCUIT TO FIXTURES TYPE D AND THEN TO JUNCTION BOX ON LEDGE BETWEEN BEAMS. CIRCUIT SHALL BE 2\*12, #12G, 3/4"C.
- 16. ROUTE 240V CIRCUIT ALONG THE UNDER SIDE OF SPACE BETWEEN BRIDGE BEAMS AND THROUGH ABUTMENT AND UNDER APPROACH SLAB. CONNECT TO A NEW CIRCUIT FROM 2-POLE BREAKER IN PEDESTAL VPWP SHOWN ON PARK DESIGN PHASE 1C, SHEET C802.

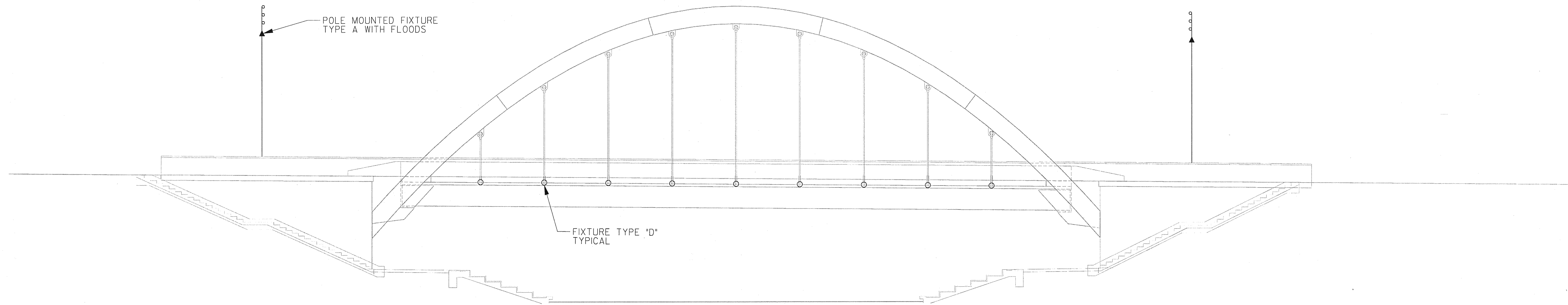
01 ELECTRICAL SITE LAYOUT PLAN

SCALE: 1"=10'-0"



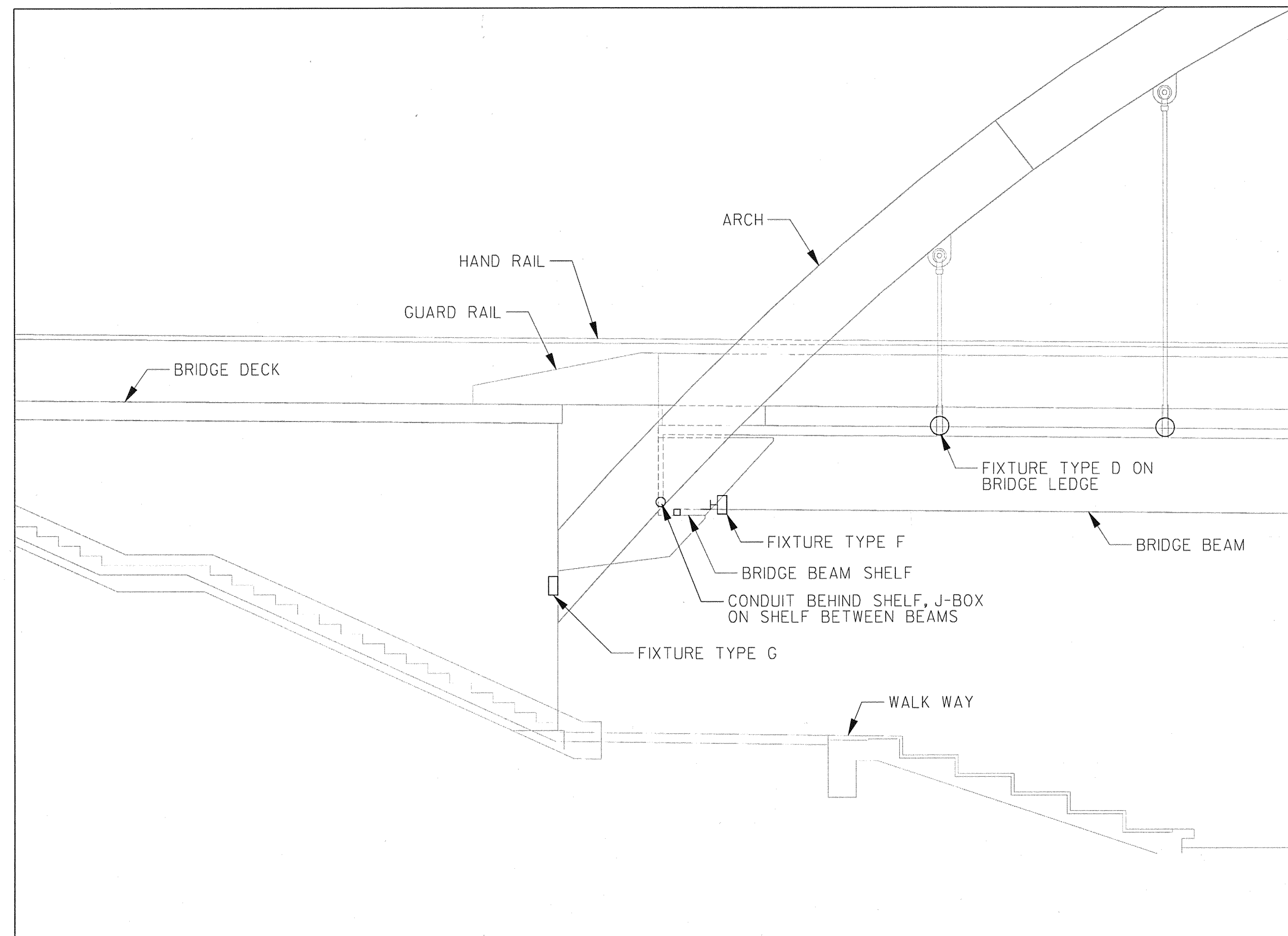
THE SEAL APPEARING ON THIS DOCUMENT WAS AUTHORIZED BY DIANNE M. POPKEN, P.E., EXISTING ON 04-29-2010. ALTERATION OF A SEALED DOCUMENT WITHOUT PROPER NOTIFICATION TO THE RESPONSIBLE ENGINEER IS AN OFFENSE UNDER THE TEXAS ENGINEERING PRACTICE ACT. THE RECORD COPY OF THIS DRAWING IS ON FILE AT THE OFFICES OF HALFF ASSOCIATES, 1201 NORTH BOWSER ROAD, RICHARDSON, TEXAS, 75081. TYPE FIRM "P-312".

NO.	REVISION	BY	DATE
<b>TOWN OF ADDISON</b> DALLAS COUNTY, TEXAS			
<b>VITRUVIAN PARK BRIDGES</b> PONTE AVENUE			
<b>ELECTRICAL PLAN</b>			
1201 NORTH BOWSER ROAD, RICHARDSON, TEXAS 75081-2275 TEL (214) 346-6200 FAX (214) 739-0095			
PROJECT	DESIGN	DRAWN	DATE
27379	DMP	AHH	APRIL 2010
FILE	SHEET		
-	E1-01		



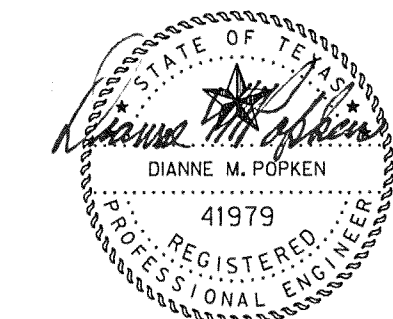
01 ELEVATION

SCALE: 1" = 10'-0"





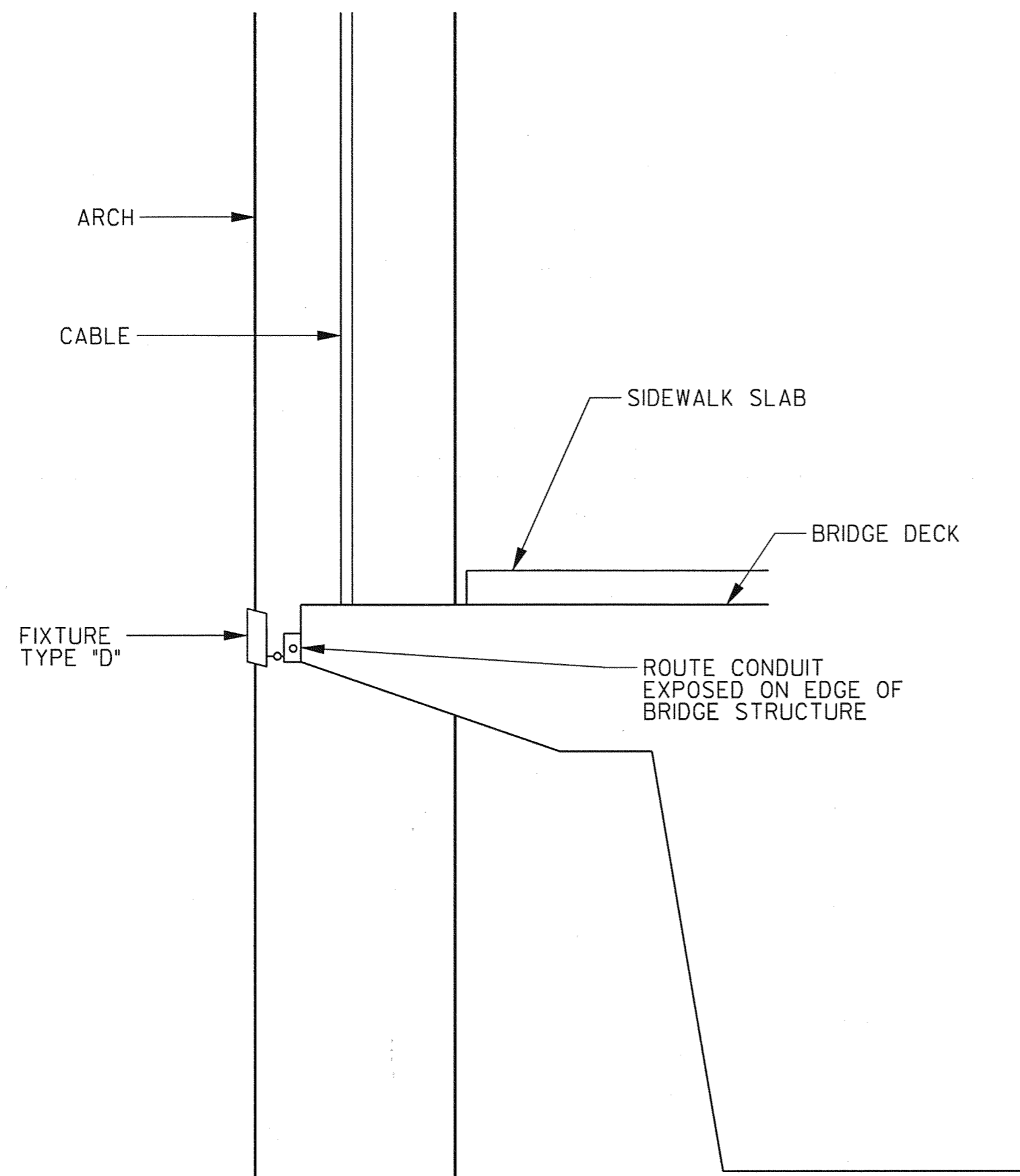
ENLARGED ELEVATION

SCALE: 1" = 5'-0"

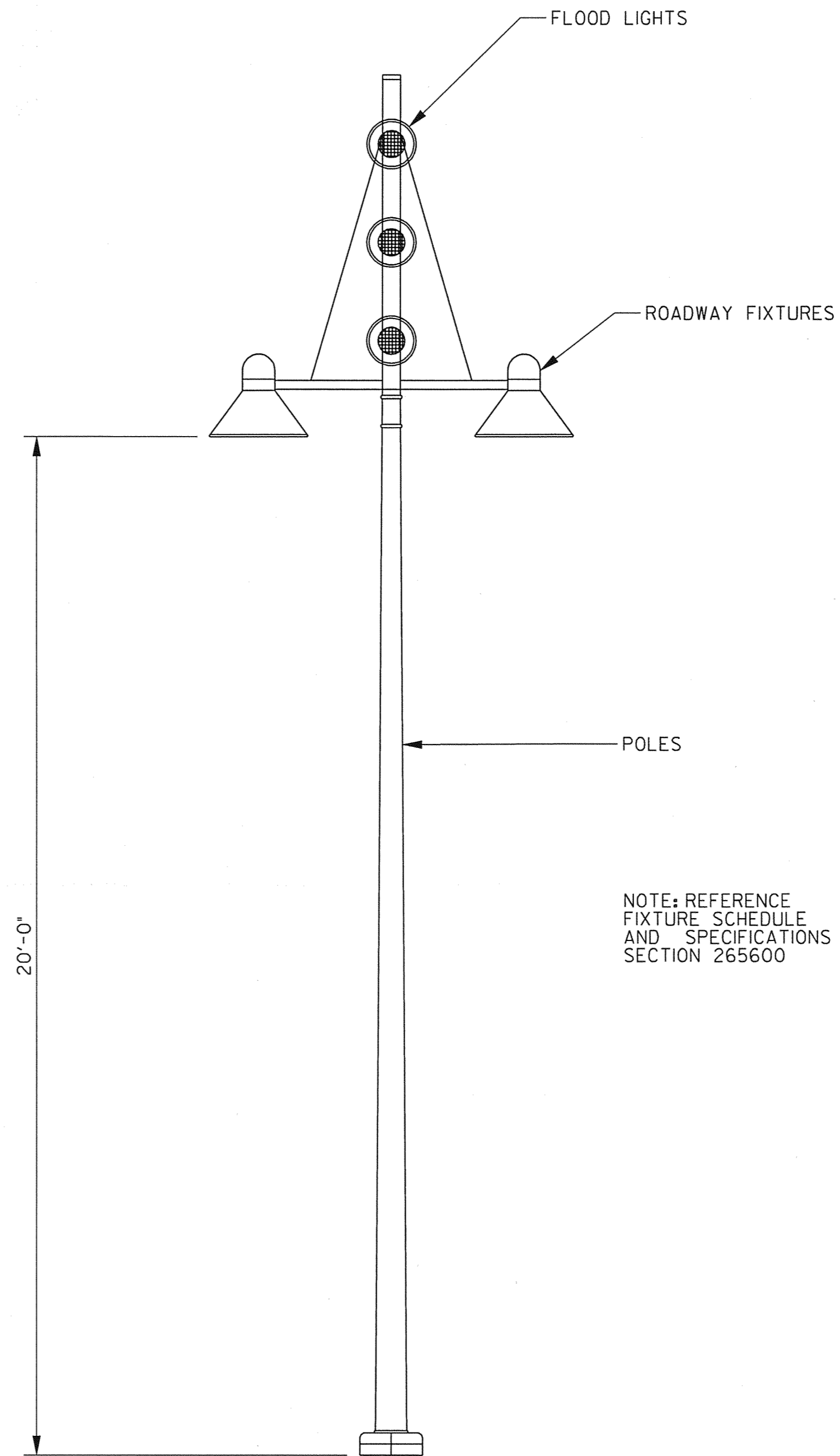


THE SEAL APPEARING ON THIS DOCUMENT WAS AUTHORIZED BY DIANNE M. POPKEN, P.E. #41979 ON 04-29-2010. ALTERATION OF A SEALED DOCUMENT WITHOUT PROPER NOTIFICATION TO THE RESPONSIBLE ENGINEER IS AN OFFENSE UNDER THE TEXAS ENGINEERING PRACTICE ACT. THE RECORD COPY OF THIS DRAWING IS ON FILE AT THE OFFICES OF HALFF ASSOCIATES, 1201 NORTH BOWSER ROAD, RICHARDSON, TEXAS. TSOE#1 TYPE, FIRM #F-312.

NO.	REVISION	BY	DATE		
 <b>TOWN OF ADDISON</b> DALLAS COUNTY, TEXAS					
<b>VITRUVIAN PARK BRIDGES</b> PONTE AVENUE					
<b>ELECTRICAL ELEVATION</b>					
 <b>HALFF</b>		1201 NORTH BOWSER ROAD, RICHARDSON, TEXAS 75081-2275 TEL (214) 346-6200 FAX (214) 739-0085			
PROJECT	DESIGN	DRAWN	DATE	FILE	SHEET
27379	DMP	AHH	APRIL 2010	-	E1-02



02 MOUNTING TYPE D  
NOT TO SCALE



NOTE: REFERENCE  
FIXTURE SCHEDULE  
AND SPECIFICATIONS  
SECTION 265600

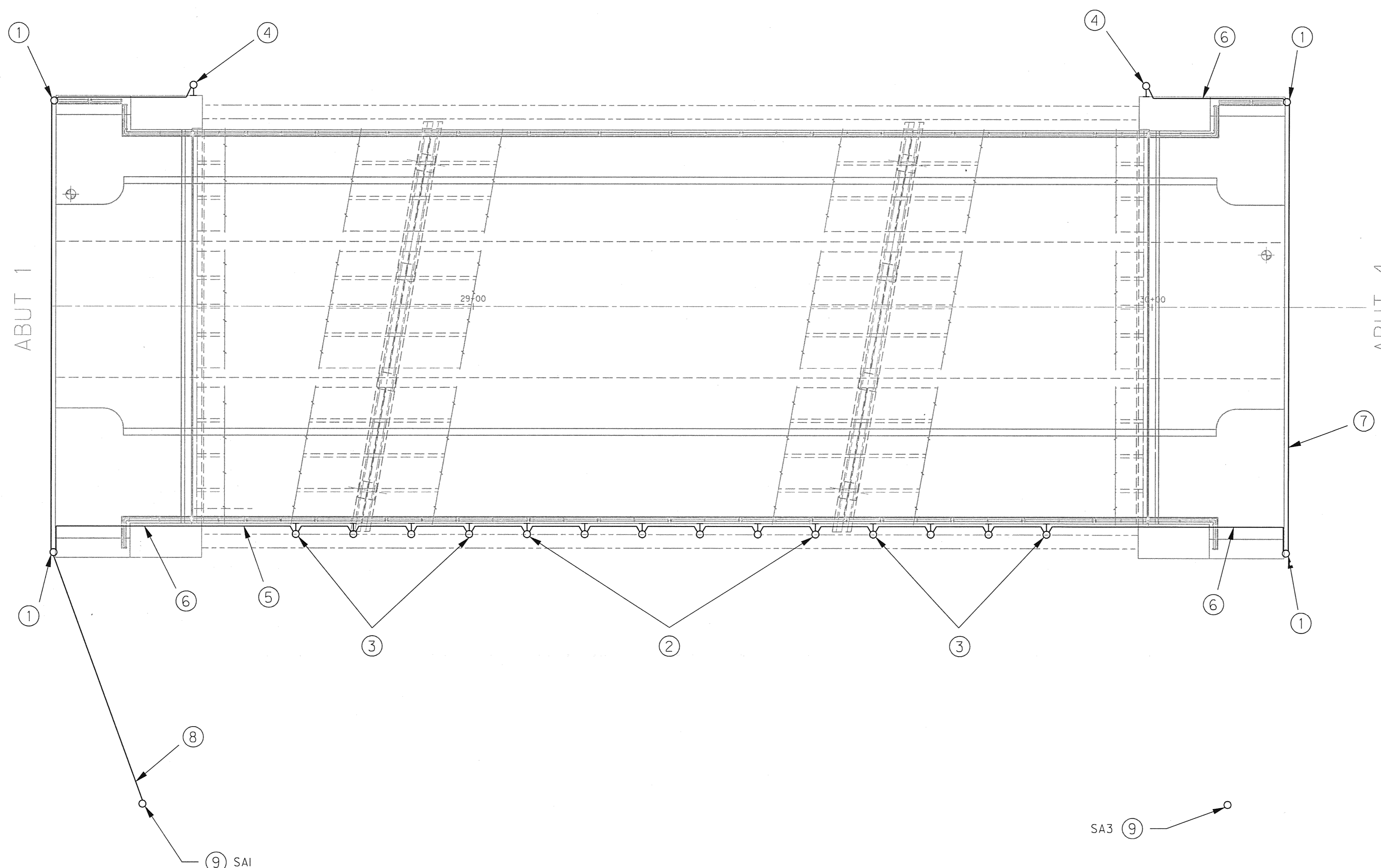
01 TYPE A  
NOT TO SCALE



THE SEAL APPEARING ON THIS DOCUMENT WAS AUTHORIZED BY DIANNE M. POPKEN, P.E. #41979 ON 04-29-2010. ALTERATION OF A SEALED DOCUMENT WITHOUT PROPER NOTIFICATION TO THE RESPONSIBLE ENGINEER IS AN OFFENSE UNDER THE TEXAS ENGINEERING PRACTICE ACT. THE RECORD COPY OF THIS DRAWING IS ON FILE AT THE OFFICES OF HALFF ASSOCIATES, 1201 NORTH BOWSER ROAD, RICHARDSON, TEXAS 75081. TBPB, FPM #F-312.

4-28-10

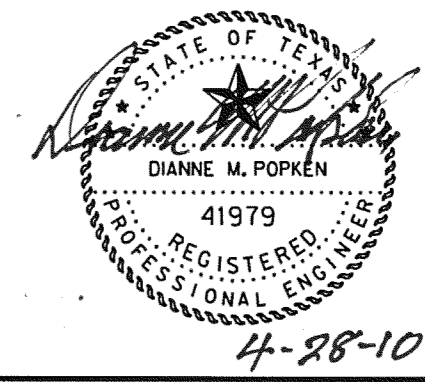
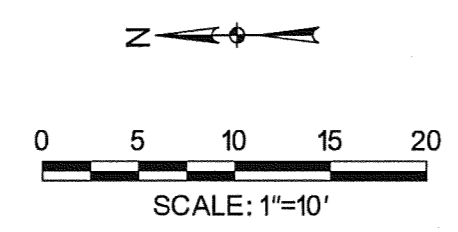
NO.	REVISION	BY	DATE		
<b>TOWN OF ADDISON</b> DALLAS COUNTY, TEXAS					
<b>VITRUVIAN PARK BRIDGES</b> PONTE AVENUE					
<b>ELECTRICAL DETAILS</b>					
<b>HALFF</b>		1201 NORTH BOWSER ROAD, RICHARDSON, TEXAS 75081-2275 TEL (214) 349-6200 FAX (214) 739-0085			
PROJECT	DESIGN	DRAWN	DATE	FILE	SHEET
27379		AHH	APRIL 2010	-	E1-03



- GENERAL NOTES**
- A. THE LIGHTING DESIGN FOR THE BELLA BRIDGE WILL REQUIRE SOME CHANGES TO THE PARK LIGHTING & ELECTRICAL DESIGN REPRESENTED ON SHEET C801 OF THE PARK AND STREETScape IMPROVEMENTS FOR THE VITRUVIAN PARK PUBLIC INFRASTRUCTURE-PHASE 1C. THE NECESSARY CHANGES IN THE 1C DESIGN WILL BE PERFORMED BY THE CONTRACTOR FOR PHASE 1C. THE CHANGES ARE REPRESENTED ON THIS DESIGN PLAN SO THE CONTRACTOR WILL HAVE ACCESS TO THE RELEVANT DATA FOR CONSTRUCTION COORDINATION.
  - B. PROVIDE ALL FIXTURES, RACEWAYS, CONDUCTORS, AND ACCESSORIES SCHEDULED AND SPECIFIED FOR THE BRIDGE.
  - C. COORDINATE INSTALLATION WITH THE BRIDGE CONSTRUCTION.
  - D. POWER TO SERVE LIGHTING ON THE BELLA BRIDGE IS IN THE PHASE 1C CONTRACT. REFERENCE THE LEGEND NOTES FOR THE SPECIFIC LIMITS OF CONSTRUCTION UNDER THIS CONTRACT.
  - E. COORDINATE THE CONNECTION OF THE BRIDGE CIRCUITS TO THE PHASE 1C CIRCUITS WITH THE PHASE 1C CONTRACTORS.
  - F. ALL CONDUITS SHALL BE CONCEALED IN THE BRIDGE CONSTRUCTION UNLESS OTHERWISE NOTED OR DETAILED. CONDUIT IN CONCRETE SHALL BE SCHEDULE 40 PVC. ALL EXPOSED CONDUIT SHALL BE RIGID GALVANIZED STEEL.
  - G. FIXTURES TYPE SA1 AND SA3 ARE PROVIDED UNDER THE PARK IMPROVEMENTS CONTRACTS-PHASE 1C. TWO FLOOD LIGHTS (TYPE ABS 3) WILL BE ADDED TO EACH POLE AND FOCUSED ON THE UPPER PART OF THE OUTSIDE OF THE ARCH. PROVIDE EQUIPMENT AND LABOR FOR THE NIGHT-TIME SETTING OF THE TWO FIXTURES MOUNTED ON EACH POLE SA1 AND SA3.
  - H. JUNCTION BOXES MOUNTED ON THE BRIDGE SHALL BE MALLEABLE IRON WITH HUBS FOR THREADED RIGID STEEL CONDUIT WITH WEATHERPROOF CAST COVER AND NEOPRENE GASKET.
  - I. SUBMIT SHOP DRAWINGS FOR MOUNTING OF ALL FIXTURES AND THE ROUTE OF CONDUITS IN AND ON THE BRIDGE CONSTRUCTION.

- LEGEND NOTES**
1. MOUNT FIXTURES TYPE B ON WING WALL. REFERENCE STRUCTURAL DETAIL FOR ANCHOR BOLT REQUIREMENT.
  2. MOUNT FIXTURE TYPE D3 (TYPICAL OF 6) ON OUTSIDE OF BRIDGE DECK. REFERENCE DETAIL 02/E2.03.
  3. MOUNT FIXTURES TYPE D4 (TYPICAL OF 8) ON THE OUTSIDE OF BRIDGE DECK. REFERENCE DETAIL 02/E2.03.
  4. MOUNT FIXTURE TYPE D5 ON BRIDGE ABUTMENT. REFERENCE DETAIL 02/E2.03.
  5. SURFACE MOUNT CONDUIT TO FIXTURES TYPE D ON EDGE OF BRIDGE BEAM. REFERENCE DETAIL 02/E2.03.
  6. ROUTE CONDUIT CONCEALED IN WING WALL.
  7. ROUTE CONDUIT BELOW APPROACH SLAB.
  8. ROUTE CONDUIT UNDERGROUND, WITH 24" COVER TO PARK POLE FIXTURE TYPE SA1 AND CONNECT BRIDGE LIGHT CIRCUIT TO LIGHTING CIRCUIT FROM NORTH ELECTRICAL SERVICE PEDESTAL. THE CIRCUIT WILL HAVE BEEN CHANGED FROM 2-\*8, 1-\*12 IN 1" SCH 40 PVC TO 2-\*6, 1-\*10 IN 1" SCH 40 PVC. CONFIRM THE PHASE 1C PARK CONSTRUCTION BEFORE MAKING FINAL CONNECTIONS.
  9. APPROXIMATE LOCATION OF PARK FIXTURES SA1 AND SA3 ARE SHOWN. VERIFY ACTUAL LOCATION AT SITE.

**01 ELECTRICAL SITE LAYOUT**  
SCALE: 1"=10'-0"  
PLAN



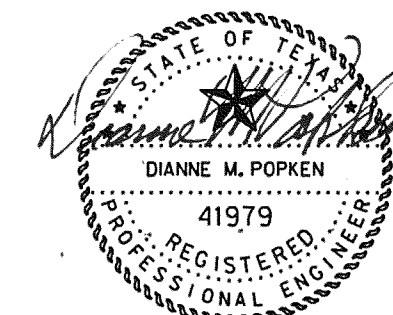
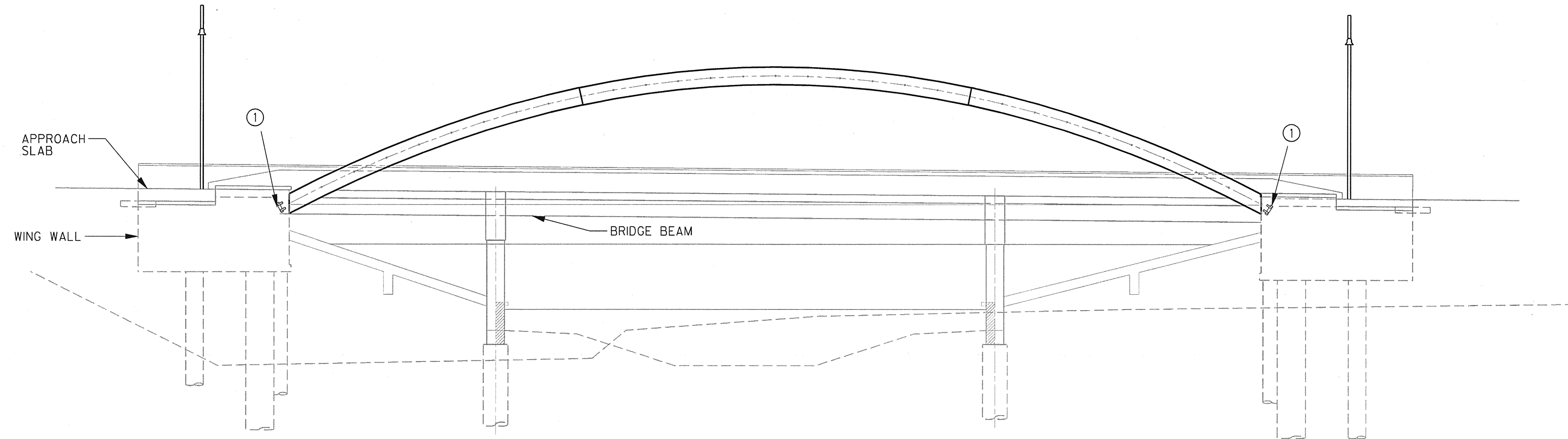
THE SEAL APPEARING ON THIS DOCUMENT WAS AUTHORIZED BY DIANNE M. POPKEN, P.E., #41979 ON 04-29-2010. ALTERATION OF A SEALED DOCUMENT WITHOUT PROPER NOTIFICATION TO THE RESPONSIBLE ENGINEER IS AN OFFENSE UNDER THE TEXAS ENGINEERING PRACTICE ACT. THE RECORD COPY OF THIS DRAWING IS ON FILE AT THE OFFICES OF HALFF ASSOCIATES, 1201 NORTH BOWSER ROAD, RICHARDSON, TEXAS, 75081. TBP, FIRM #312.

4-28-10

NO.	REVISION	BY	DATE		
<b>TOWN OF ADDISON</b> DALLAS COUNTY, TEXAS					
<b>VITRUVIAN PARK BRIDGES</b> BELLA LANE					
<b>ELECTRICAL PLAN</b>					
<b>HALFF</b> 1201 NORTH BOWSER ROAD, RICHARDSON, TEXAS 75081-2275 TEL (214) 346-6200 FAX (214) 739-0095					
PROJECT	DESIGN	DRAWN	DATE	FILE	SHEET
27379	DMP	AHH	APRIL 2010	-	E2-01

GENERAL NOTES  
 A. STUDY STRUCTURAL SHEETS FOR COORDINATION OF  
 FIXTURE LOCATIONS AND ROUTE OF CONDUIT.

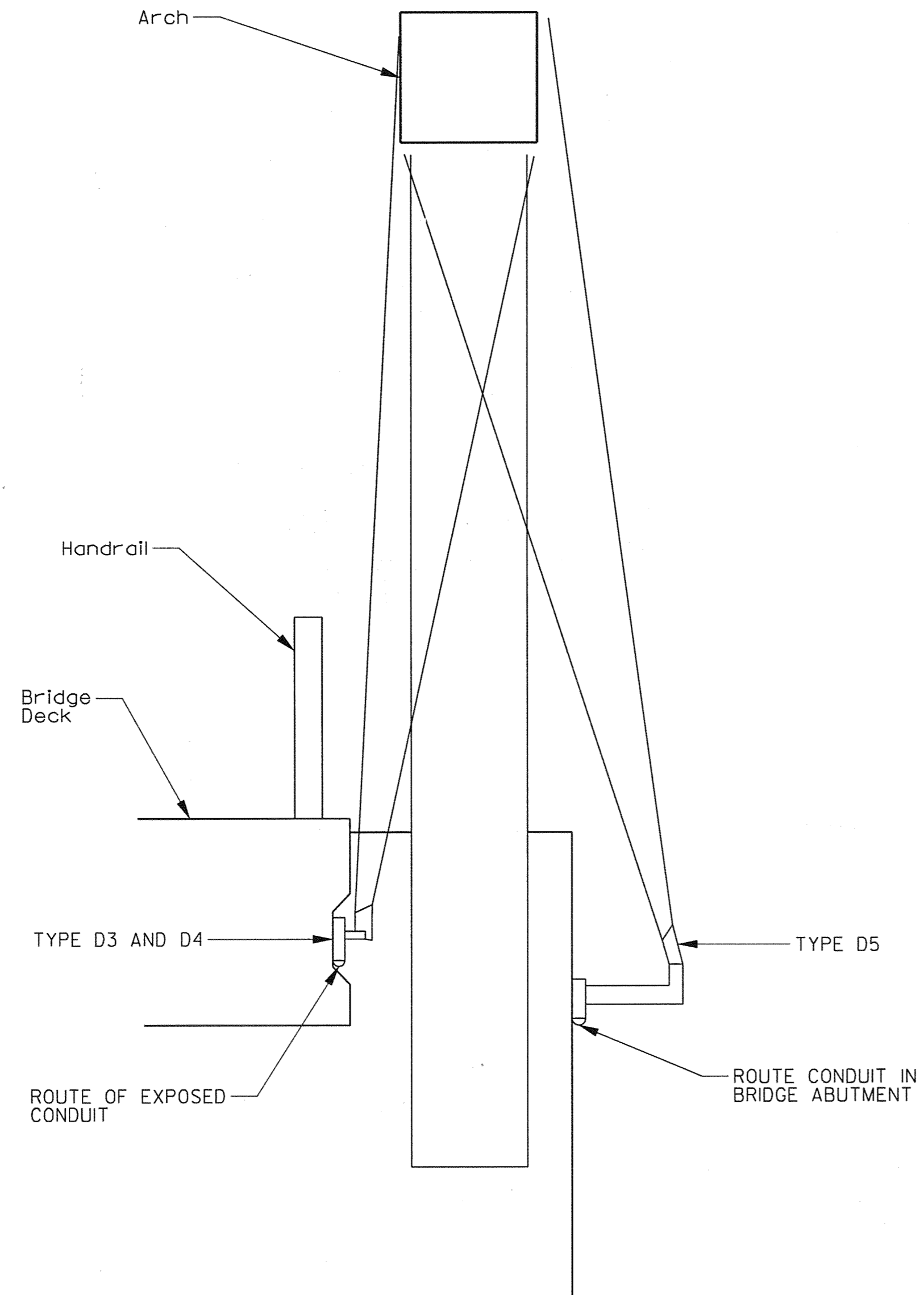
LEGEND NOTES  
 1. LOCATE FIXTURES D5 ON THE BRIDGE ABUTMENT  
 AND IN LINE WITH THE CENTERLINE OF THE ARCH.



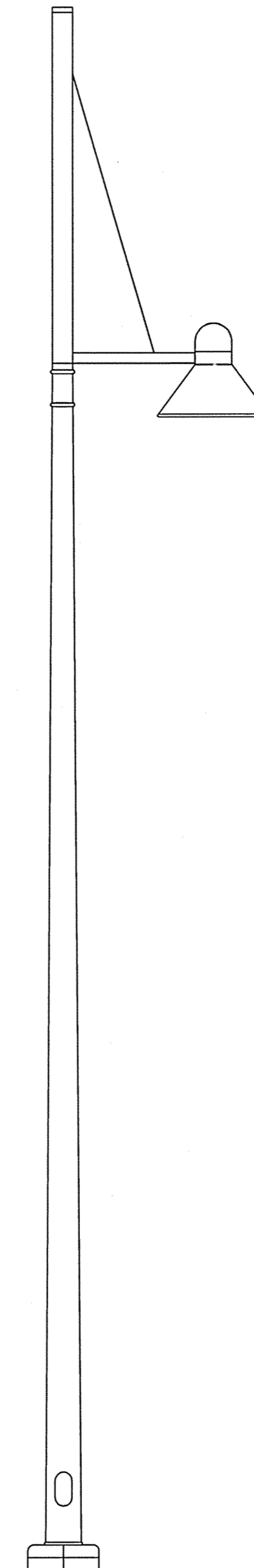
THE SEAL APPEARING ON THIS DOCUMENT WAS  
 AUTHORIZED BY DIANNE M. POPKEN, P.E., #1979  
 ON 04-29-2010. ALTERATION OF A SEALED DOCUMENT  
 WITHOUT PRIOR NOTIFICATION TO THE RESPONSIBLE  
 ENGINEER IS AN OFFENSE UNDER THE TEXAS  
 ENGINEERING PRACTICE ACT. THE RECORD COPY OF  
 THIS DRAWING IS ON FILE AT THE OFFICES OF HALFF  
 ASSOCIATES, 1201 NORTH BOWSER ROAD, RICHARDSON,  
 TEXAS, 75081. TBPB FORM #E-310.

4-28-10

NO.	REVISION	BY	DATE		
<b>TOWN OF ADDISON</b> DALLAS COUNTY, TEXAS					
<b>VITRUVIAN PARK BRIDGES</b> BELLA LANE					
<b>ELECTRICAL ELEVATION</b>					
<b>HALFF</b> 1201 NORTH BOWSER ROAD, RICHARDSON, TEXAS 75081-2275 TEL (214) 346-6200 FAX (214) 739-0095					
PROJECT	DESIGN	DRAWN	DATE	FILE	SHEET
27379	DMP	AHH	APRIL 2010	-	E2-02



02 TYPES D  
NOT TO SCALE

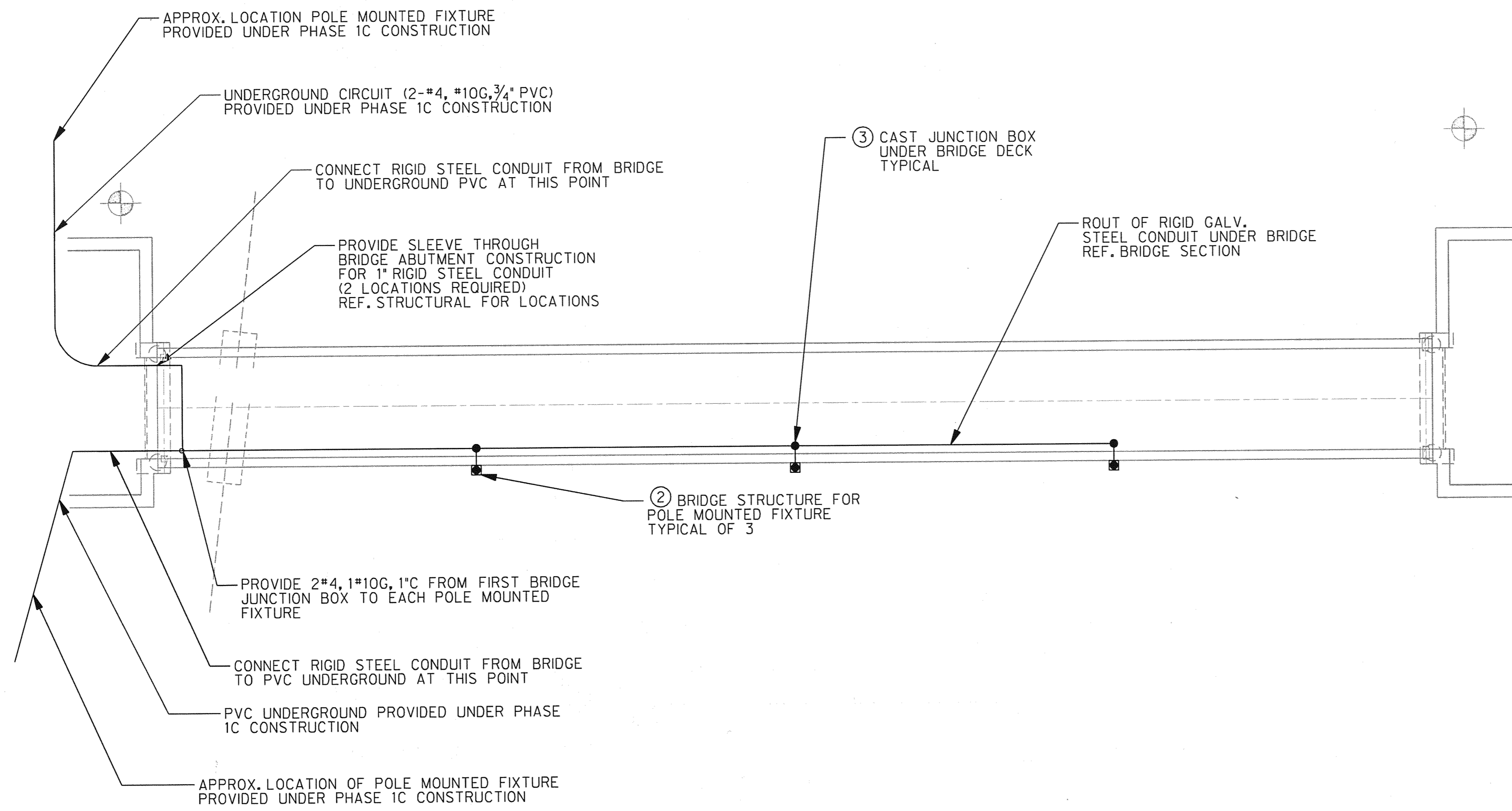


01 TYPES B  
NOT TO SCALE

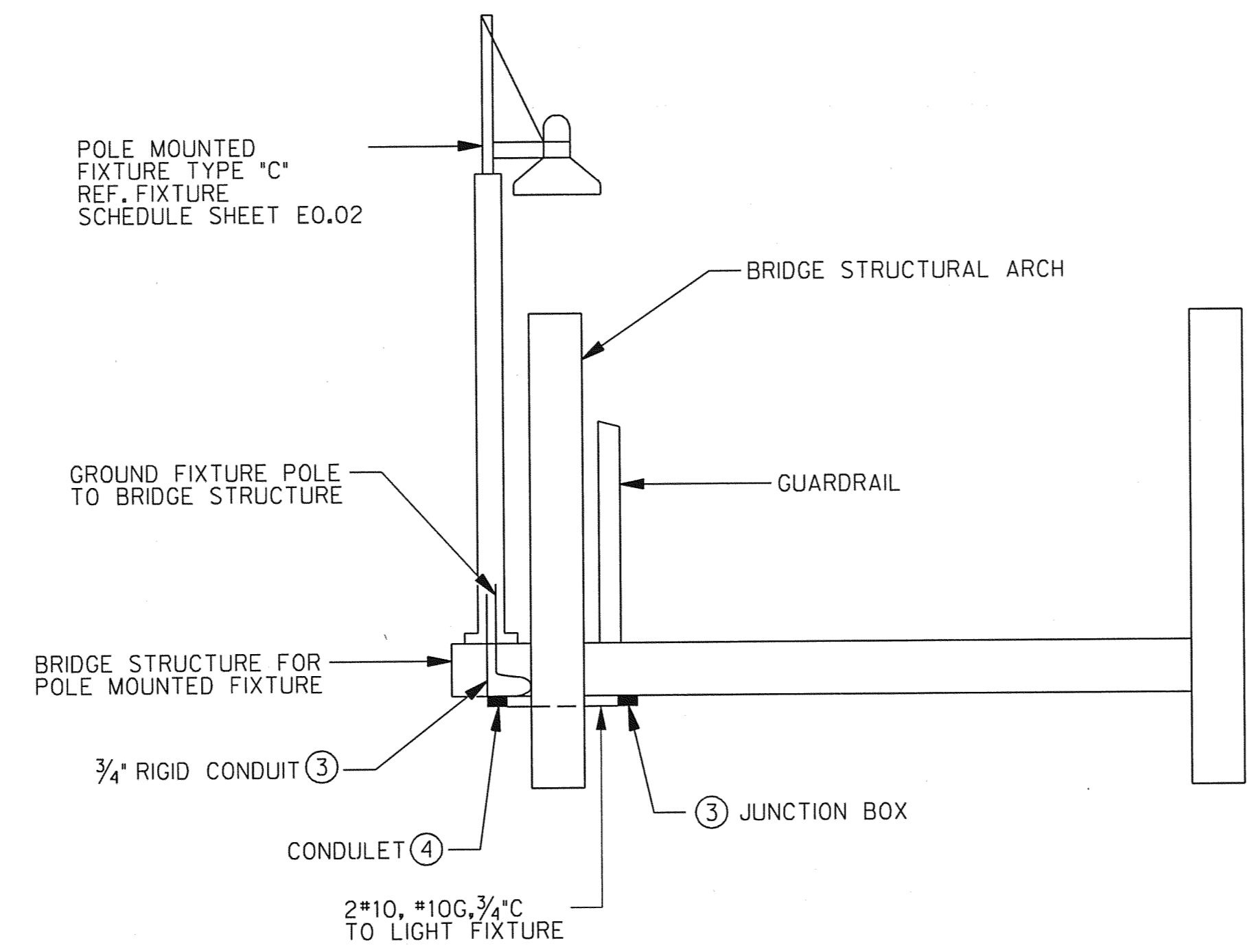


THE SEAL APPEARING ON THIS DOCUMENT WAS AUTHORIZED BY DIANNE M. POPKEN, P.E. #41979 ON 04-29-2010. ALTERATION OF A SEALED DOCUMENT WITHOUT PROPER NOTIFICATION TO THE RESPONSIBLE ENGINEER IS AN OFFENSE UNDER THE TEXAS ENGINEERING PRACTICE ACT. THE RECORD COPY OF THIS DRAWING IS ON FILE AT THE OFFICES OF HALFF ASSOCIATES, 1201 NORTH BOWSER ROAD, RICHARDSON, TEXAS 75081. TBP# FPM 44-312.

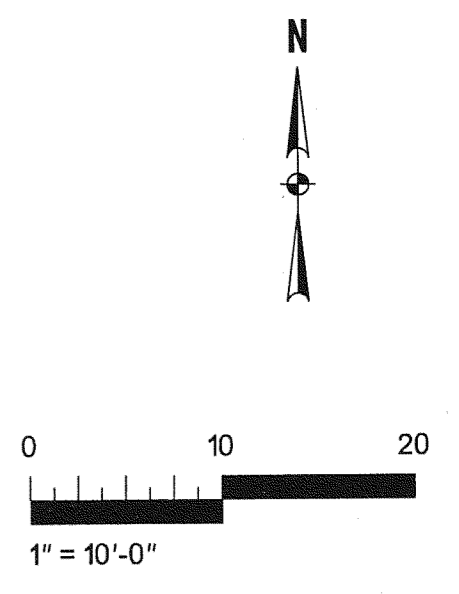
NO.	REVISION	BY	DATE		
<b>TOWN OF ADDISON</b> DALLAS COUNTY, TEXAS					
<b>VITRUVIAN PARK BRIDGES</b> BELLA LANE					
<b>ELECTRICAL</b> <b>DETAILS</b>					
<b>HALFF</b> 1201 NORTH BOWSER ROAD, RICHARDSON, TEXAS 75081-2275 TEL (214) 346-6200 FAX (214) 739-0095					
PROJECT	DESIGN	DRAWN	DATE	FILE	SHEET
27379		AHH	APRIL 2010	-	E2-03



**01 PLAN**  
SCALE: 1" = 10'-0"



**02 BRIDGE SECTION**  
NOT TO SCALE



**GENERAL NOTES**

- A. THE LIGHTING DESIGN FOR THE NEW SOUTH PEDESTRIAN BRIDGE WILL REQUIRE SOME CHANGES TO THE PARK LIGHTING & ELECTRICAL DESIGN REPRESENTED ON SHEET C803 OF THE PARK AND STREETScape IMPROVEMENTS FOR THE VITRUVIAN PARK PUBLIC INFRASTRUCTURE - PHASE 1C. THE NECESSARY CHANGES IN THE PHASE 1C DESIGN WILL BE PERFORMED BY THE CONTRACTOR FOR THE PHSE 1C CONSTRUCTION. THE CHANGES ARE REPRESENTED ON THIS DESIGN PLAN SO THE CONTRACTOR WILL HAVE EASY ACCESS TO THE RELEVANT DATA WHILE BIDDING AND DURING CONSTRUCTION COORDINATION.
- B. PROVIDE THE POLE MOUNTED FIXTURES LOCATED ON THE BRIDGE. COORDINATE THE INSTALLATION OF THE FIXTURES WITH THE BRIDGE MANUFACTURER.
- C. PROVIDE ALL CONDUIT AND CONDUCTORS ON THE BRIDGE FOR THE FIXTURES MOUNTED ON THE BRIDGE.
- D. POWER TO THE SOUTH PEDESTRIAN BRIDGE IS PROVIDED UNDER THE PHASE 1C CONTRACT AND IS NOT A PART OF THIS CONTRACT.
- E. COORDINATE THE CONNECTION OF THE BRIDGE CIRCUITS TO THE PHASE 1C CIRCUITS WITH THE PHASE 1C CONTRACTOR.
- F. REFERENCE THE LEGEND NOTES FOR THE SPECIFIC LIMITS OF CONSTRUCTION UNDER THIS CONTRACT.

**LEGEND NOTES**

- 1. FOUR FIXTURES TYPE SE PROVIDING SUSPENDED STRAND LIGHTING AND ASSOCIATED TRANSFORMERS SE-T WILL BE DELETED FROM THE PHASE 1C CONTRACT.
- 2. PROVIDE THREE BRIDGE MOUNTED FIXTURES TYPE "C".
- 3. ALL CONDUIT UNDER BRIDGE SHALL BE RIGID STEEL GALVANIZED. JUNCTION BOXES SHALL BE MALLEABLE IRON WITH HUBS FOR THREADED RIGID STEEL CONDUIT WITH WEATHERPROOF CAST COVER AND NEOPRENE GASKET.
- 4. PROVIDE LB CONDULET OF CAST MALLEABLE IRON WITH THREADED HUBS FOR USE WITH RIGID STEEL CONDUITS AND WITH CAST COVERS AND SS SCREWS.



THE SEAL APPEARING ON THIS DOCUMENT WAS AUTHORIZED BY DIANNE M. POPKEN, P.E. #41979 ON 04-29-2010. ALTERATION OF A SEALED DOCUMENT WITHOUT PROPER NOTIFICATION TO THE RESPONSIBLE ENGINEER IS AN OFFENSE UNDER THE TEXAS ENGINEERING PRACTICE ACT. THE RECORD COPY OF THIS DRAWING IS ON FILE AT THE OFFICES OF HALFF ASSOCIATES, 1201 NORTH BOWSER ROAD, RICHARDSON, TEXAS, 75081. TPBE FIRM #F-312.

NO.	REVISION	BY	DATE
<b>TOWN OF ADDISON</b> DALLAS COUNTY, TEXAS			
<b>VITRUVIAN PARK BRIDGES</b> SOUTH PEDESTRIAN BRIDGE			
<b>ELECTRICAL PLAN</b>			
<b>HALFF</b>			
<small>1201 NORTH BOWSER ROAD, RICHARDSON, TEXAS 75081-2275 TEL (214) 346-6200 FAX (214) 739-0095</small>			
PROJECT	DESIGN	DRAWN	DATE
27379		AHH	APRIL 2010
FILE	SHEET		
-	E3-01		