

USER: ch2214

OFFICE: RCH

PROJECT # 27379

FILE: L130-DT-Ponte-27379.dgn

TIME: 11:39:54 AM

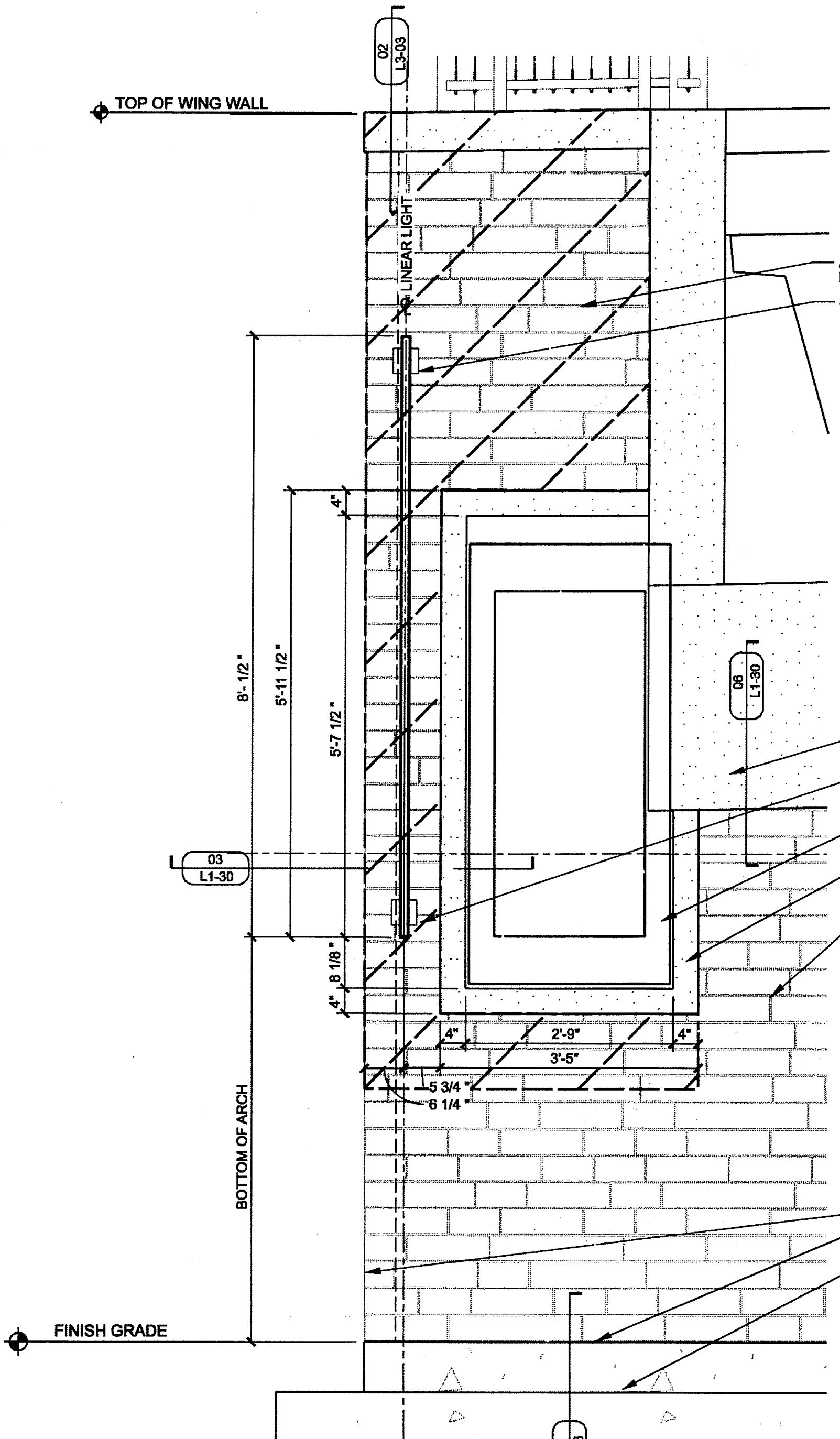
DATE: 4/29/2010

GENERAL NOTES

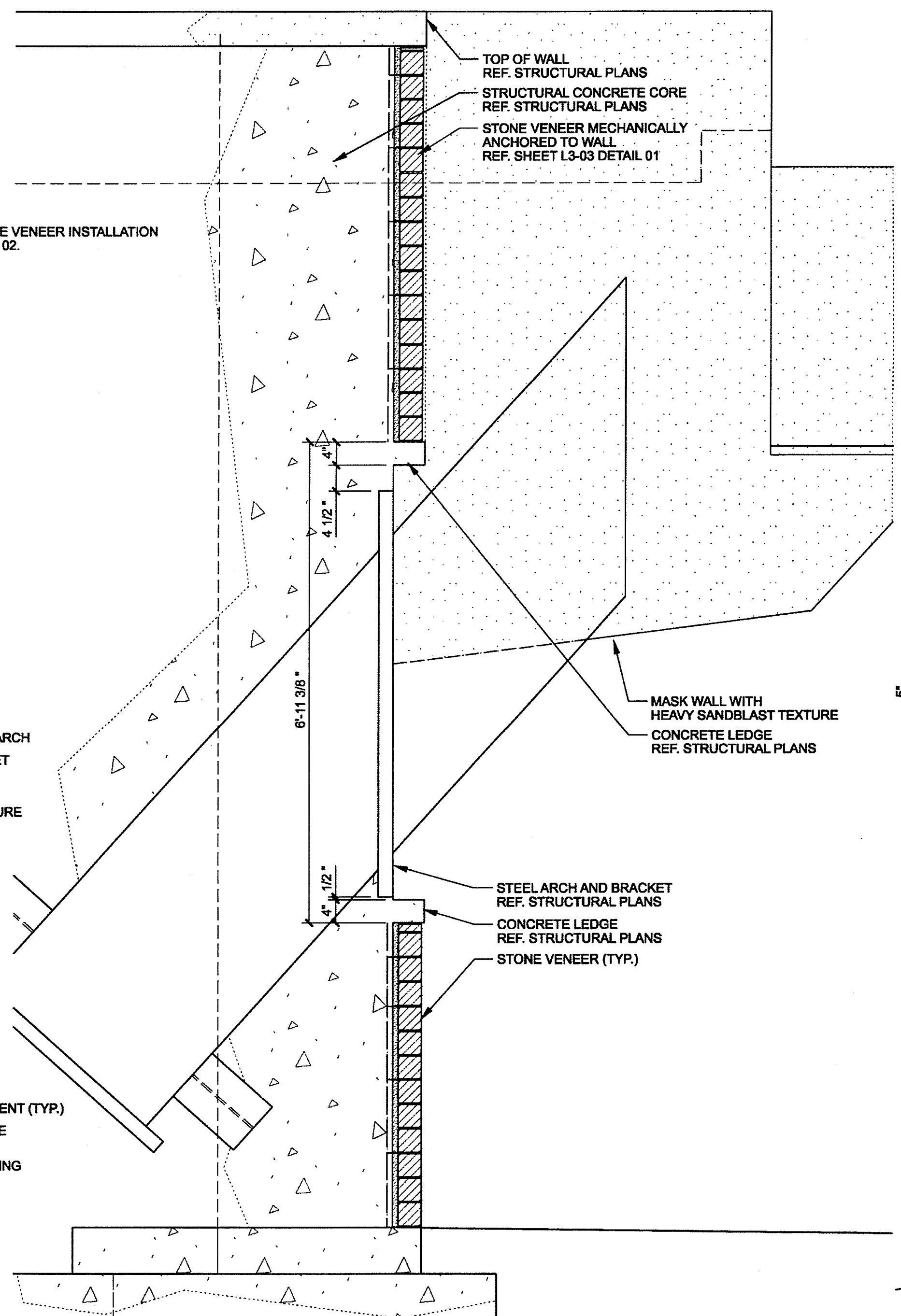
- REF. STRUCTURAL DRAWINGS FOR ALL BRIDGE DIMENSIONS AND COORDINATES.
- ALL RAILING SHALL BE SPACED AT TYPICAL 10'-0" INCREMENTS AS SHOWN ON SHEET L3-01 UNLESS OTHERWISE NOTED.
- ALL WALK DIMENSIONS ARE GIVEN FROM BACK OF CURB UNLESS OTHERWISE NOTED.
- REF. ELECTRICAL DRAWINGS FOR ALL LIGHT FIXTURE TYPES.
- ALL ITEMS AND APPURTANANCES N.I.C. TO BE COORDINATED BY THE CONTRACTOR PRIOR TO WORK COMMENCEMENT.
- ALL DIMENSIONS AND ITEM LOCATIONS ARE TO BE MIRRORED ALONG THE ROAD CENTERLINE UNLESS OTHERWISE NOTED.

DESIGN SELECTION: STRUCTURE

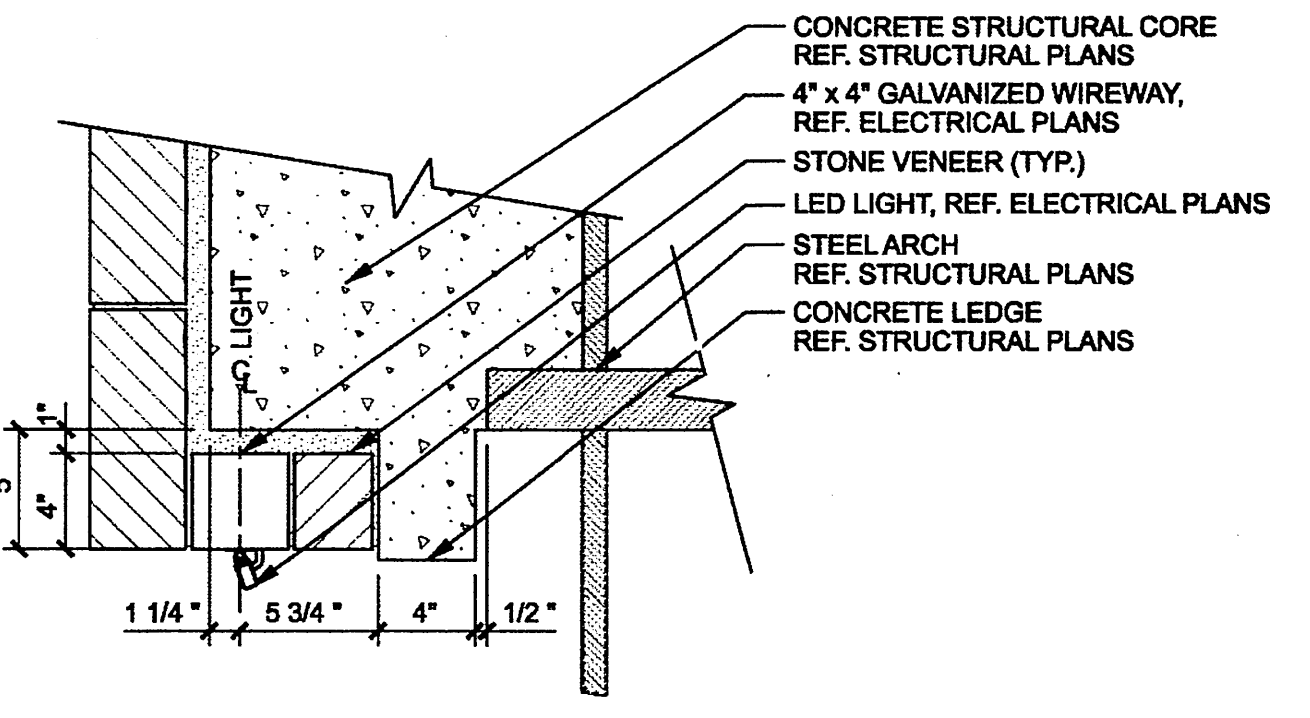
STONE:	
BLUE GREEN CHINESE STONE	
VENER THICKNESS: 4"	
VENER HEIGHT: 4"	
VENER LENGTH: 8", 13" AND 21"	
VENER FINISH: THERMAL	
VENER EDGES: ALL FOUR SIDES TO BE SAW CUT	
MORTAR: DARK GRAY	
COURSING: TO MATCH ON SITE MOCK-UP	
CONCRETE ELEMENTS:	
MASK WALL	
FINISH: HEAVY SANDBLAST ALL SIDES	
COLOR: ELEPHANT GREY	
WALL CAP	
FINISH: HEAVY SANDBLAST	
COLOR: ELEPHANT GREY	
STRUCTURE GENERAL NOTES:	
1. SEE ON-SITE MOCK-UP FOR ALL REFERENCED CONCRETE AND STONE, COLORS AND TEXTURES. FINAL APPROVAL BY OWNER OR OWNERS REPRESENTATIVE IS REQUIRED PRIOR TO WORK COMMENCEMENT.	
2. CONTRACTOR TO PROVIDE A 4' x 4' MOCK-UP OF ALL REFERENCED CONCRETE AND STONE, COLORS AND TEXTURES FOR APPROVAL PRIOR TO WORK COMMENCEMENT.	



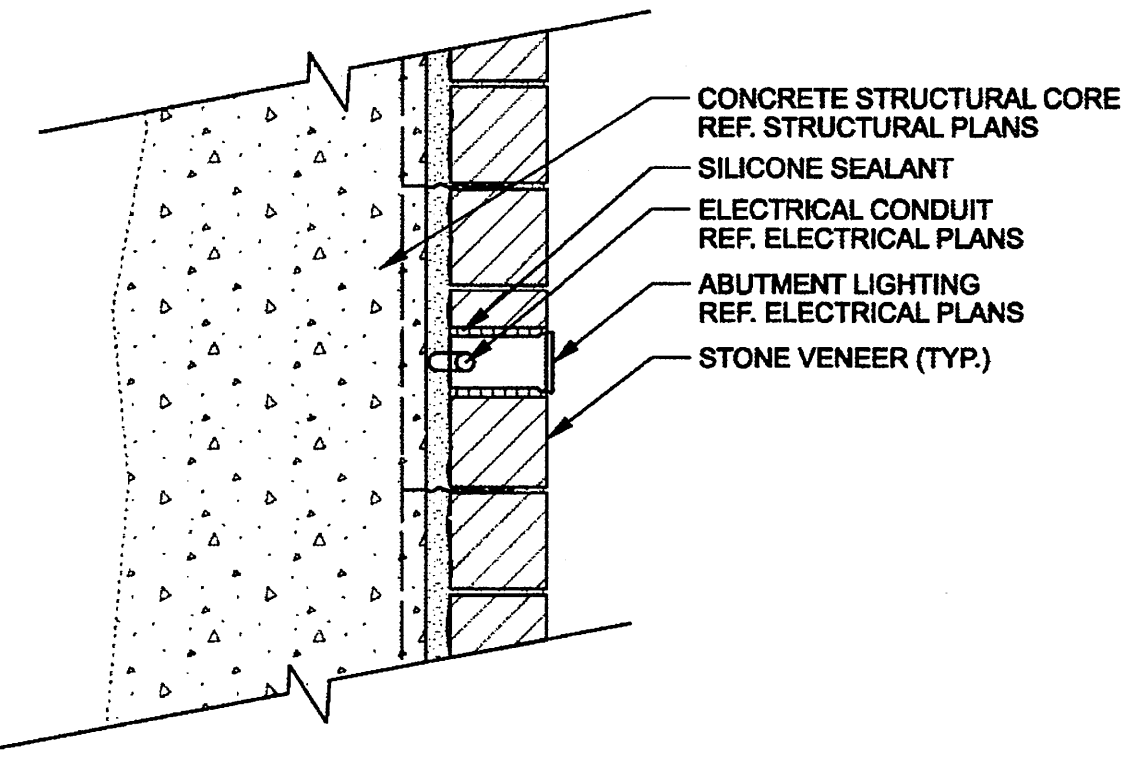
01 ARCH AT ABUTMENT (TYP.) ELEVATION SCALE: 3/4"=1'-0"



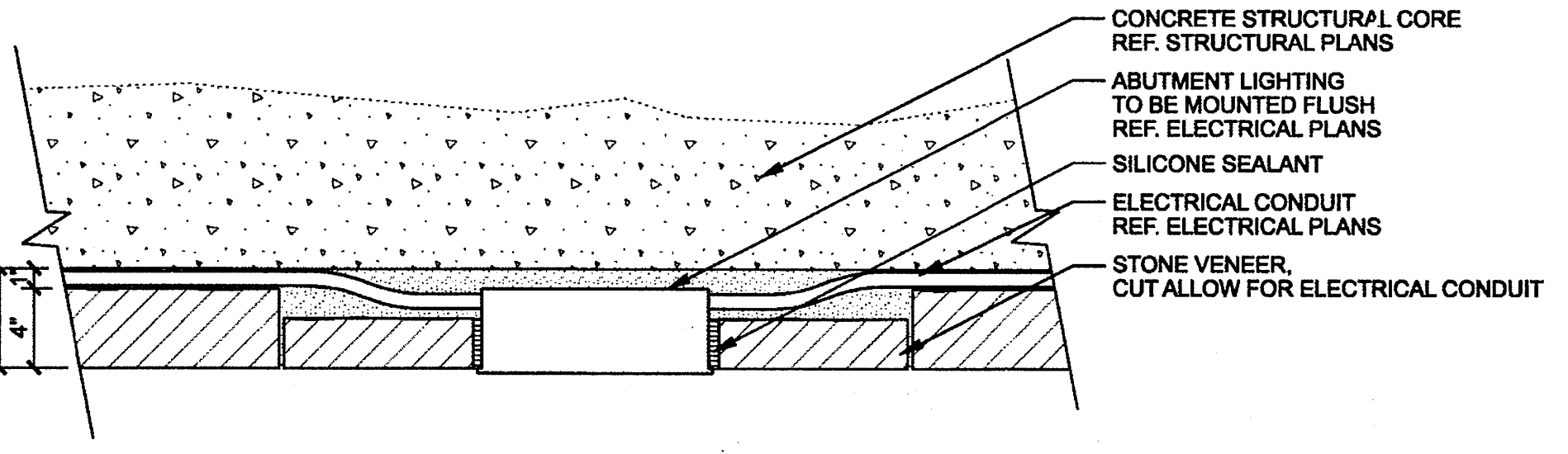
02 ARCH AT ABUTMENT (TYP.) ELEVATION SCALE: 3/4"=1'-0"



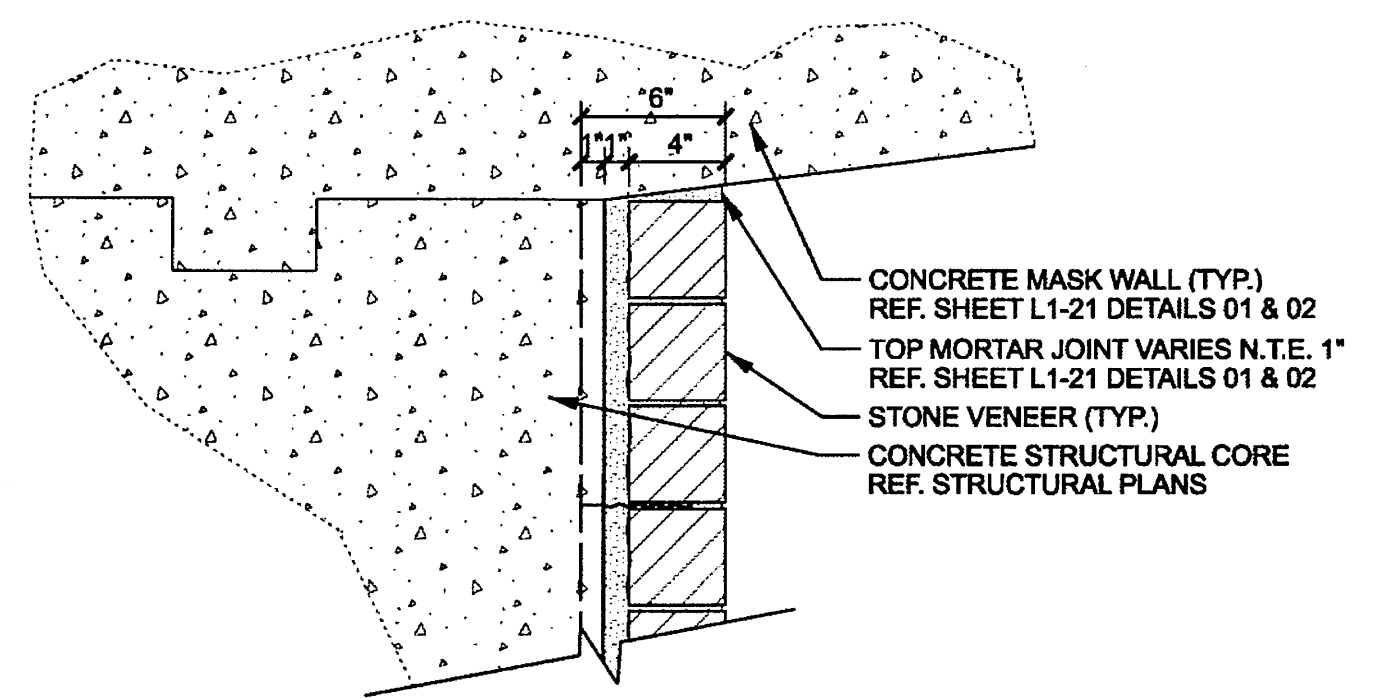
03 STONE WALL AT LED LIGHT (TYP.) SECTION SCALE: 1 1/2"=1'-0"



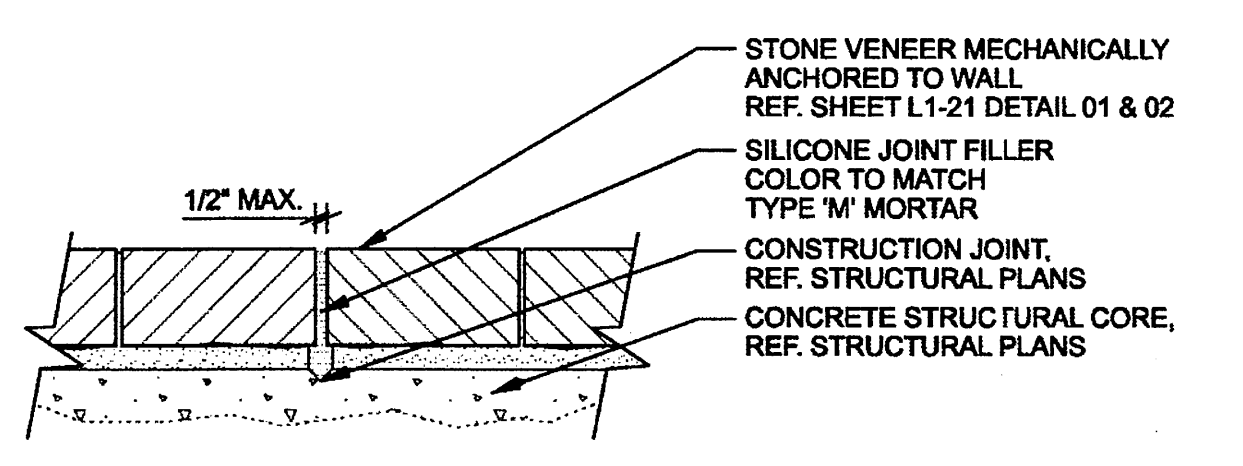
04 ABUTMENT LIGHTING (TYP.) SECTION SCALE: 1 1/2"=1'-0"



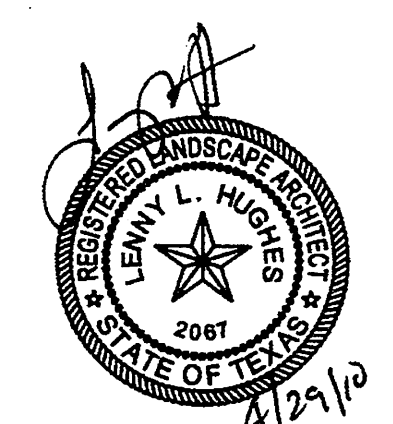
05 ABUTMENT LIGHTING (TYP.) PLAN SCALE: 1 1/2"=1'-0"



06 STONE VENEER AT MASK WALL (TYP.) SECTION SCALE: 1 1/2"=1'-0"



07 CONSTRUCTION JOINT STONE TREATMENT (TYP.) SECTION SCALE: 1 1/2"=1'-0"



THE SEAL APPEARING ON THIS DOCUMENT WAS AUTHORIZED BY LENNY L. HUGHES, P.L.A. #2067 ON 04-29-2010. ALTERATION OF A SEALED DOCUMENT WITHOUT PROPER NOTIFICATION TO THE RESPONSIBLE LANDSCAPE ARCHITECT IS AN OFFENSE UNDER THE TEXAS ENGINEERING PRACTICE ACT. THE RECORD COPY OF THIS DRAWING IS ON FILE AT THE OFFICES OF HALFF ASSOCIATES, INC., 1201 NORTH BOWSER, RICHARDSON, TEXAS 75081. TBPE FIRM #F-312

NO.		REVISION		BY		DATE	
ADDISON TOWN OF ADDISON DALLAS COUNTY, TEXAS							
VITRUVIAN PARK BRIDGES PONTE AVENUE							
ABUTMENT DETAILS							
HALFF 1201 NORTH BOWSER ROAD, RICHARDSON, TEXAS 75081-2275 TEL (214) 348-8200 FAX (214) 739-0095							
PROJECT	DESIGN	DRAWN	DATE	FILE	SHEET		
27379	JDB	AHH	APRIL 2010	-	L1-30		