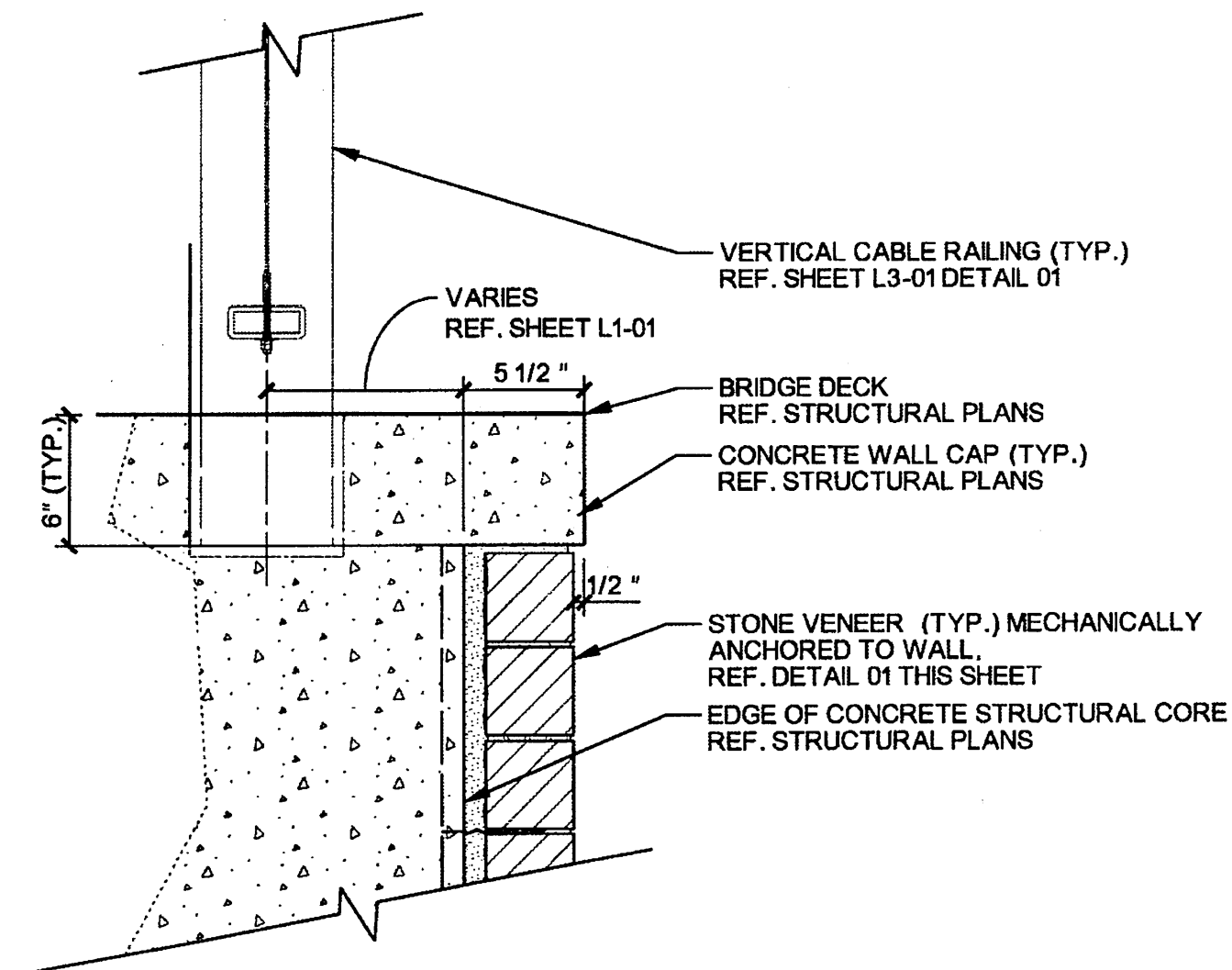
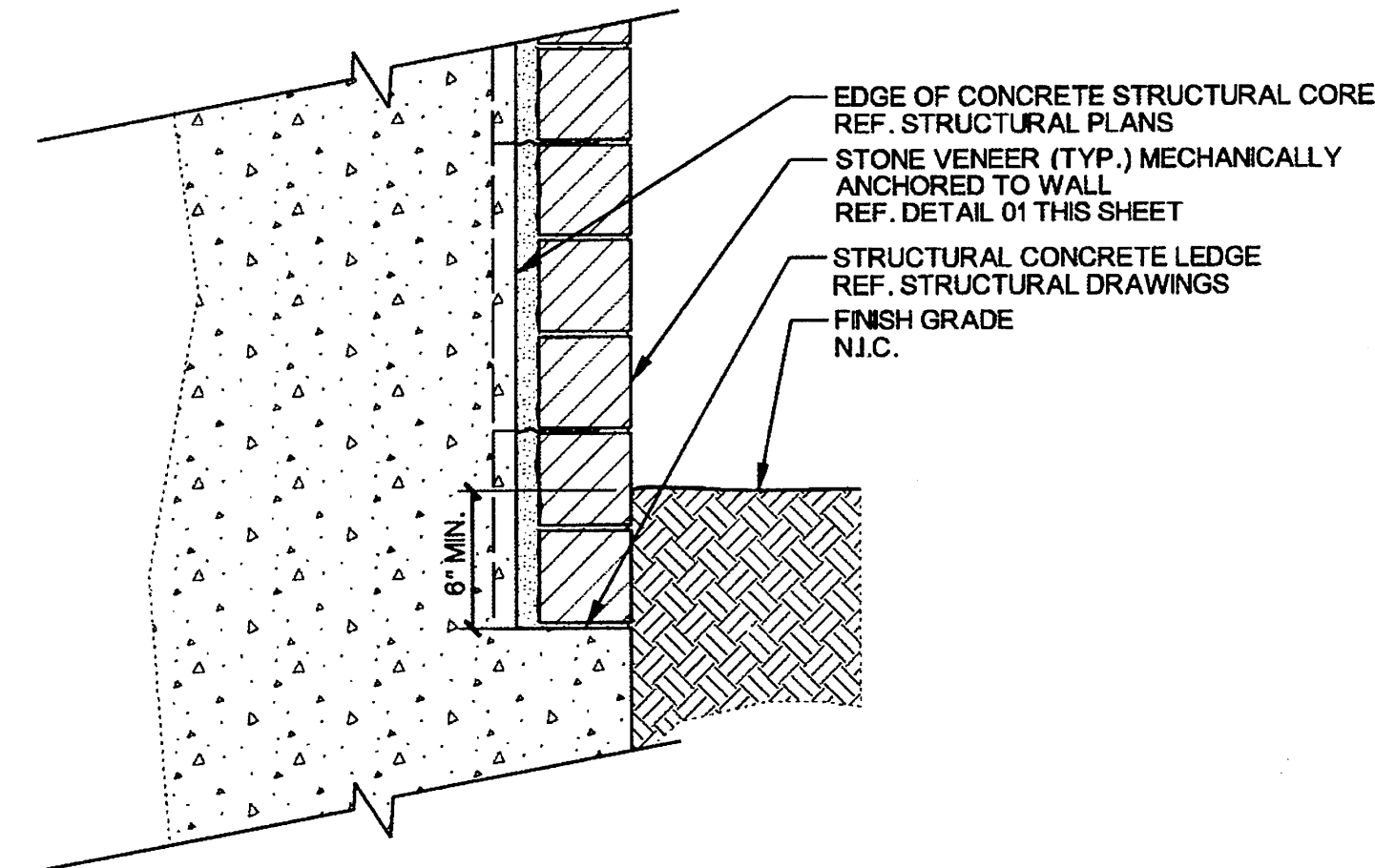


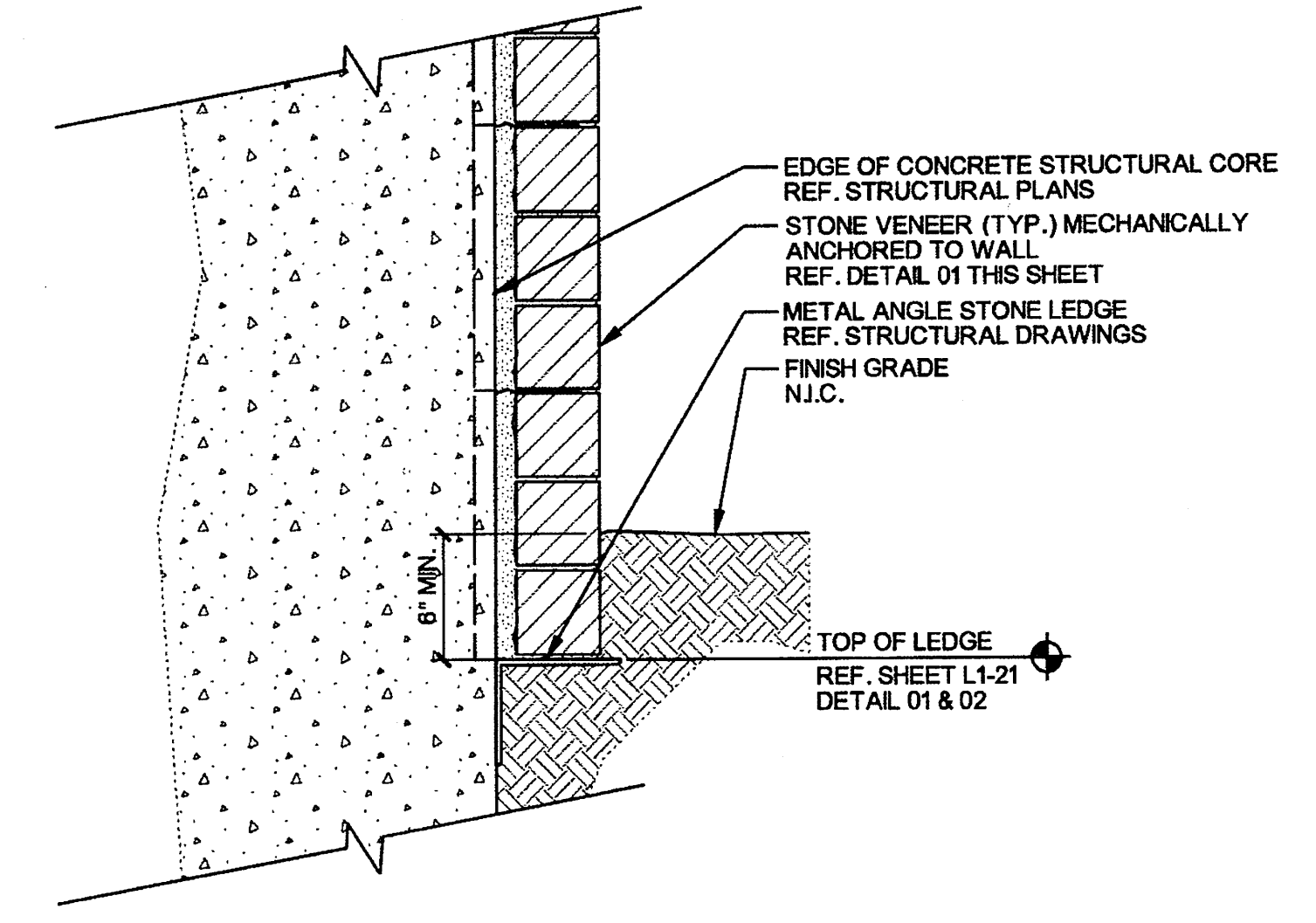
**01 STONE WALL (TYP.)**  
 SCALE: 1 1/2"=1'-0" SECTION



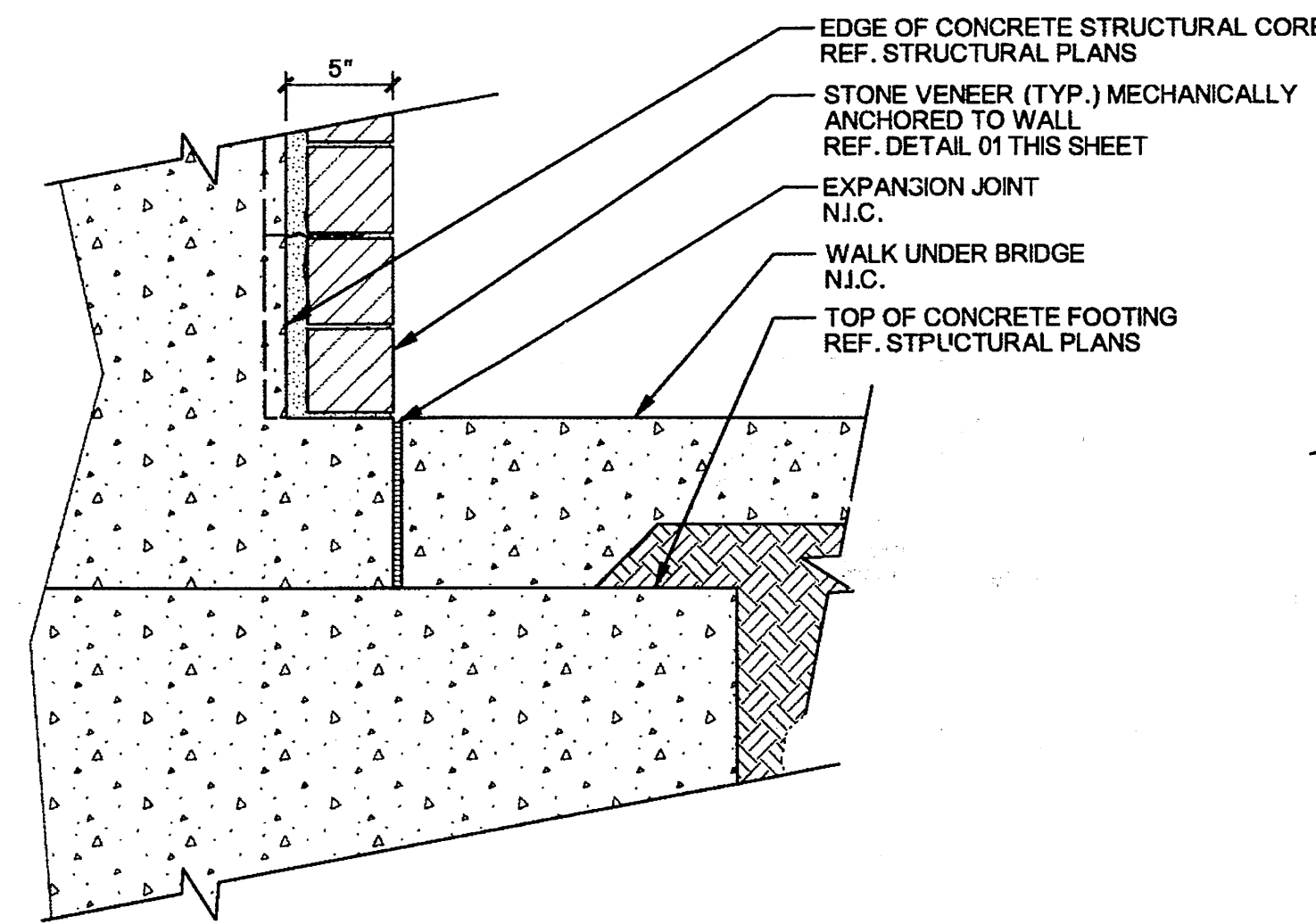
**02 STONE VENEER AT WALL CAP (TYP.)**  
 SCALE: 1 1/2"=1'-0" SECTION



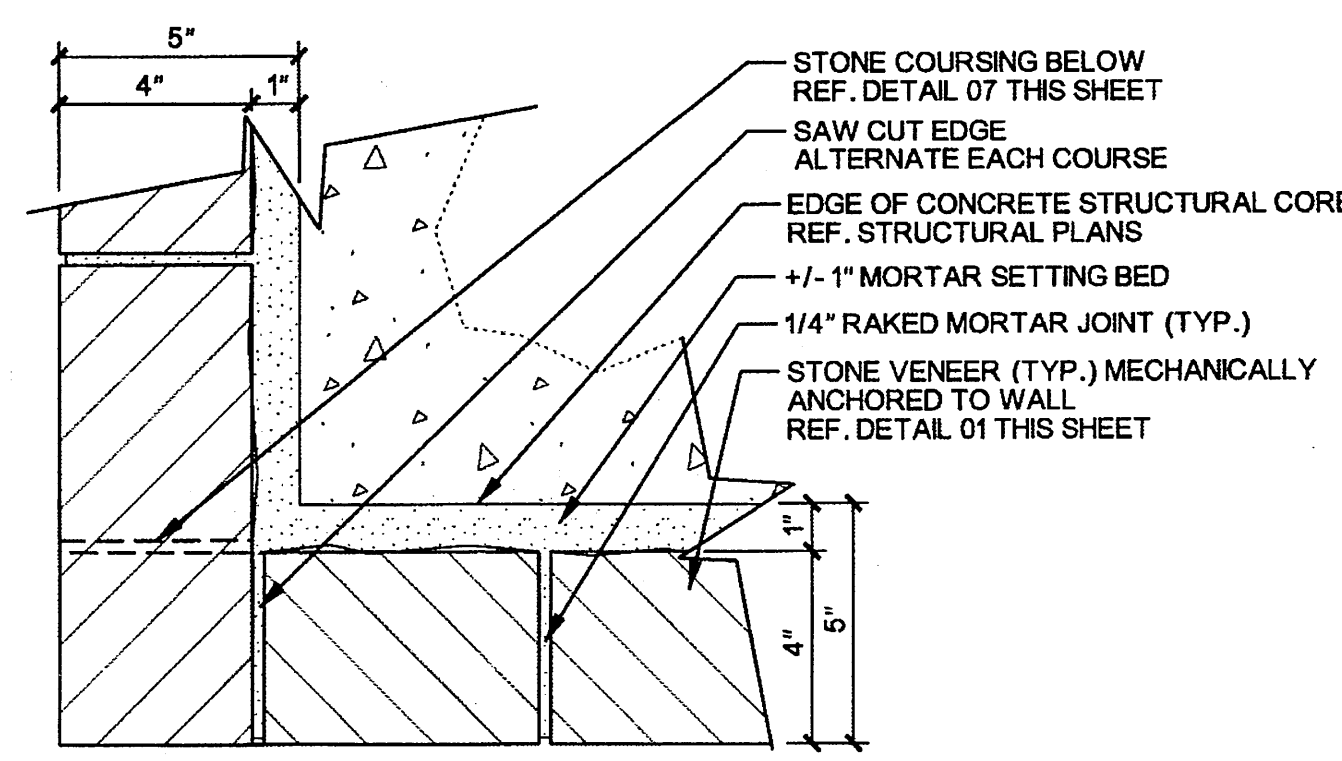
**03 VENEER BASE AT CONCRETE LEDGE**  
 SCALE: 1 1/2"=1'-0" SECTION



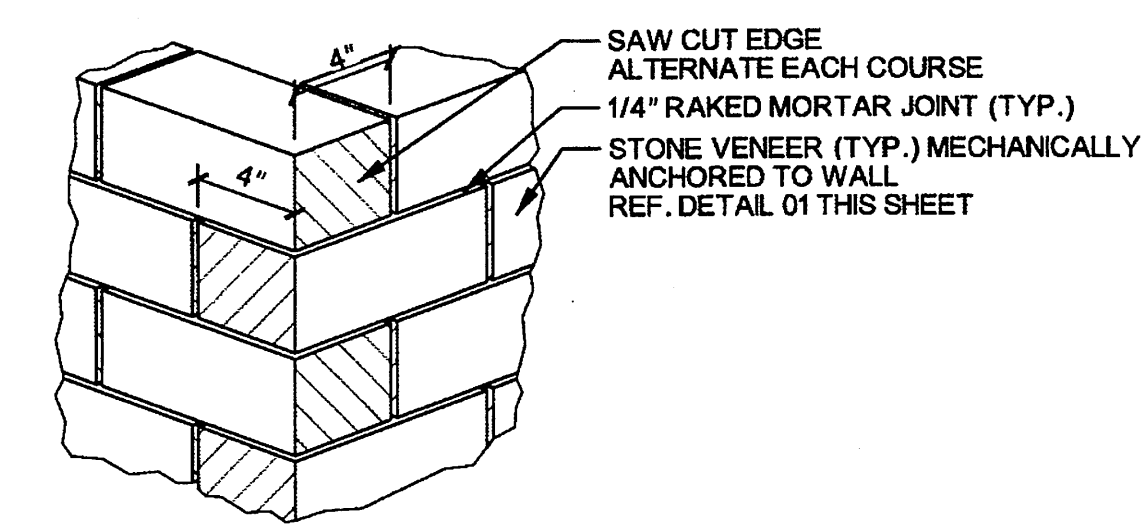
**04 VENEER BASE AT STONE LEDGE**  
 SCALE: 1 1/2"=1'-0" SECTION



**05 VENEER BASE BELOW BRIDGE**  
 SCALE: 1 1/2"=1'-0" SECTION



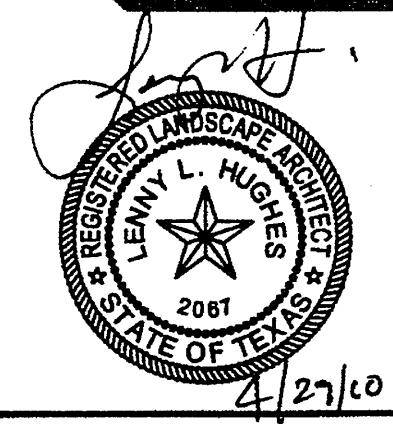
**06 CORNER TREATMENT (TYP.)**  
 SCALE: 3"=1'-0" PLAN



**07 CORNER TREATMENT (TYP.)**  
 NOT TO SCALE ISOMETRIC

**DESIGN SELECTION: STRUCTURE**

<p><b>STONE:</b></p> <p>BLUE GREEN CHINESE STONE</p> <p>VENEER THICKNESS: 4"          VENEER HEIGHT: 4"          VENEER LENGTH: 8", 13" AND 21"          VENEER FINISH: THERMAL          VENEER EDGES: ALL FOUR SIDES TO BE SAW CUT          MORTAR: DARK GRAY          COURSING: TO MATCH ON SITE MOCK-UP</p>
<p><b>CONCRETE ELEMENTS:</b></p> <p><b>MASK WALL</b></p> <p>FINISH: HEAVY SANDBLAST ALL SIDES          COLOR: ELEPHANT GREY</p> <p><b>WALL CAP</b></p> <p>FINISH: HEAVY SANDBLAST          COLOR: ELEPHANT GREY</p>
<p><b>STRUCTURE GENERAL NOTES:</b></p> <p>1. SEE ON-SITE MOCK-UP FOR ALL REFERENCED CONCRETE AND STONE, COLORS AND TEXTURES. FINAL APPROVAL BY OWNER OR OWNERS REPRESENTATIVE IS REQUIRED PRIOR TO WORK COMMENCEMENT.</p> <p>2. CONTRACTOR TO PROVIDE A 4' x 4' MOCK-UP OF ALL REFERENCED CONCRETE AND STONE, COLORS AND TEXTURES FOR APPROVAL PRIOR TO WORK COMMENCEMENT.</p>



THE SEAL APPEARING ON THIS DOCUMENT WAS AUTHORIZED BY LENNY L. HUGHES, R.L.A. #2061 ON 04-29-2010. ALTERATION OF A SEALED DOCUMENT WITHOUT PROPER NOTIFICATION TO THE RESPONSIBLE LANDSCAPE ARCHITECT IS AN OFFENSE UNDER THE TEXAS ENGINEERING PRACTICE ACT. THE RECORD COPY OF THIS DRAWING IS ON FILE AT THE OFFICES OF HALFF ASSOCIATES, INC., 1201 NORTH BOWSER, RICHARDSON, TEXAS 75081. TPE FIRM #F-312

NO.	REVISION	BY	DATE
-----	----------	----	------

**ADDISON** TOWN OF ADDISON  
 DALLAS COUNTY, TEXAS

VITRUVIAN PARK BRIDGES

GENERAL DETAILS

**HALFF** 1201 NORTH BOWSER ROAD, RICHARDSON, TEXAS 75081-2275  
 TEL (214) 346-6200 FAX (214) 738-0086

PROJECT	DESIGN	DRAWN	DATE	FILE	SHEET
27379	JDB	AHH	APRIL 2010	-	L3-03