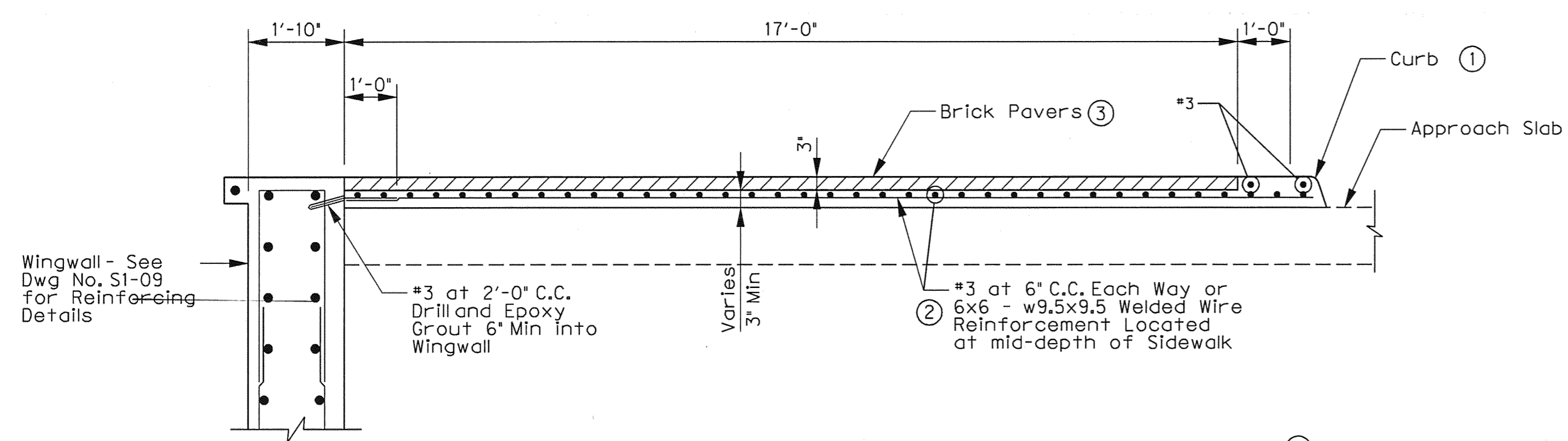


TYPICAL SECTION  
SCALE: 1" = 10'-0"

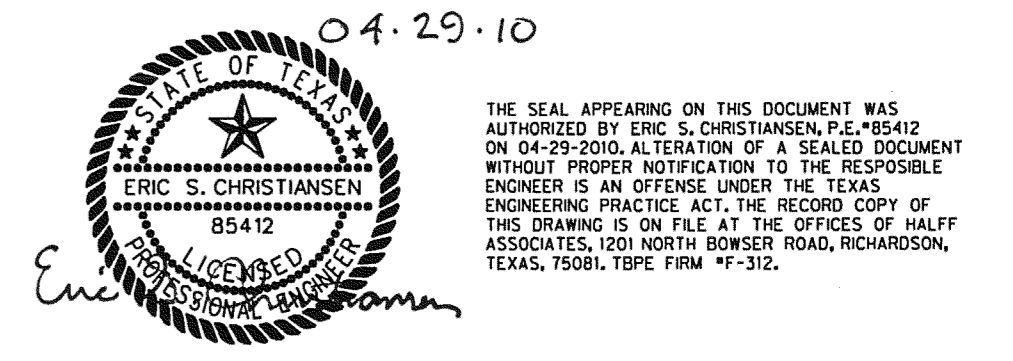
GENERAL NOTES:  
1. FOR BRIDGE PLAN, SEE SHEET 1 OF 3.  
2. FOR BRIDGE ELEVATION, SEE SHEET 2 OF 3.



SIDEWALK ON APPROACH SLAB DETAIL  
SCALE: 1/2" = 1'-0"

- ① See CivilDrawings for Curb Details.
- ② Epoxy coat all sidewalk reinforcing.
- ③ See Landscape Architecture drawings for paver details.

Wingwall - See Dwg No. S1-09 for Reinforcing Details



NO.	REVISION	BY	DATE
TOWN OF ADDISON DALLAS COUNTY, TEXAS VITRUVIAN PARK BRIDGES PONTE AVENUE BRIDGE LAYOUT - TYPICAL SECTION			
1201 NORTH BOWSER ROAD, RICHARDSON, TEXAS 75081-2275 TEL (214) 346-6200 FAX (214) 739-0095			
PROJECT	DESIGN	DRAWN	DATE
FILE	SHEET		
27379	ESC	AHH	APRIL 2010
			S1-03