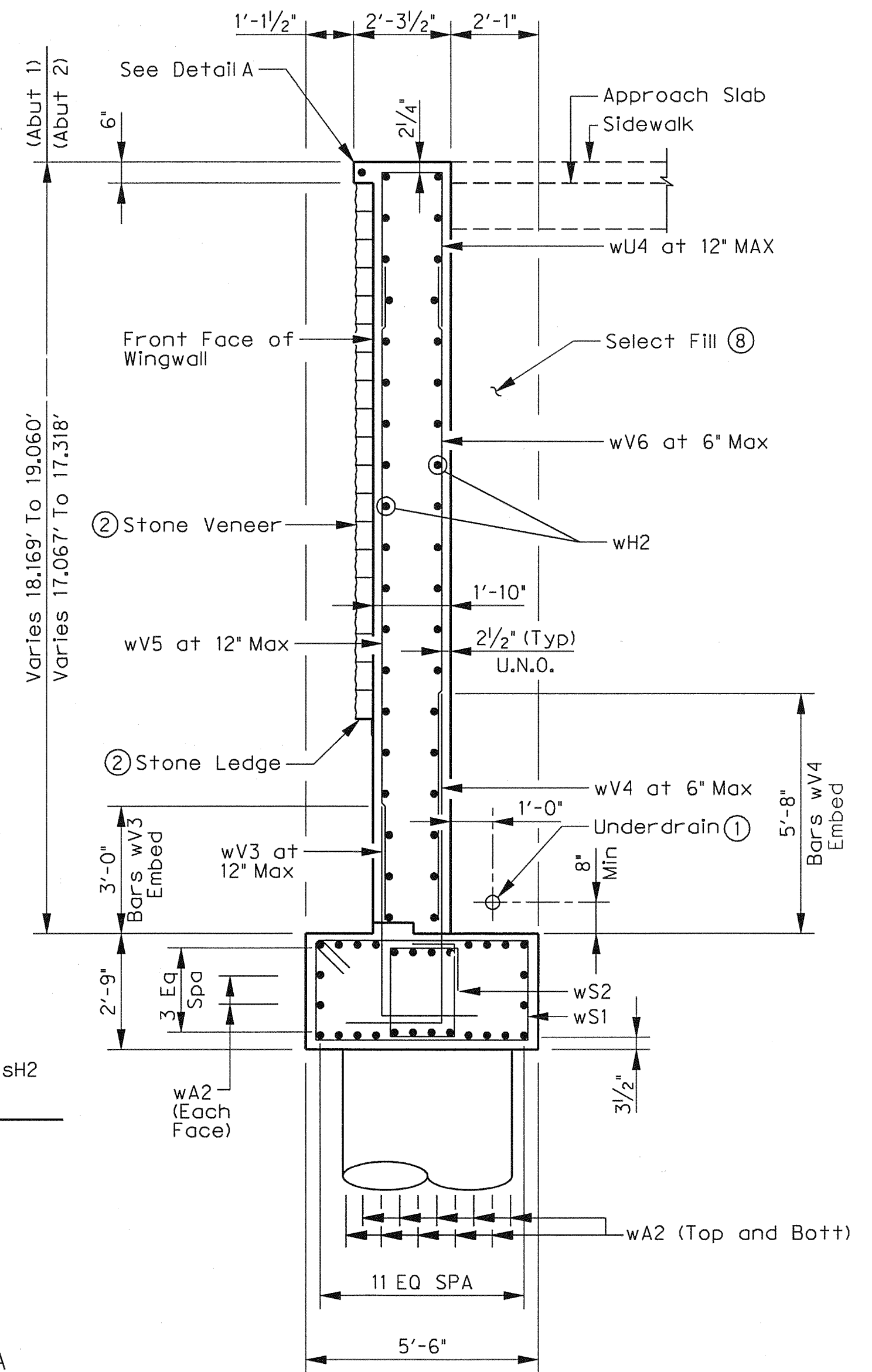
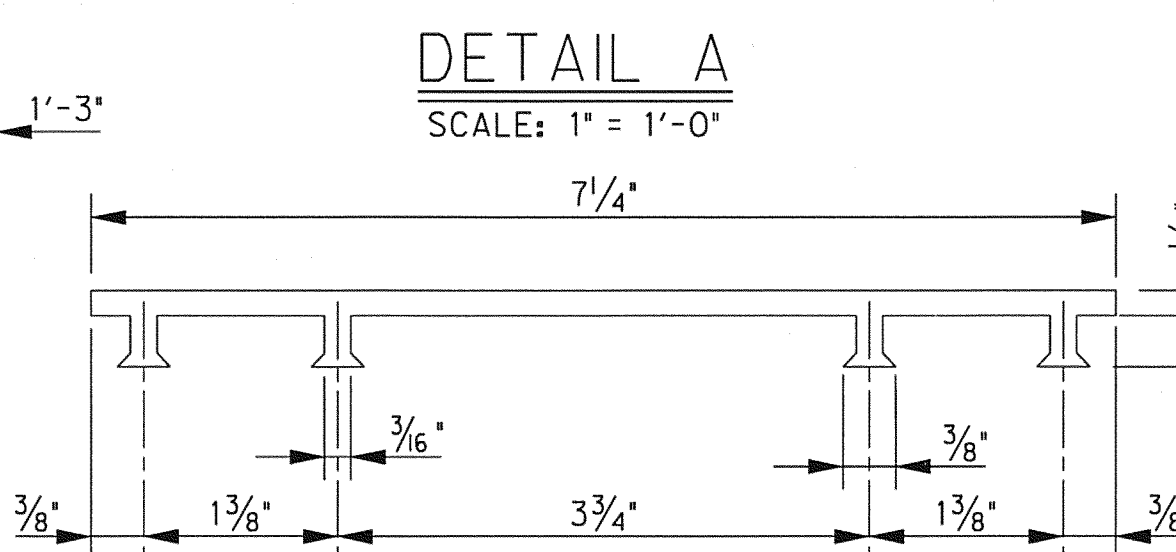


WINGWALL ELEVATION
SCALE: 3/8" = 1'-0"

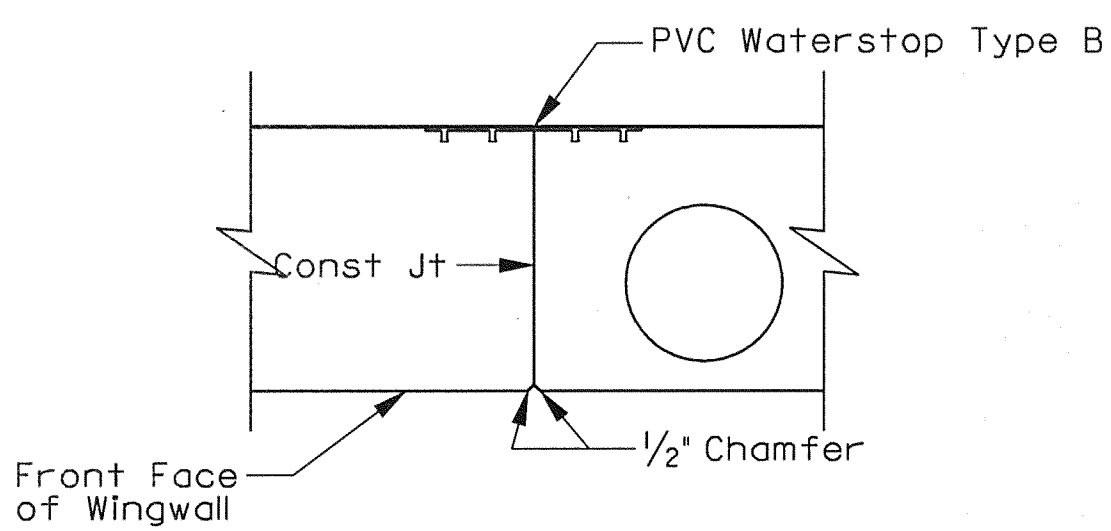


SECTION A-A
SCALE: 3/8" = 1'-0"

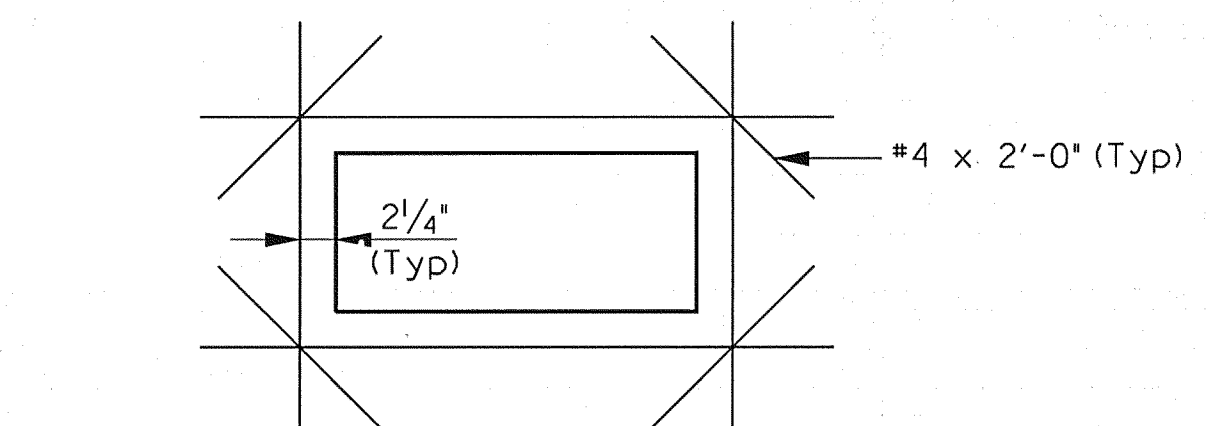


PVC WATERSTOP TYPE B
SCALE: NTS

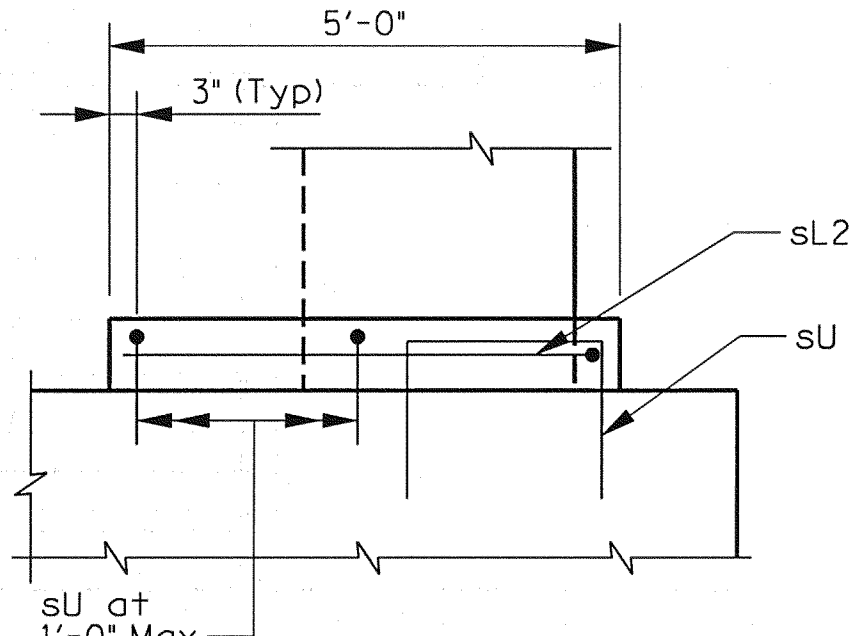
- ① See Sheet 8 of 10 for underdrain detail.
- ② Stone ledge shall be a 5" x 5" x 1/4" angle with 1/2" dia Hilti Kwik Bolt 3 expansion anchors embedded a minimum of 3/2" and spaced at 1'-6" C.C. Refer to landscape architecture sheets for location of stone veneer and stone ledges.
- ③ Field cut bars wH2 2' from steelembed where applicable.
- ④ Flare top bars to match slope of wall.
- ⑤ See Drawing No. S1-23 and S1-24 for steelembed details.
- ⑥ See Sheet 6 of 10 for spacing of bars wG.
- ⑦ See Drawing No. S1-18 for stone collar details.
- ⑧ See Sheet 1 of 10 for select fill notes.
- ⑨ Location varies.
- ⑩ Bars SH2 and SL3 not shown for clarity.



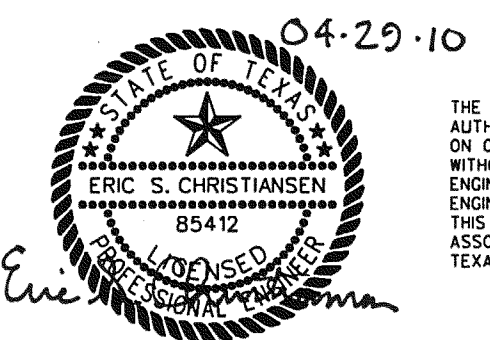
WINGWALL CONSTRUCTION JOINT
SCALE: NTS



TYPICAL WALL PENETRATION
SCALE: NTS



DETAIL B
SCALE: NTS



NO.	REVISION	BY	DATE
TOWN OF ADDISON DALLAS COUNTY, TEXAS VITRUVIAN PARK BRIDGES PONTE AVENUE ABUTMENT DETAILS - WINGWALL DETAILS			
HALFF 1201 NORTH BOWSER ROAD, RICHARDSON, TEXAS 75081-2275 TEL (214) 348-6200 FAX (214) 738-0085			
PROJECT	DESIGN	DRAWN	DATE
27379	ESC	AHH	APRIL 2010
FILE	SHEET		
-	S1-09		