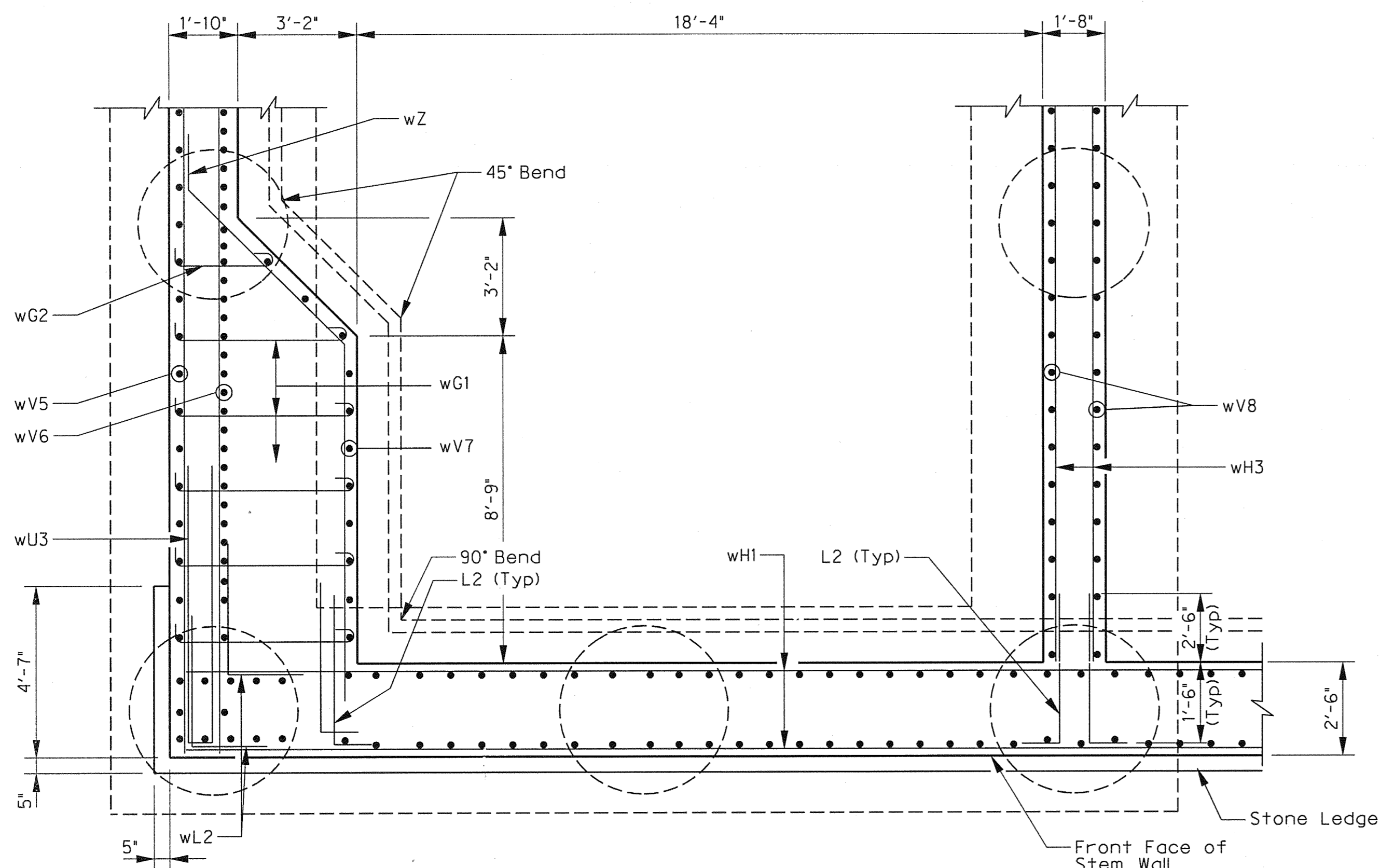
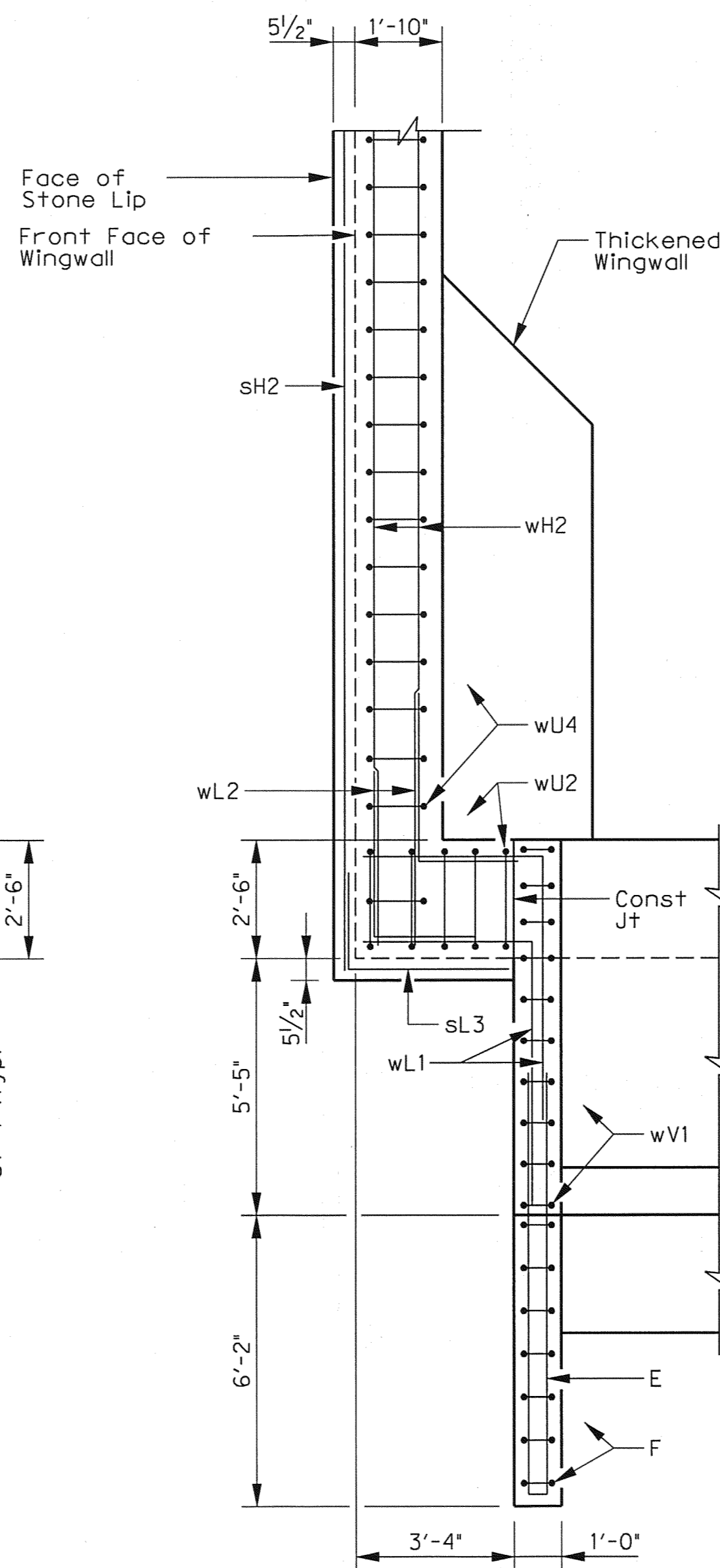


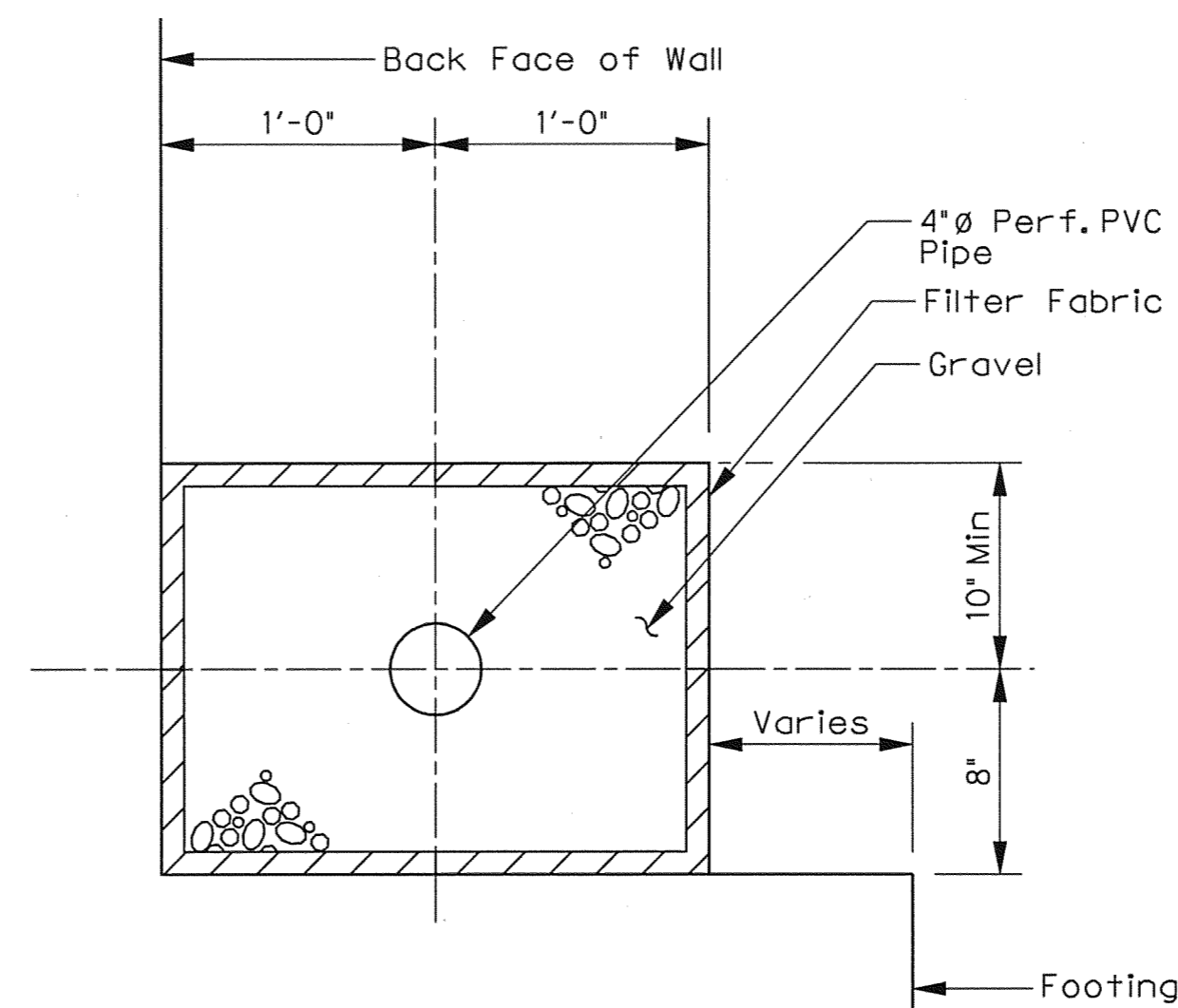
**WALL CORNER DETAILS (TOP)**  
SCALE: 3/8" = 1'-0"



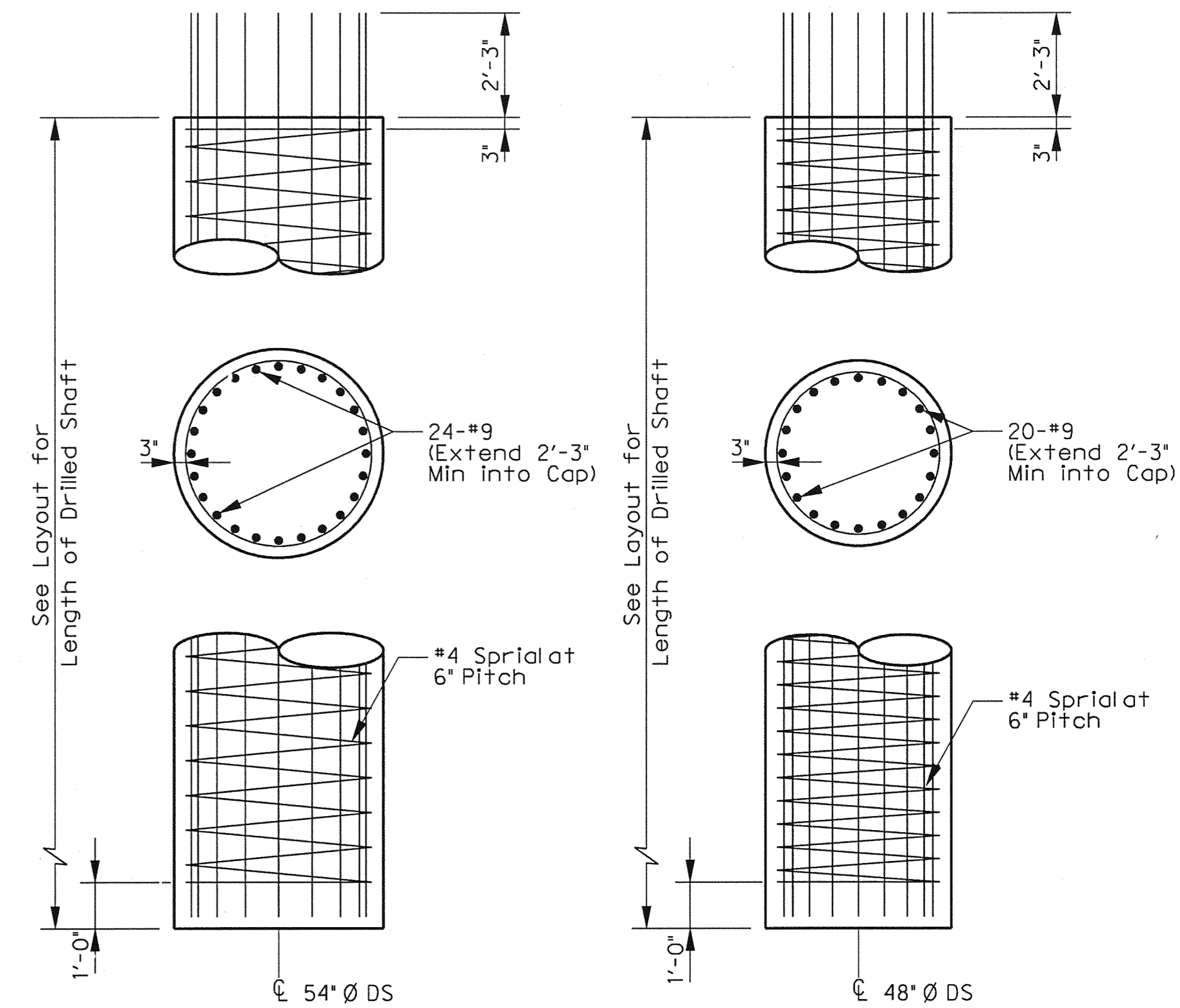
**WALL CORNER DETAILS (BOTTOM)**  
SCALE: 3/8" = 1'-0"



**CAP END DETAIL**  
SCALE: 3/8" = 1'-0"



**UNDERDRAIN DETAIL**  
SCALE: N.T.S.



**DRILLED SHAFT DETAILS**  
SCALE: 3/8" = 1'-0"



THE SEAL APPEARING ON THIS DOCUMENT WAS AUTHORIZED BY ERIC S. CHRISTENSEN, P.E. #85412 ON 04-29-2010. ALTERATION OF A SEALED DOCUMENT WITHOUT PROPER NOTIFICATION TO THE RESPONSIBLE ENGINEER IS AN OFFENSE UNDER THE TEXAS ENGINEERING PRACTICE ACT. THE RECORD COPY OF THIS DRAWING IS ON FILE AT THE OFFICES OF HALFF ASSOCIATES, 1001 NORTH BOWSER ROAD, RICHARDSON, TEXAS, 75081. TPE FIRM #F-312.

NO.	REVISION	BY	DATE
<b>TOWN OF ADDISON</b> DALLAS COUNTY, TEXAS  <b>VITRUVIAN PARK BRIDGES</b> PONTE AVENUE  <b>ABUTMENT DETAILS -</b> <b>WALL CORNER &amp; DR. SHAFTS</b>			
<b>HALFF</b> 1201 NORTH BOWSER ROAD, RICHARDSON, TEXAS 75081-2275 TEL (214) 346-6200 FAX (214) 739-0095			
PROJECT	DESIGN	DRAWN	DATE
27379	ESC	AHH	APRIL 2010
FILE	SHEET		
-	S1-12		