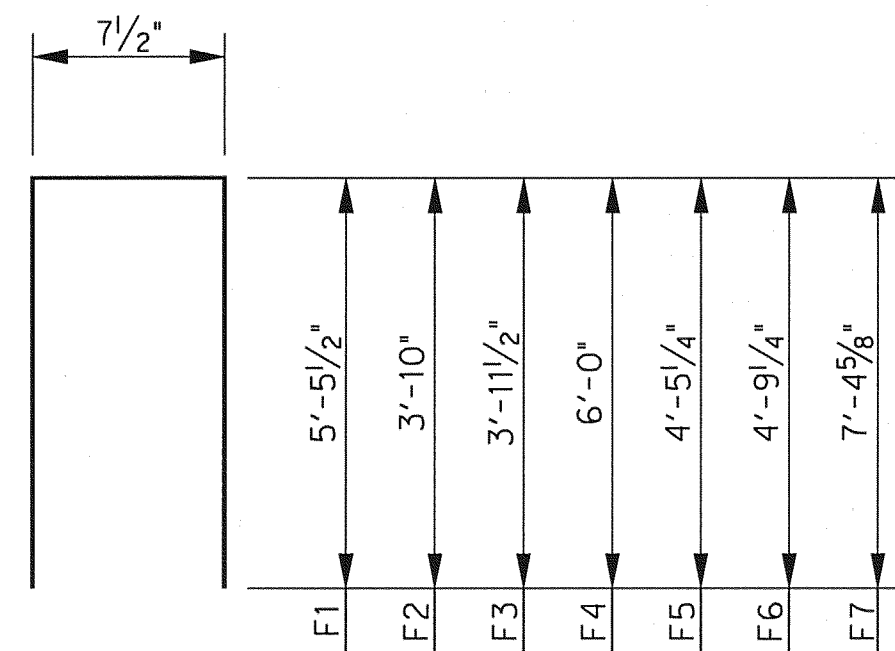
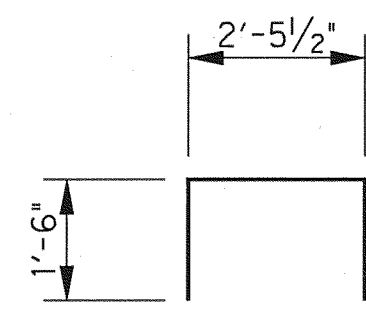


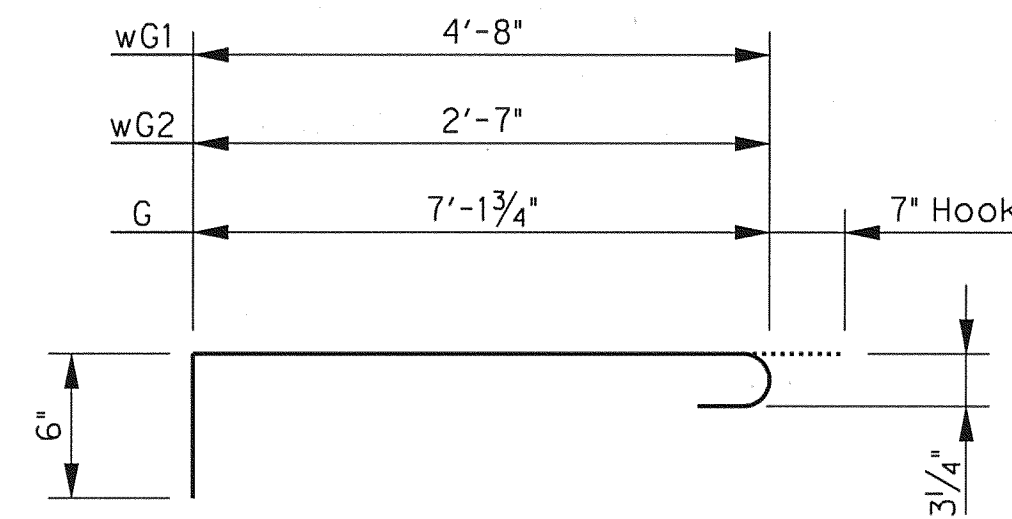
BARS E



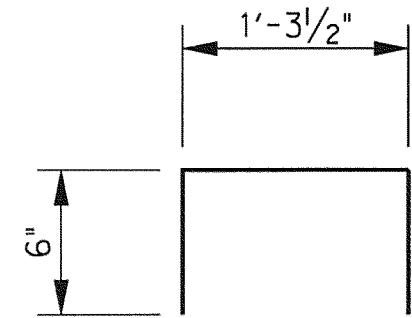
BARS F



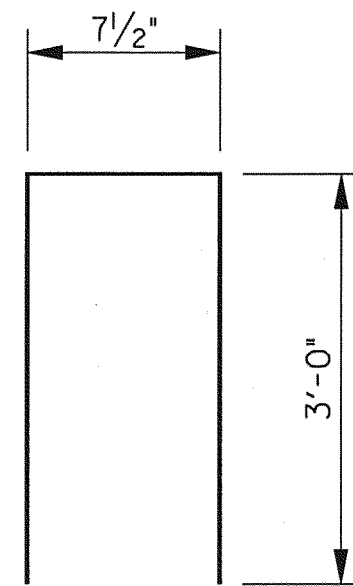
BARS sU



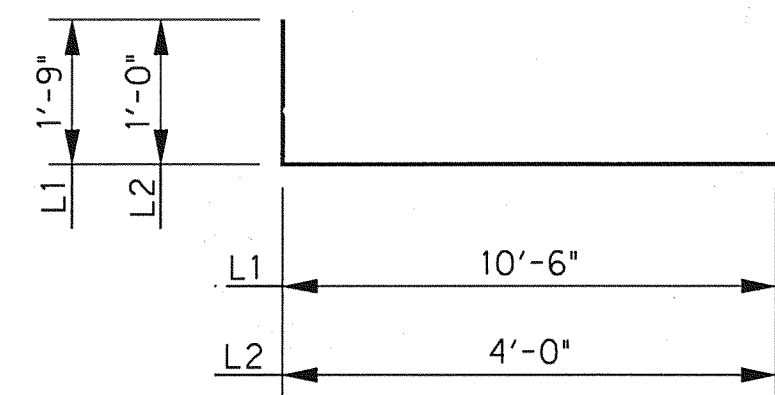
BARS G & wG



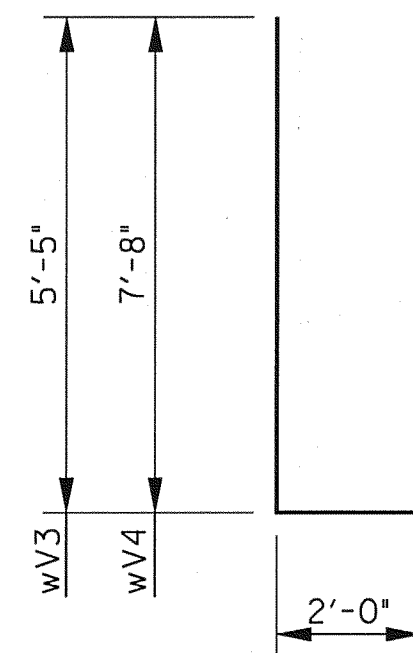
BARS wC



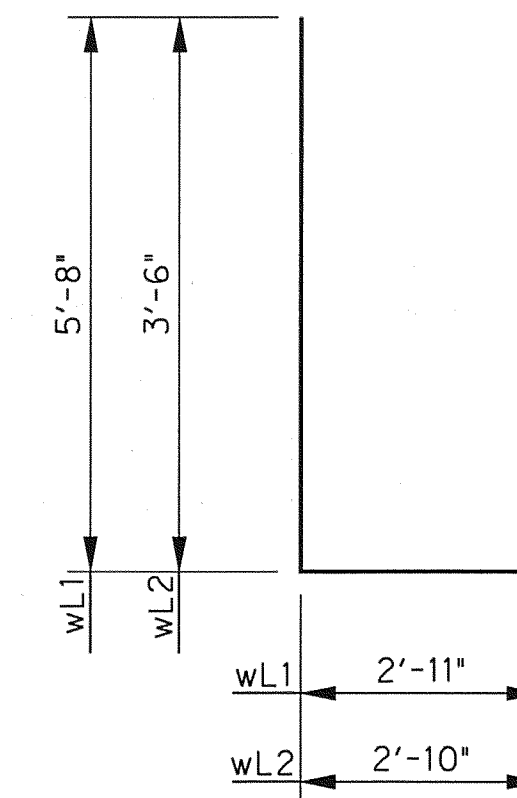
BARS V



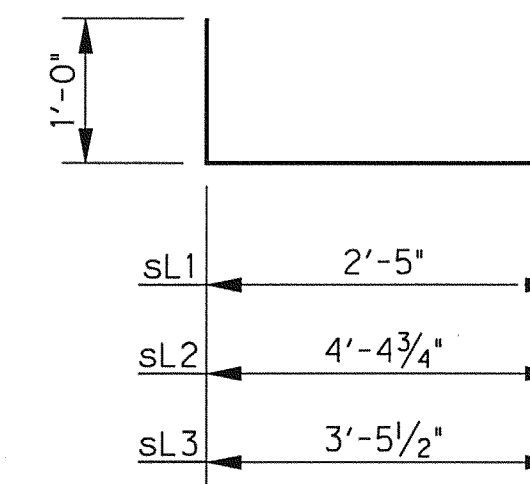
BARS L



BARS wv3 & wv4



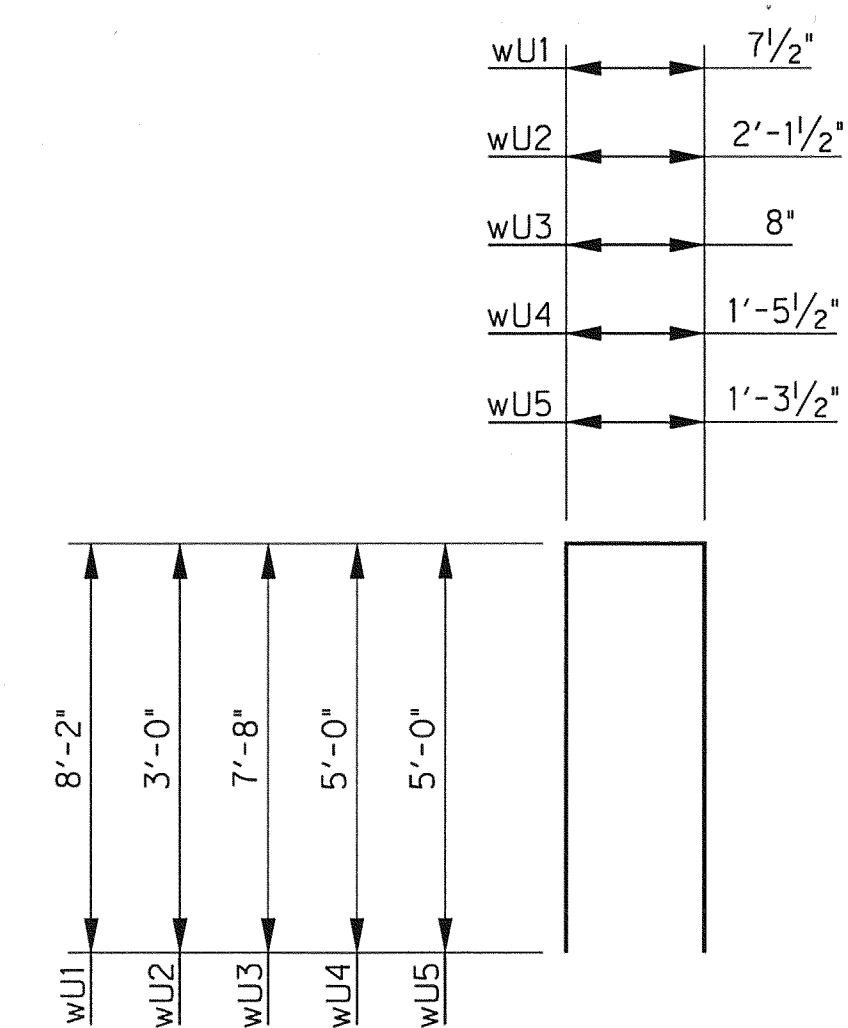
BARS wL



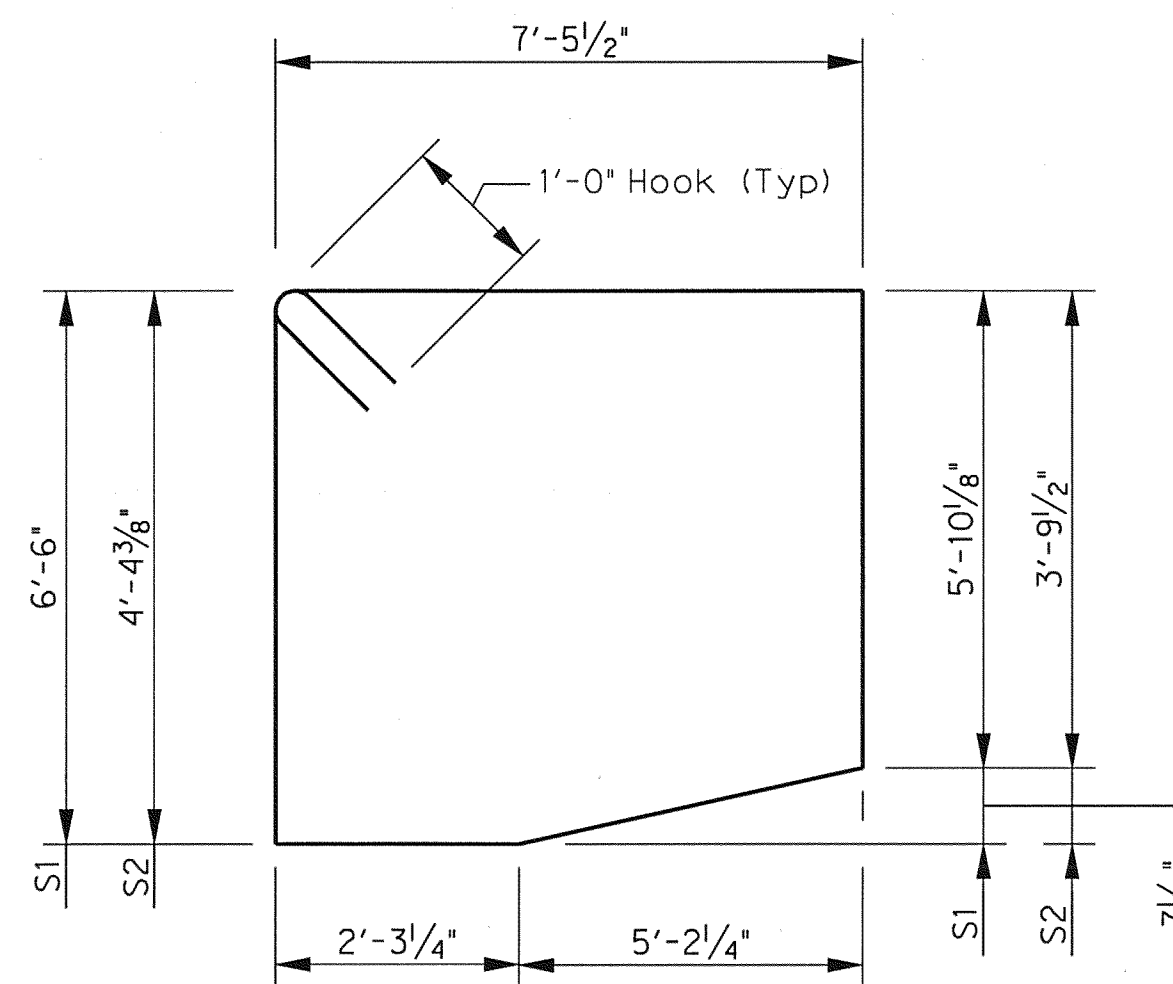
BARS sL



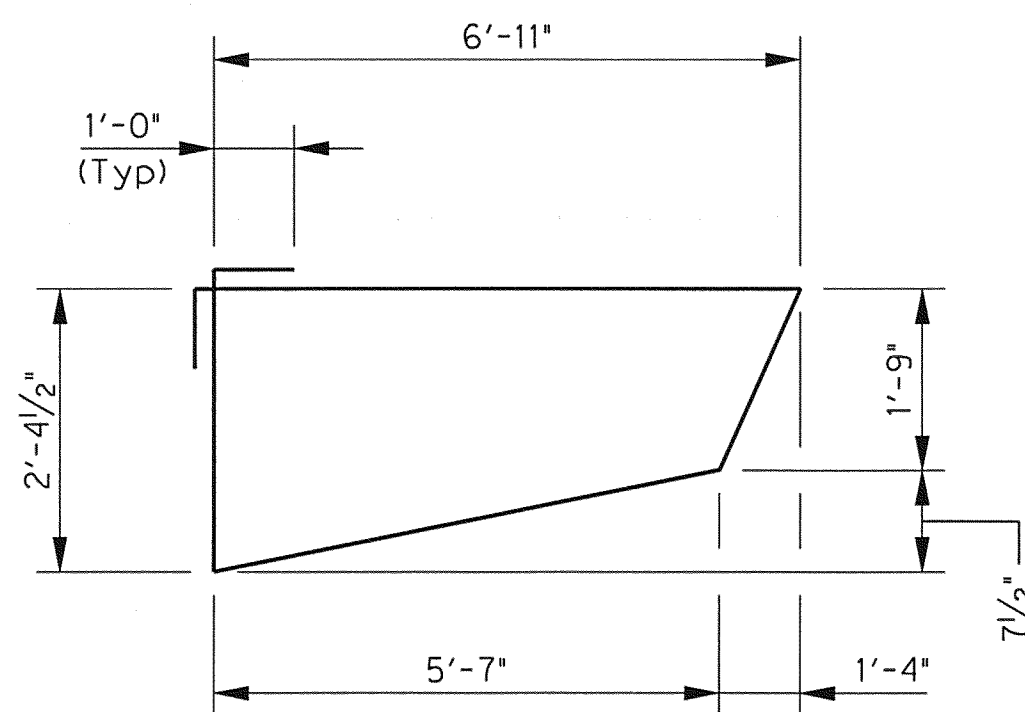
BARS sC



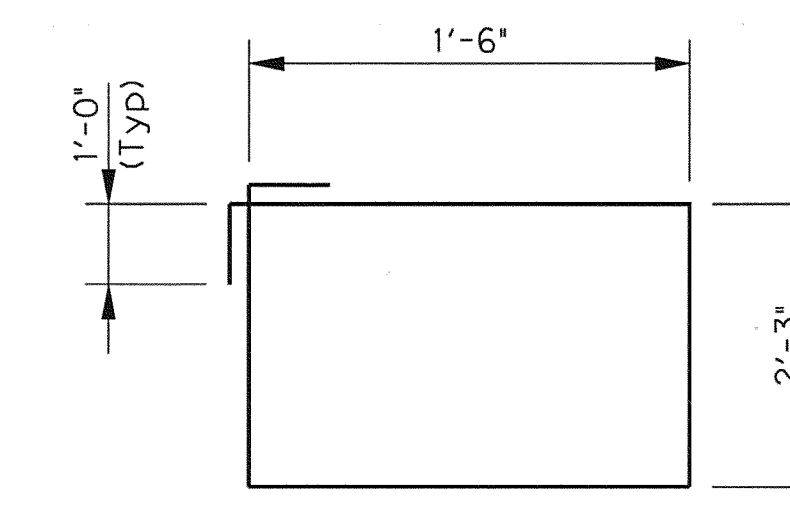
BARS wU



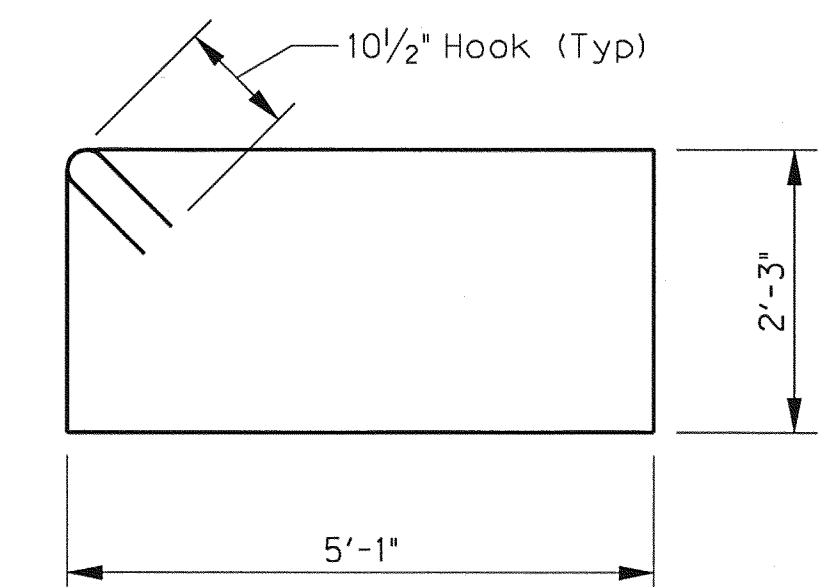
BARS S



BARS M



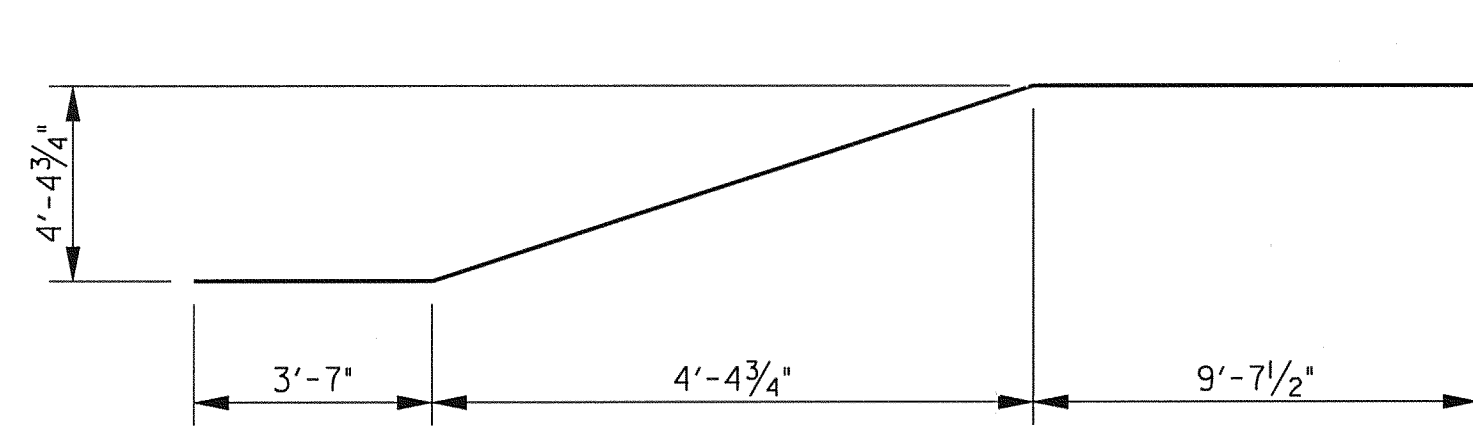
BARS ws2



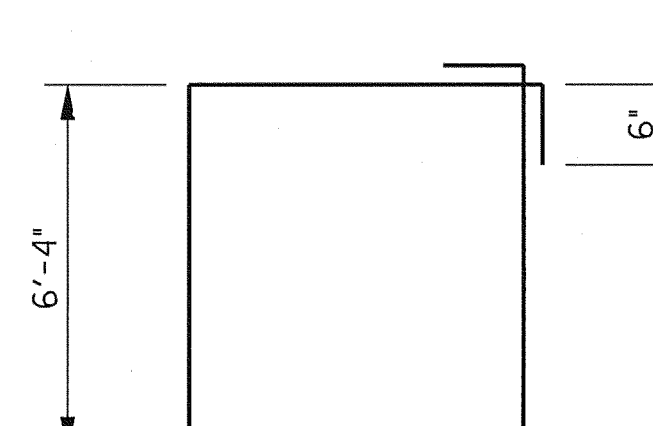
BARS ws1



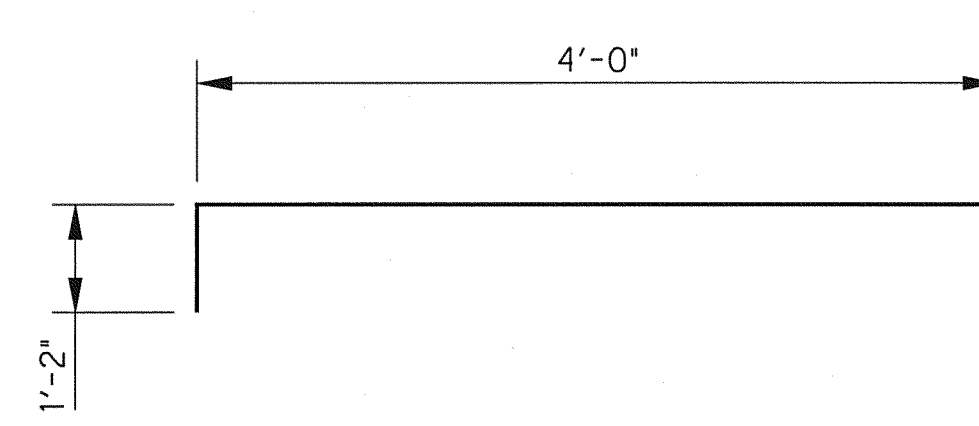
THE SEAL APPEARING ON THIS DOCUMENT WAS AUTHORIZED BY ERIC S. CHRISTIANSEN, P.E. #85412 ON 04-29-2010. ALTERATION OF A SEALED DOCUMENT WITHOUT PROPER NOTIFICATION TO THE RESPONSIBLE ENGINEER IS AN OFFENSE UNDER THE TEXAS ENGINEERING PRACTICE ACT. THE RECORD COPY OF THIS DRAWING IS ON FILE AT THE OFFICES OF HALFF ASSOCIATES, 1201 NORTH BOWSER ROAD, RICHARDSON, TEXAS 75081. TYPE FPM #F-310.



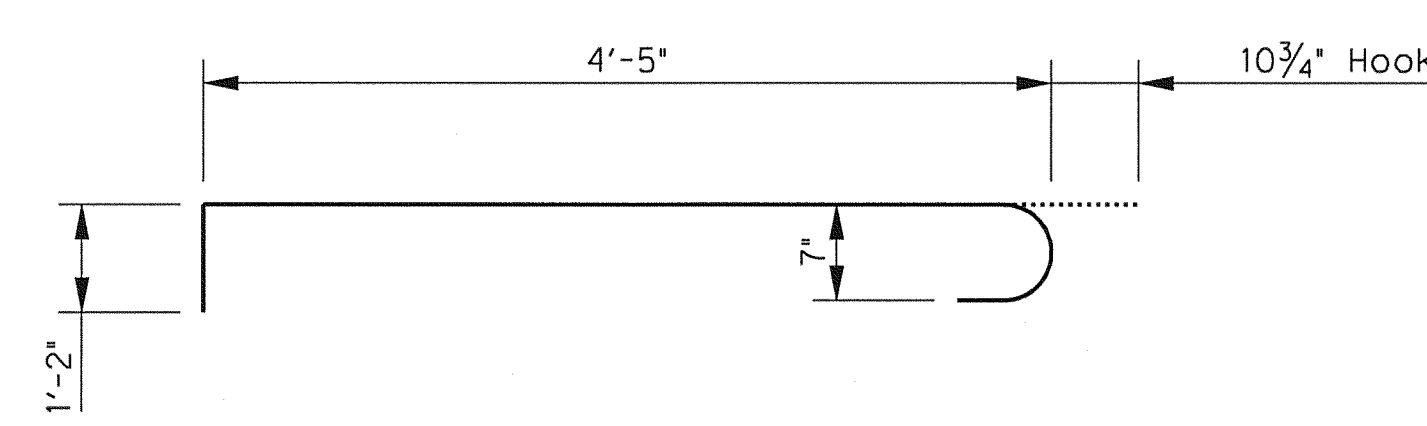
BARS wZ



BARS eS



BARS eH1



BARS eH2

NO.	REVISION	BY	DATE
TOWN OF ADDISON DALLAS COUNTY, TEXAS VITRUVIAN PARK BRIDGES PONTE AVENUE ABUTMENT DETAILS - BAR BENDING DIAGRAMS			
1201 NORTH BOWSER ROAD, RICHARDSON, TEXAS 75081-2275 TEL (214) 346-6200 FAX (214) 739-0085			
PROJECT	DESIGN	DRAWN	DATE
27379	ESC	AHH	APRIL 2010
FILE	SHEET		
-	S1-13		