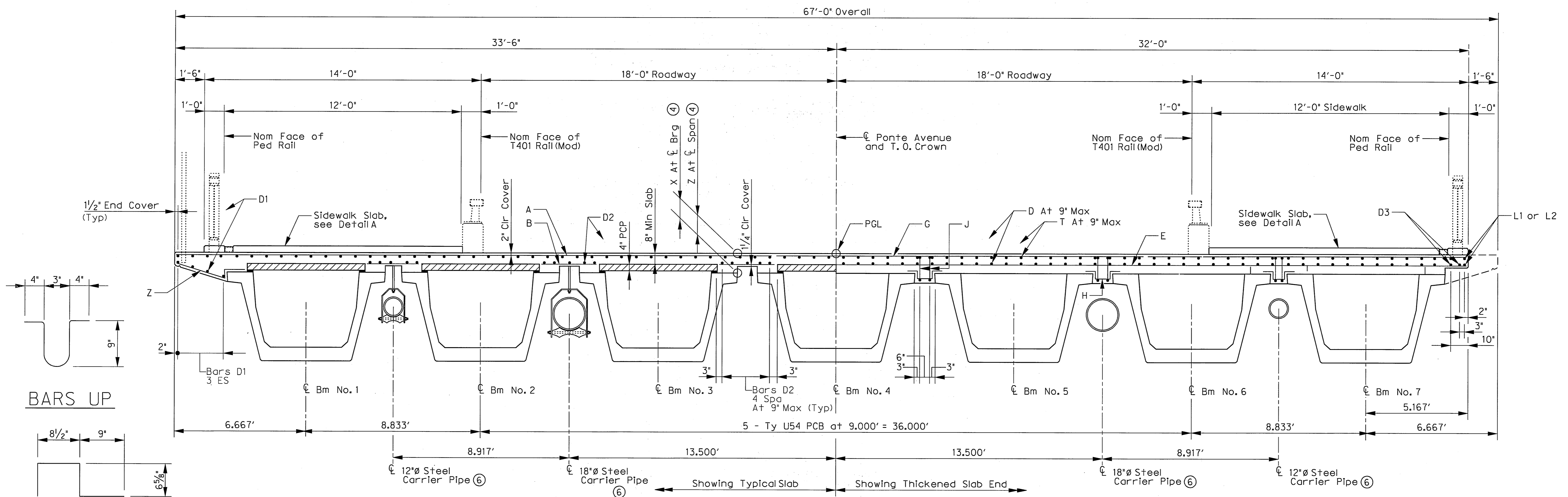
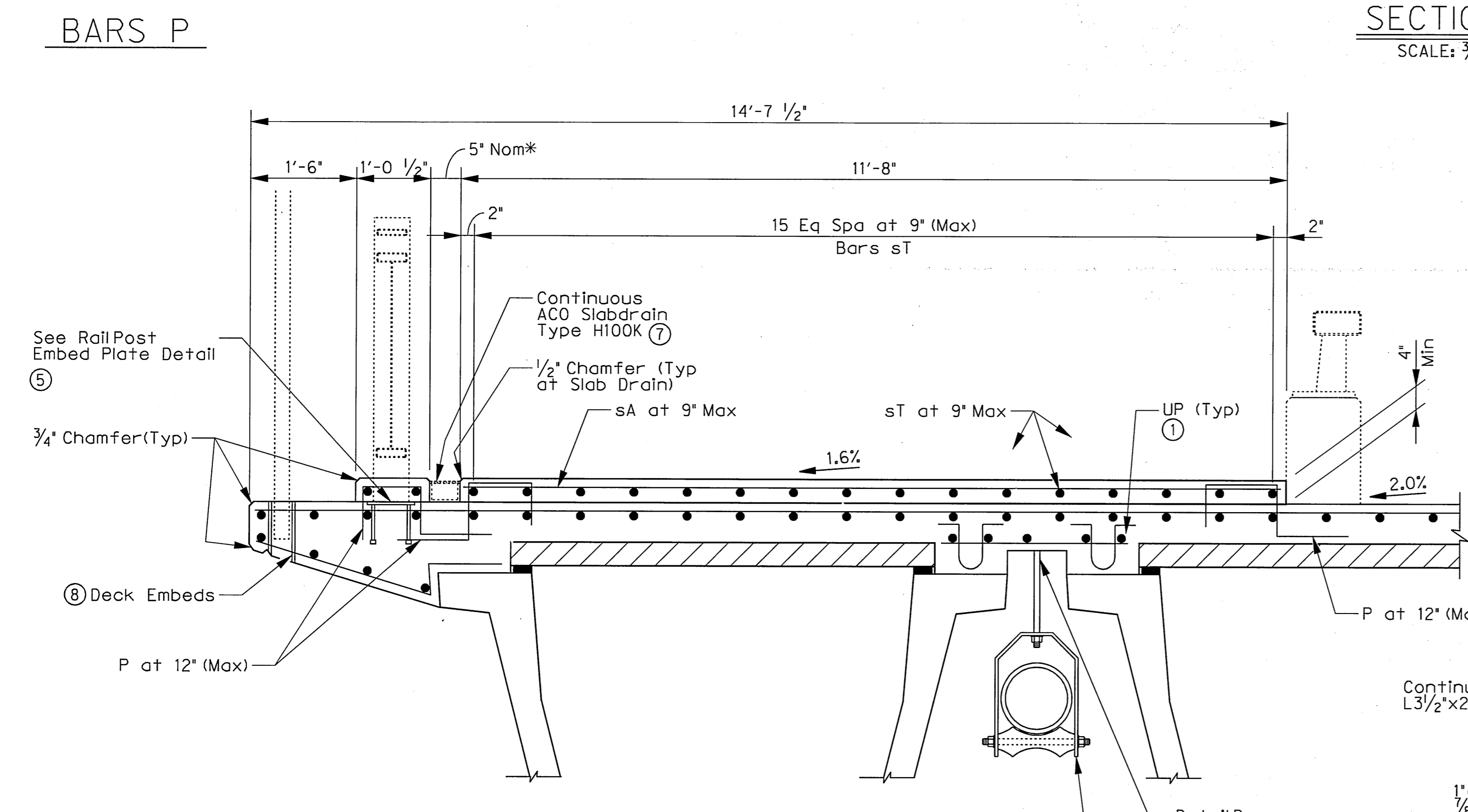


USER: ah2140
 OFFICE: RCH
 PROJECT #: 27379
 FILE: 27379-SC-PONTEB-DD02.dgn
 TIME: 1:47:55 PM
 DATE: 4/29/2010

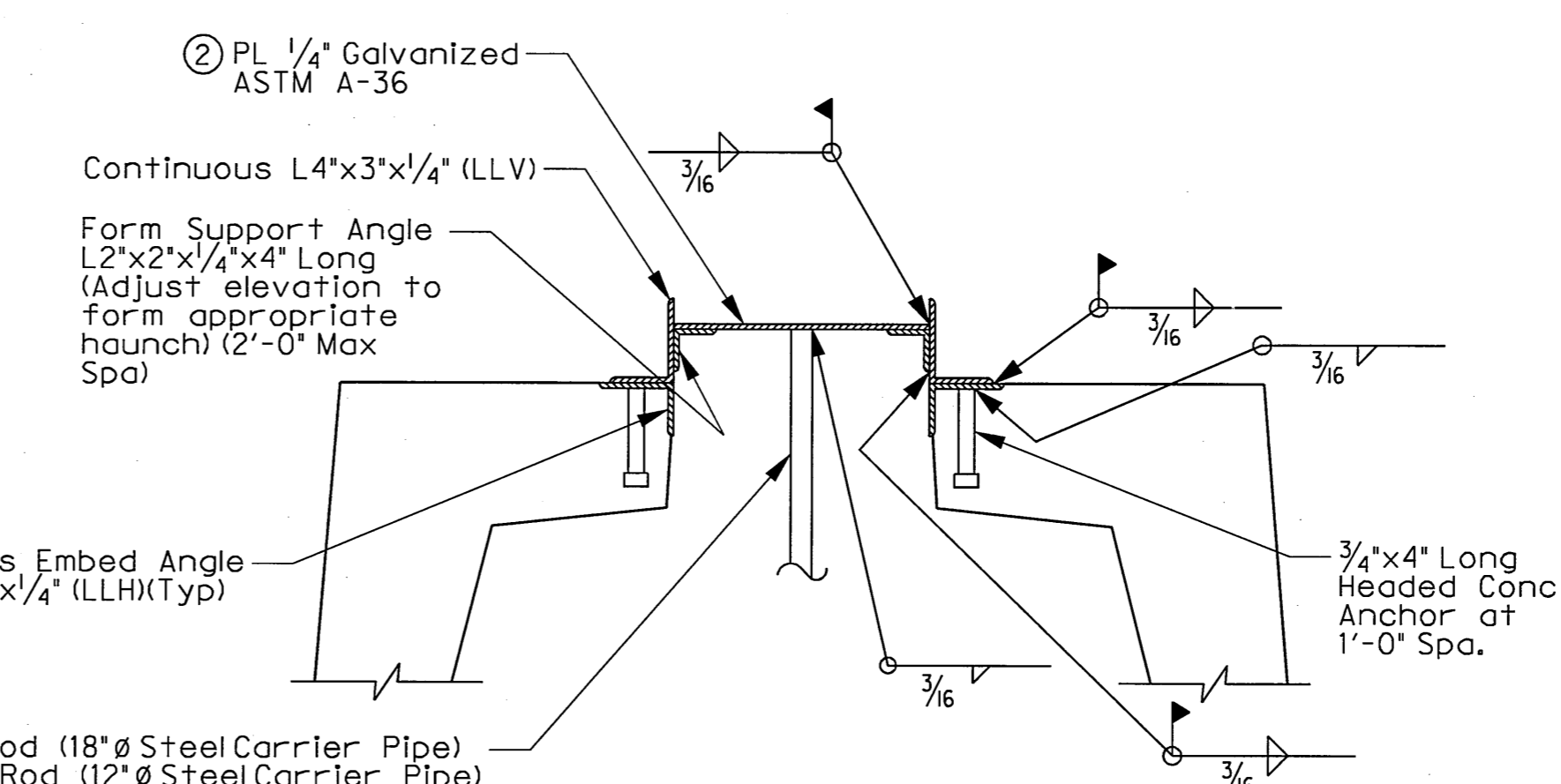


SECTION A-A
 SCALE: 3/8" = 1'-0"

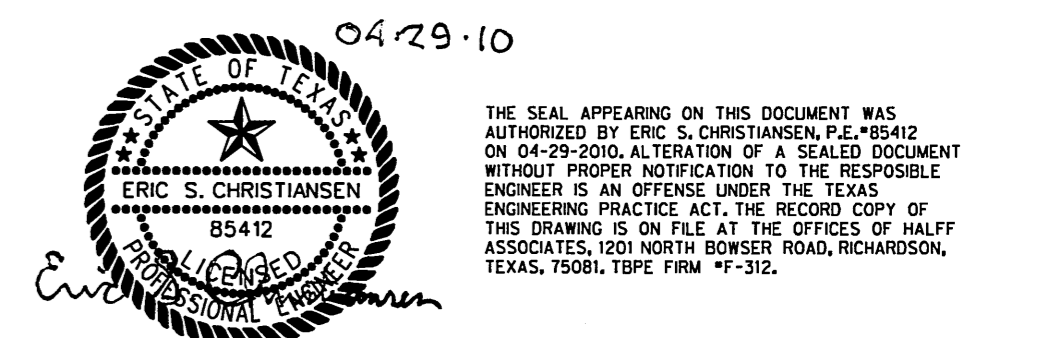
- ① Space bars UP with beam bars R in all areas where measured haunch exceeds 3".
- ② Replace galvanized sheet steel with a 1/4" galvanized steelplate see UBMS standard for galvanized sheet steel detail.
- ③ Copper B-line B3110-18 (18" Ø steel carrier pipe) spaced at 6'-0" Max C.C. Copper B-line B3110-12 (12" Ø steel carrier pipe) spaced at 6'-0" Max C.C. Pipe supports are subsidiary to Steel Pipe Item 442, Misc. Steel.
- ④ See sheet 1 of 2 for table of dimensions.
- ⑤ Leave the bottom 1 inch of post ungalvanized.
- ⑥ 18" Ø steel pipe shall be schedule 40 pipe with 18" O.D. 12" Ø steel pipe shall be schedule 40 with 12" O.D. All steel pipes shall be galvanized.
- ⑦ Use grate Type 4100 or 4120 galvanized steel. The contractor shall submit a sample of the grate prior to installation.
- ⑧ See Drawing No. S1-24 for additional details.



DETAIL A
 SCALE: 3/4" = 1'-0"



DETAIL B
 SCALE: NTS



<p>04-29-10</p> <p>HALFF ASSOCIATES, INC. ENGINEERING</p>					
<p>1201 NORTH BOWSER ROAD, RICHARDSON, TEXAS 75081-2275 TEL (214) 346-6200 FAX (214) 739-0095</p>					
NO.	REVISION	BY	DATE		
<p>ADDISON TOWN OF ADDISON DALLAS COUNTY, TEXAS</p>					
<p>VITRUVIAN PARK BRIDGES PONTE AVENUE</p>					
<p>DECK DETAILS</p>					
PROJECT	DESIGN	DRAWN	DATE	FILE	SHEET
27379	ESC	AHH	APRIL 2010	-	S1-17