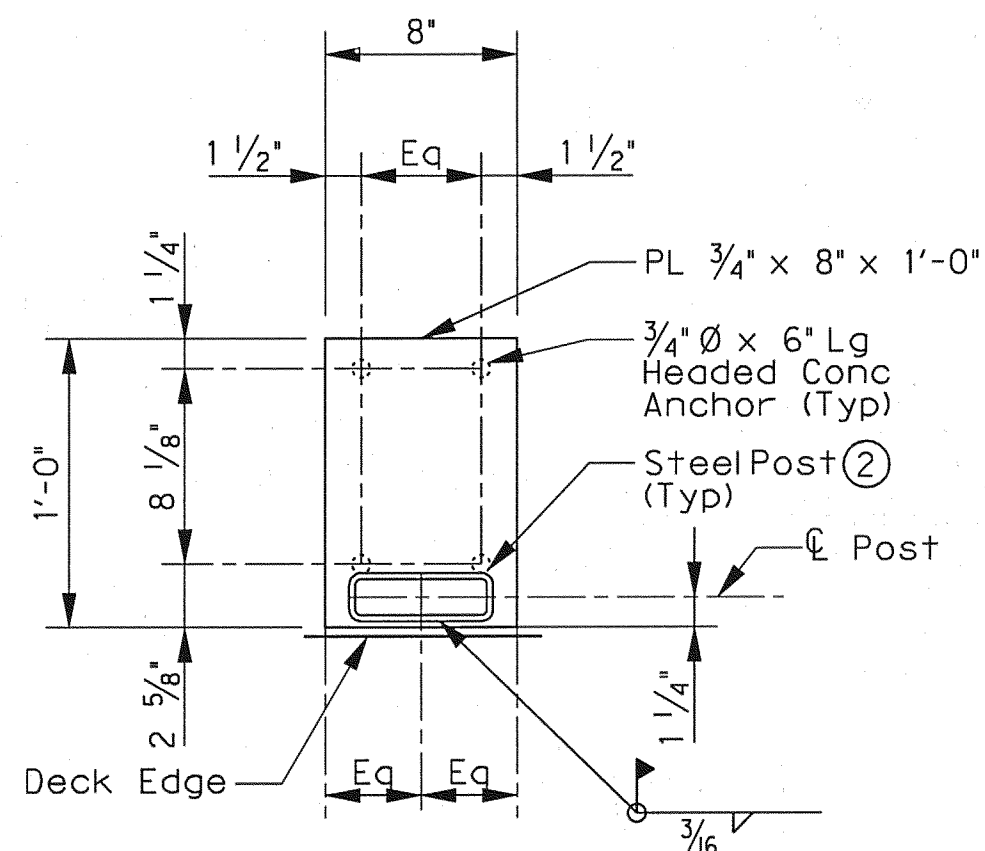


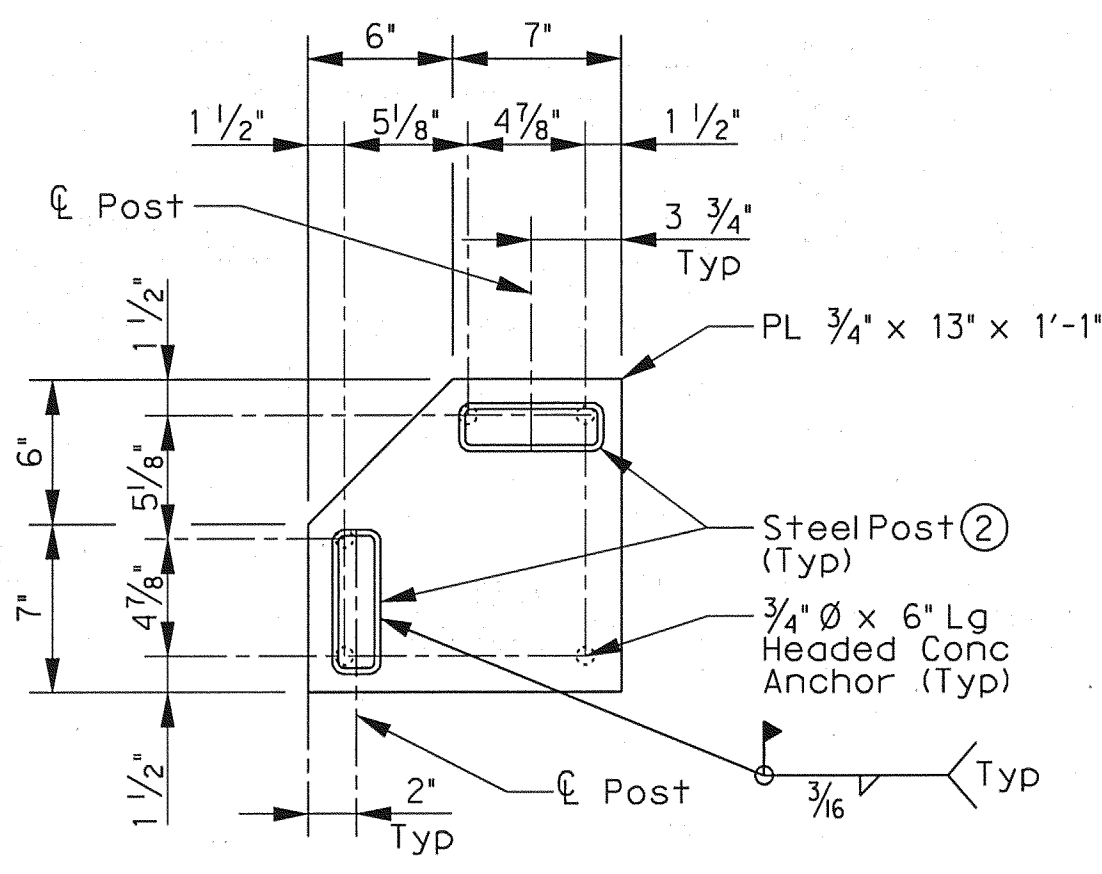
TYPICAL RAIL POST EMBED PLATE DETAIL ①

SCALE: 1 1/2" = 1'-0"



RAIL POST EMBED PLATE AT BRIDGE SEJ DETAIL ①

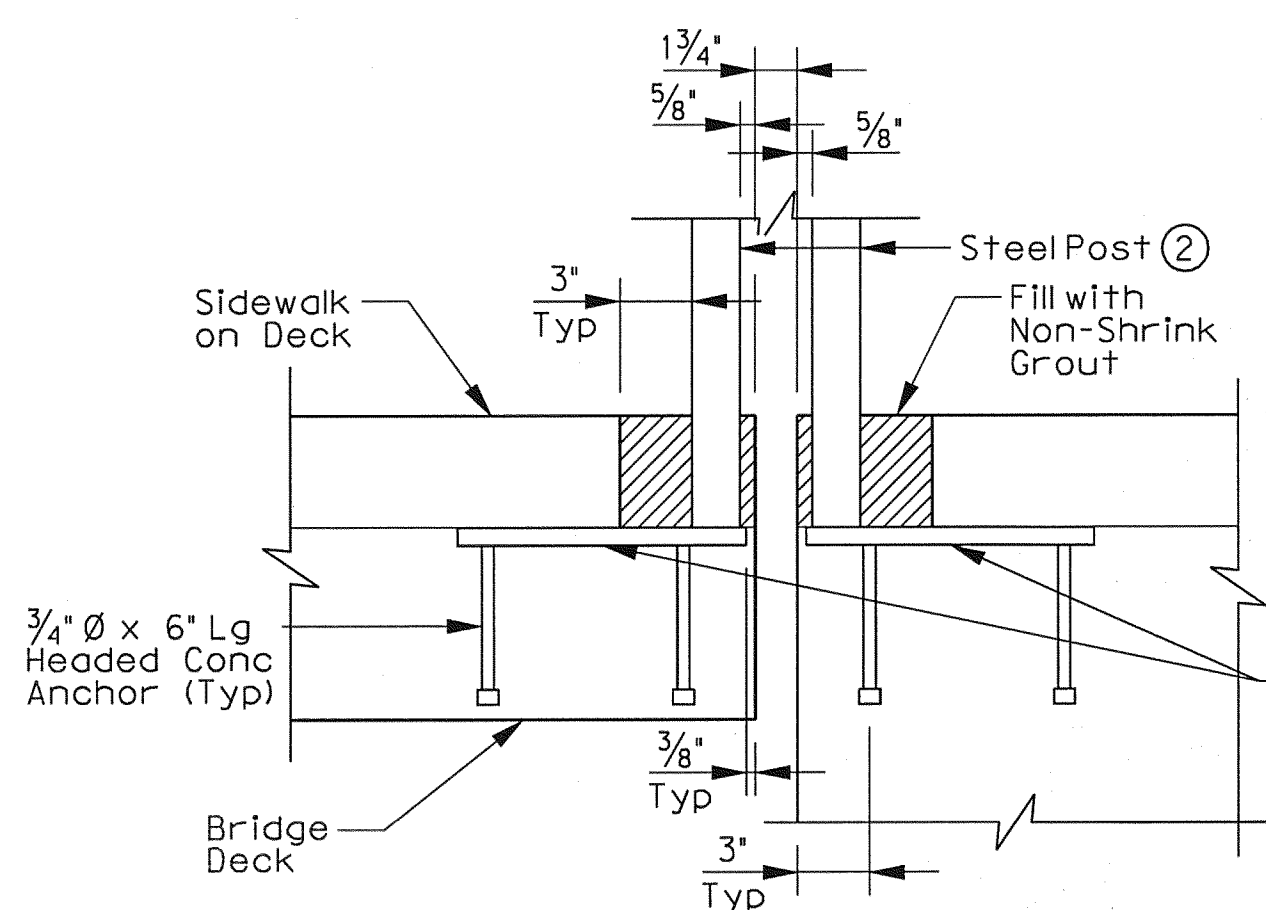
SCALE: 1 1/2" = 1'-0"



RAIL POST EMBED PLATE AT WINGWALL CORNERS DETAIL ①

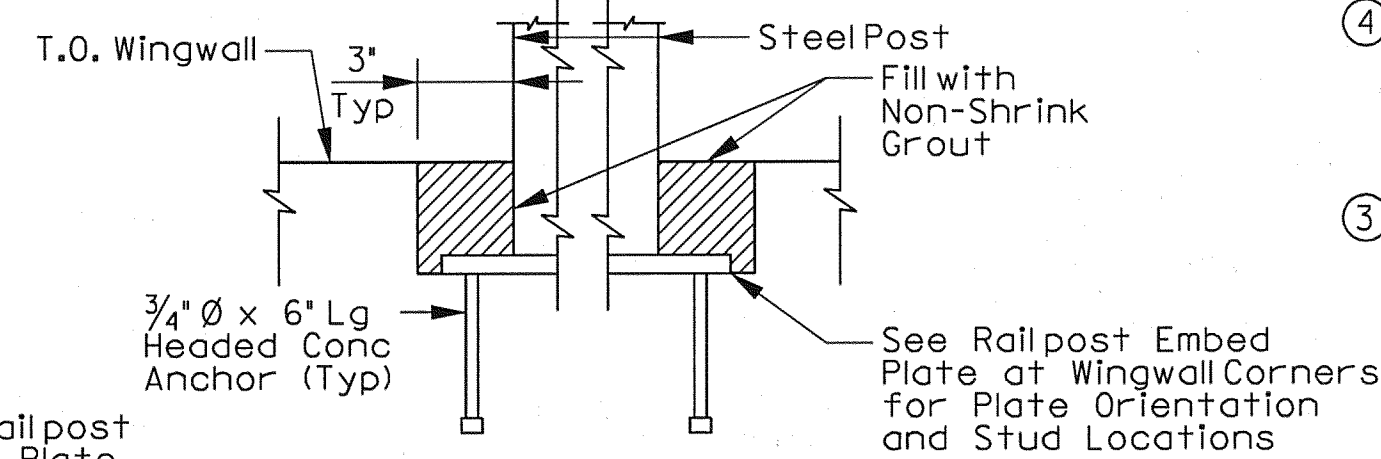
SCALE: 1 1/2" = 1'-0"

- ① Rail embeds are subsidiary to Ped Rail Item.
- ② Leave the bottom one inch of post ungalvanized.



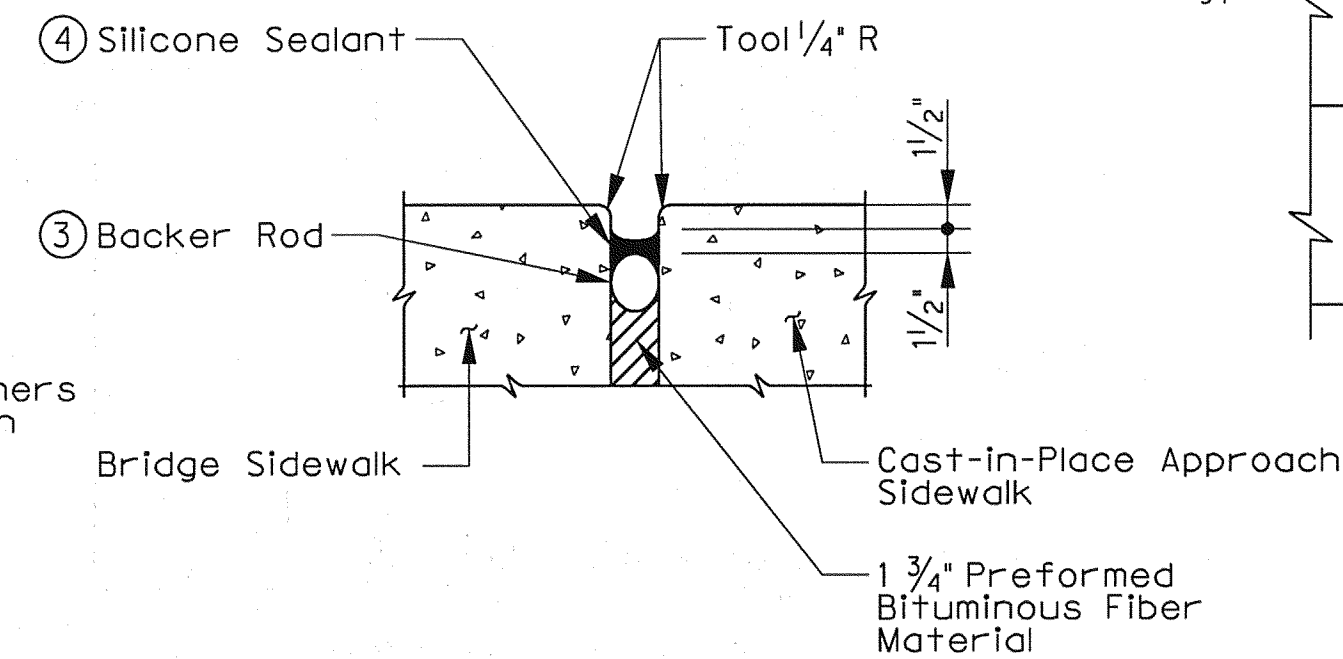
RAIL POST EMBED PLATE AT BRIDGE SEJ SECTION ①

SCALE: 1 1/2" = 1'-0"



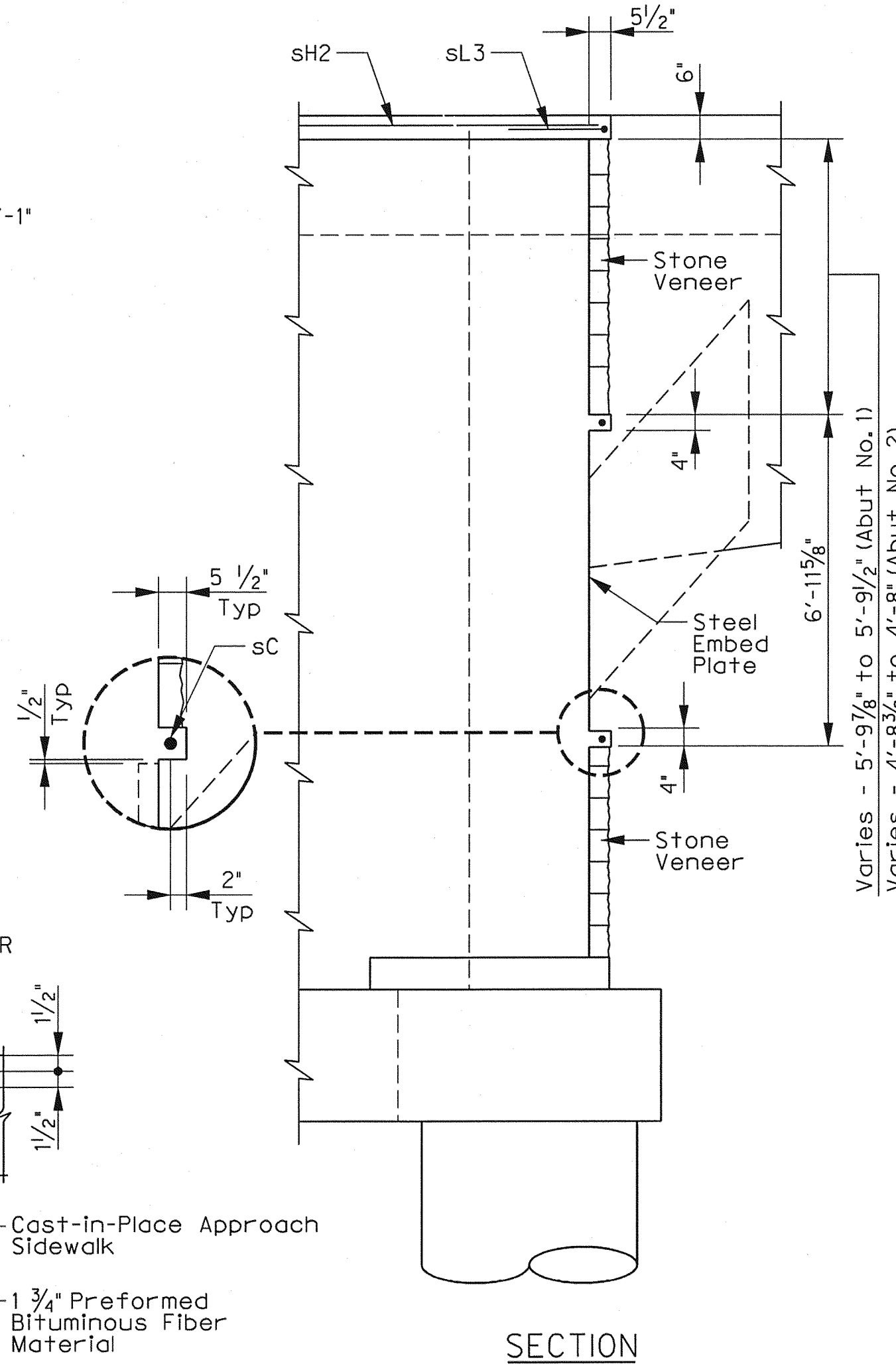
RAIL POST EMBED PLATE AT WINGWALL CORNERS SECTION ①

SCALE: 1 1/2" = 1'-0"



SIDEWALK JOINT DETAIL

SCALE: NTS

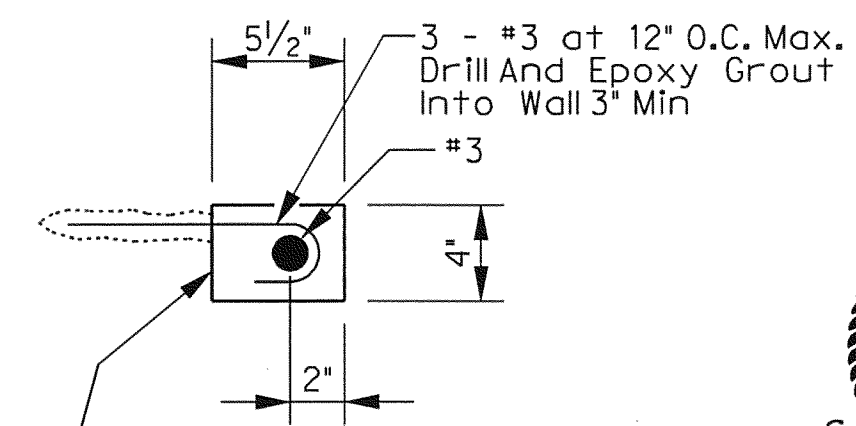


STONE COLLAR DETAILS ⑧

SCALE: 3/8" = 1'-0"

- ⑧ For Abutment details and bar details not shown, see Drawing Nos. SI-05 to SI-14.

- ⑨ Prior to Arch installation a temporary stone support (L5 x 5 x 3/8) shall be used. Install with three 1/2 inch Hilti Quik Bolt 3 expansion anchors embedded 3/2 inch min. Coordinate removal of stone veneer and temporary stone support with steel arch erector. Replace the temporary stone ledge with precast ledge after arch has been installed.



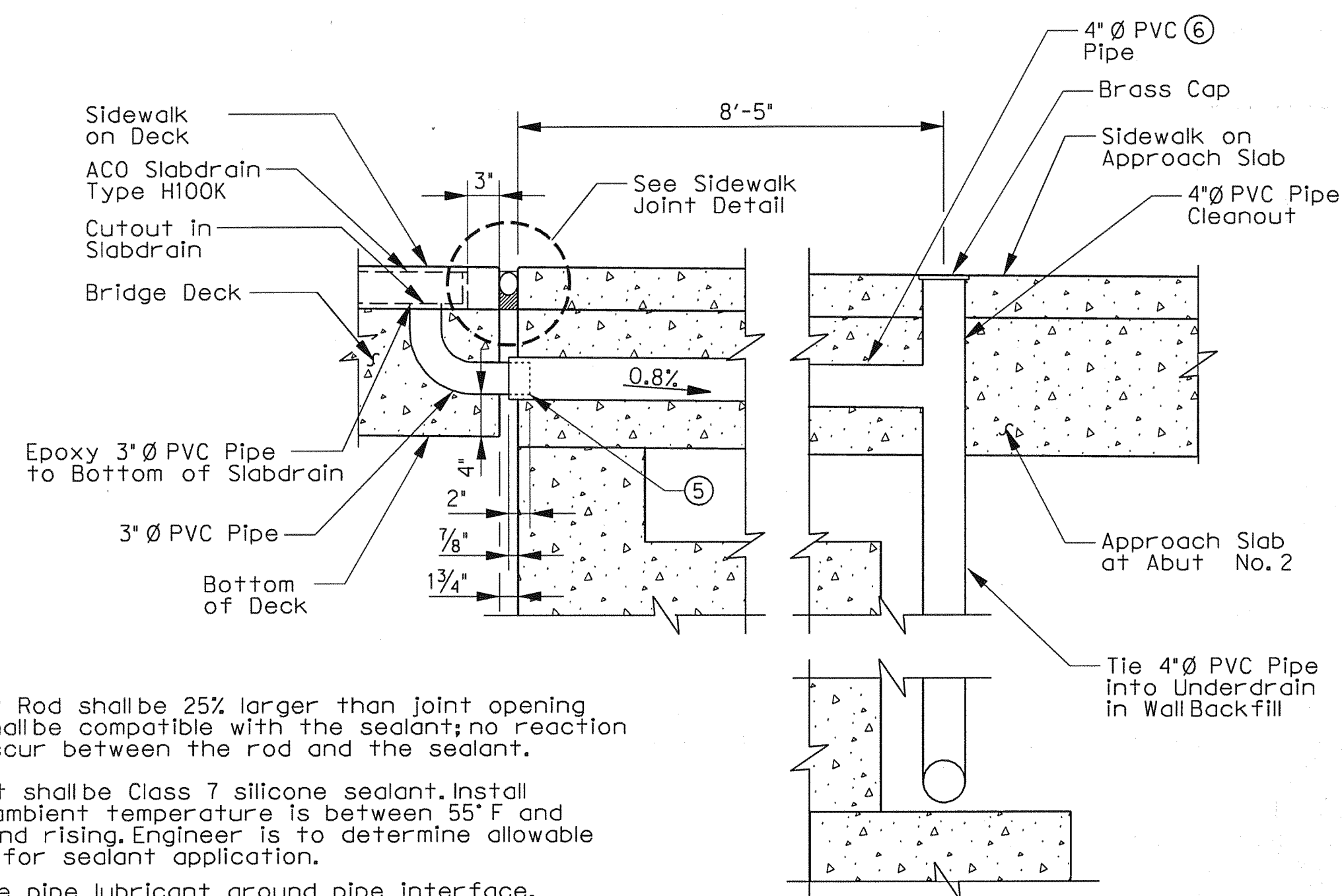
PRECAST LEDGE DETAIL

SCALE: NTS



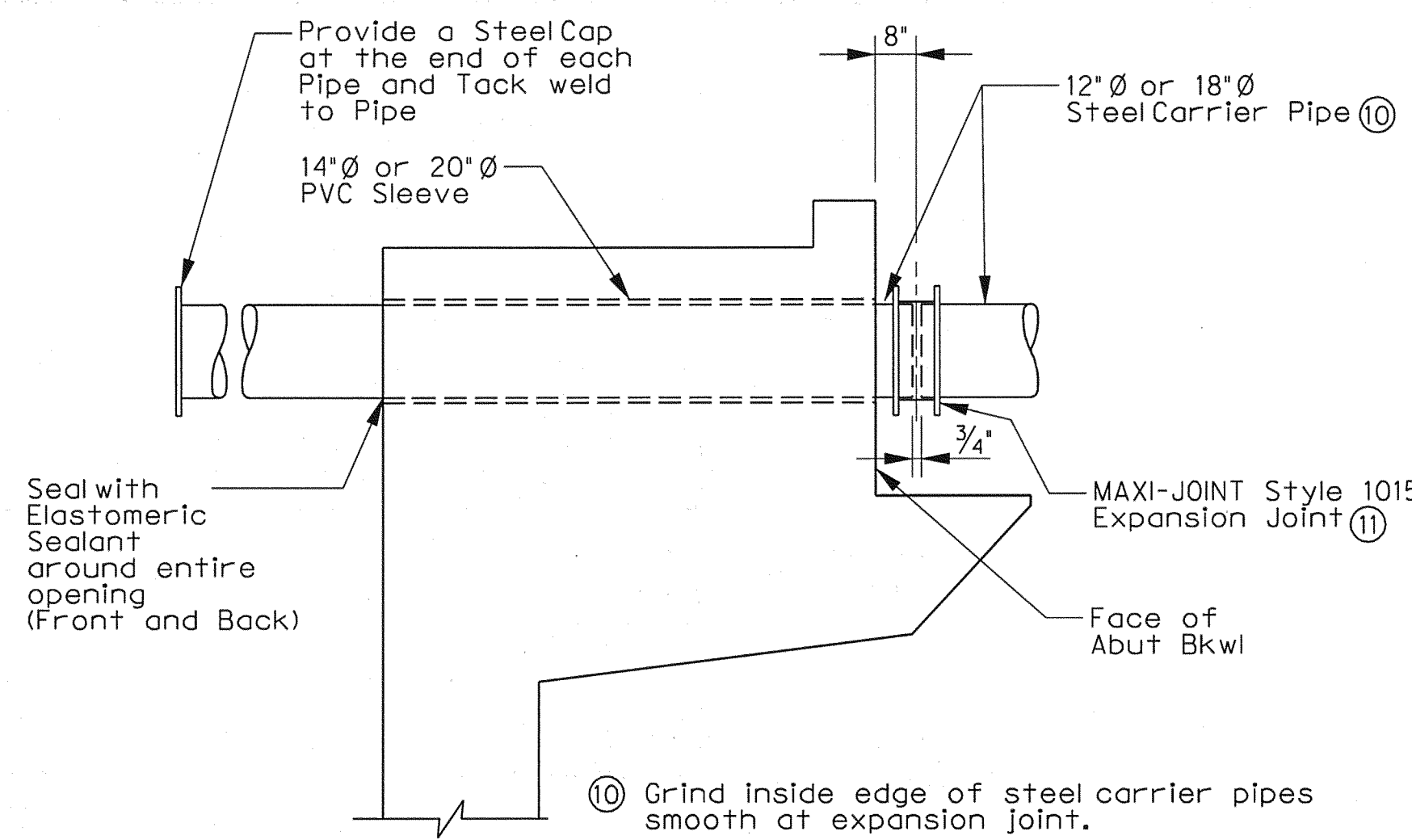
THE SEAL APPEARING ON THIS DOCUMENT WAS AUTHORIZED BY ERIC S. CHRISTIANSEN, P.E. #5412 ON 04-29-2010. ALTERATION OF A SEALED DOCUMENT WITHOUT PROPER NOTIFICATION TO THE RESPONSIBLE ENGINEER IS AN OFFENSE UNDER THE TEXAS ENGINEERING PRACTICE ACT. THE RECORD COPY OF THIS DRAWING IS ON FILE AT THE OFFICES OF HALFF ASSOCIATES, 1201 NORTH BOWSER ROAD, RICHARDSON, TEXAS, 75081. TYPE FIRM #F-312.

- ③ Backer Rod shall be 25% larger than joint opening and shall be compatible with the sealant; no reaction shall occur between the rod and the sealant.
- ④ Sealant shall be Class 7 silicone sealant. Install when ambient temperature is between 55° F and 85° F and rising. Engineer is to determine allowable hours for sealant application.
- ⑤ Provide pipe lubricant around pipe interface.
- ⑥ Provide bends in PVC pipe where necessary to avoid thickened wingwall. See Sheet SI-14 for quantity of drain pipe.
- ⑦ Drain located in both sidewalks at Abut No. 2.



DRAIN DETAIL

SCALE: NTS



STEEL PIPE EMBED AND EXPANSION JOINT DETAIL

SCALE: NTS

- ⑩ Grind inside edge of steel carrier pipes smooth at expansion joint.
- ⑪ Provide Maxi-Joint sizes with corresponding 12" and 18" diameter steel pipes. Locate at both abutments.

NO.	REVISION	BY	DATE
TOWN OF ADDISON DALLAS COUNTY, TEXAS VITRUVIAN PARK BRIDGES PONTE AVENUE MISCELLANEOUS DETAILS			
1201 NORTH BOWSER ROAD, RICHARDSON, TEXAS 75081-2275 TEL (214) 346-6200 FAX (214) 739-0095			
PROJECT	DESIGN	DRAWN	DATE
27379	ESC	AHH	APRIL 2010
FILE	SHEET		
-	S1-18		