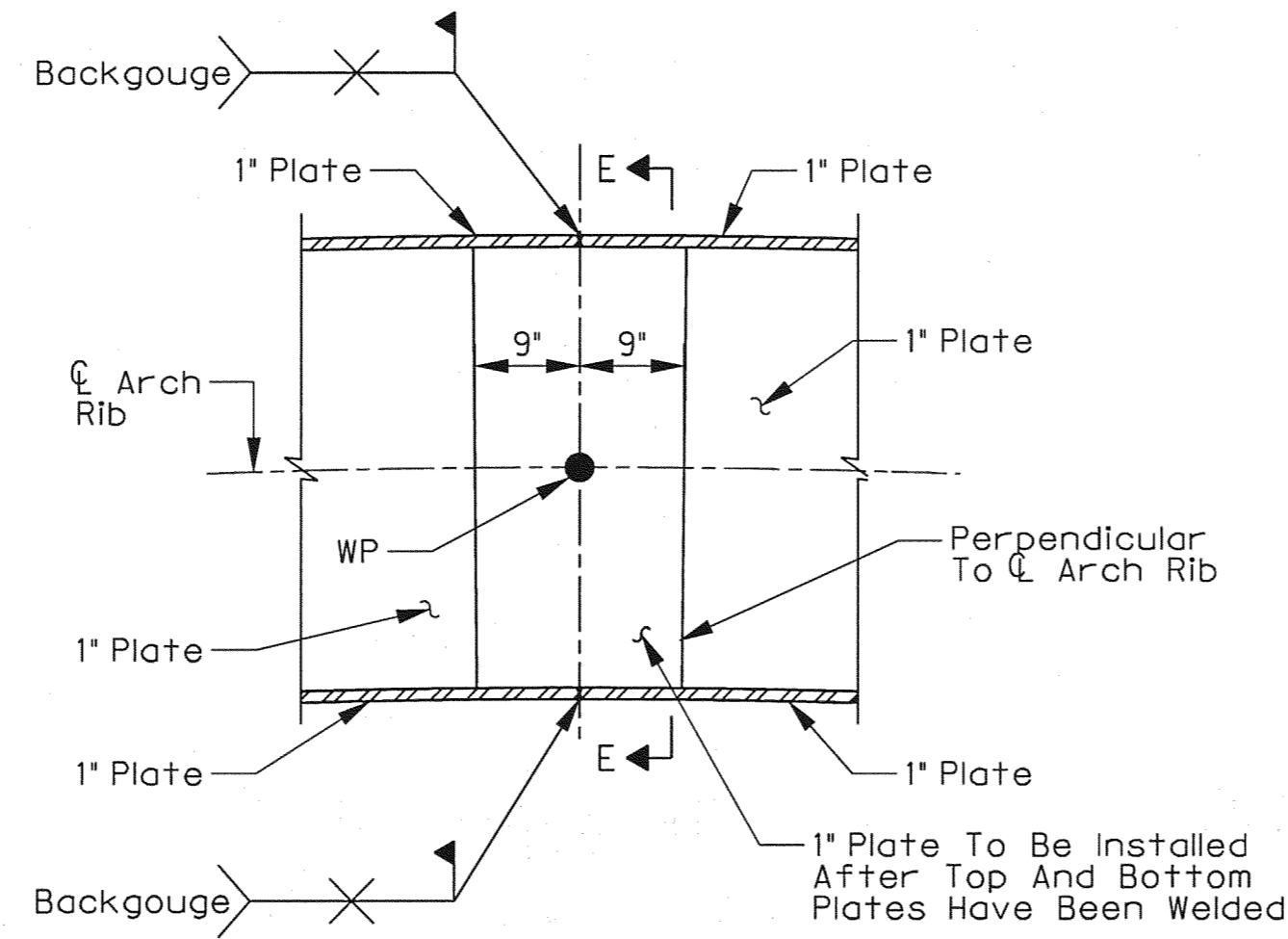


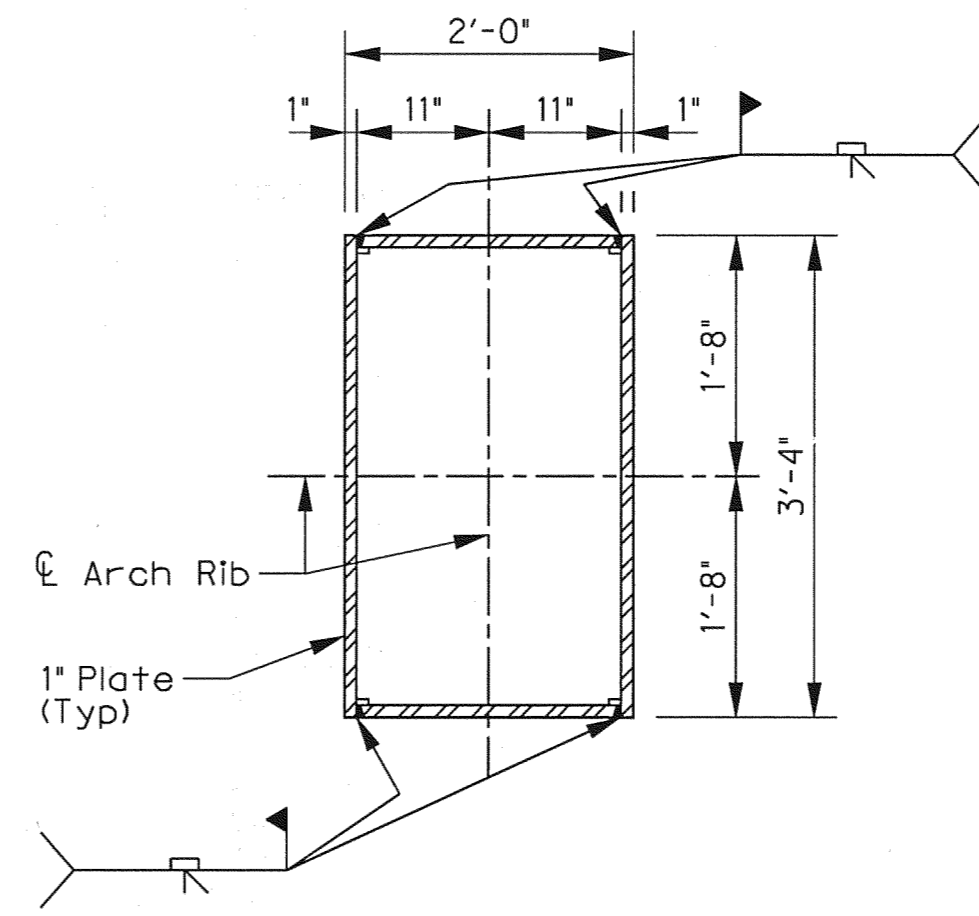
SECTION THROUGH ARCH RIB

SCALE: 3/4" = 1'-0"



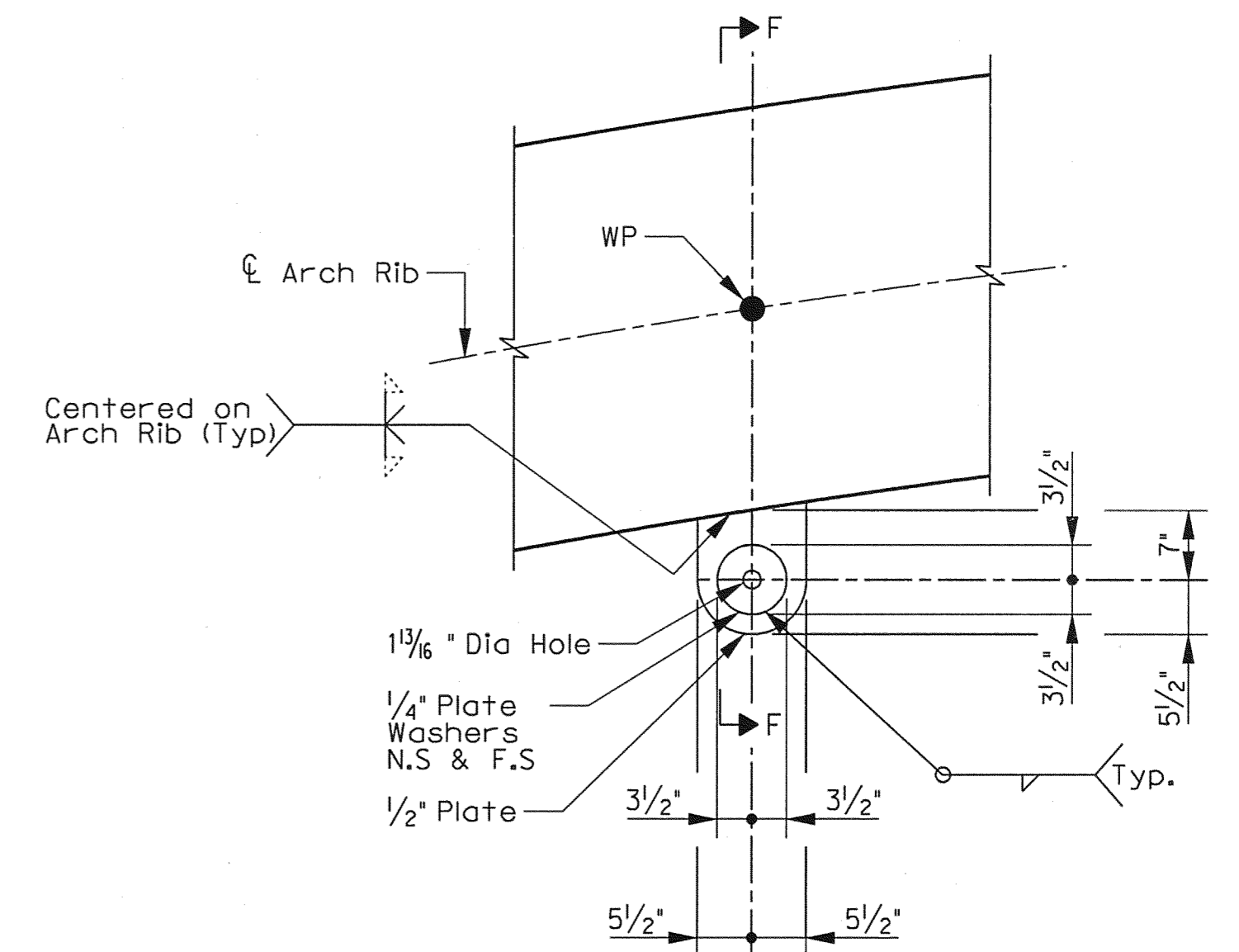
FIELD SPLICE

SCALE: 3/4" = 1'-0"



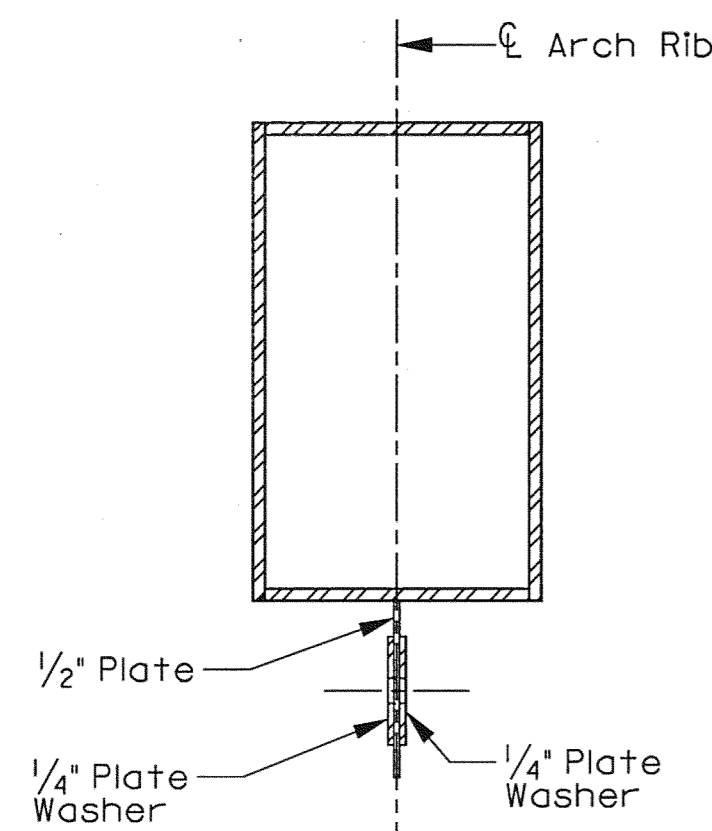
SECTION E-E

SCALE: 3/4" = 1'-0"



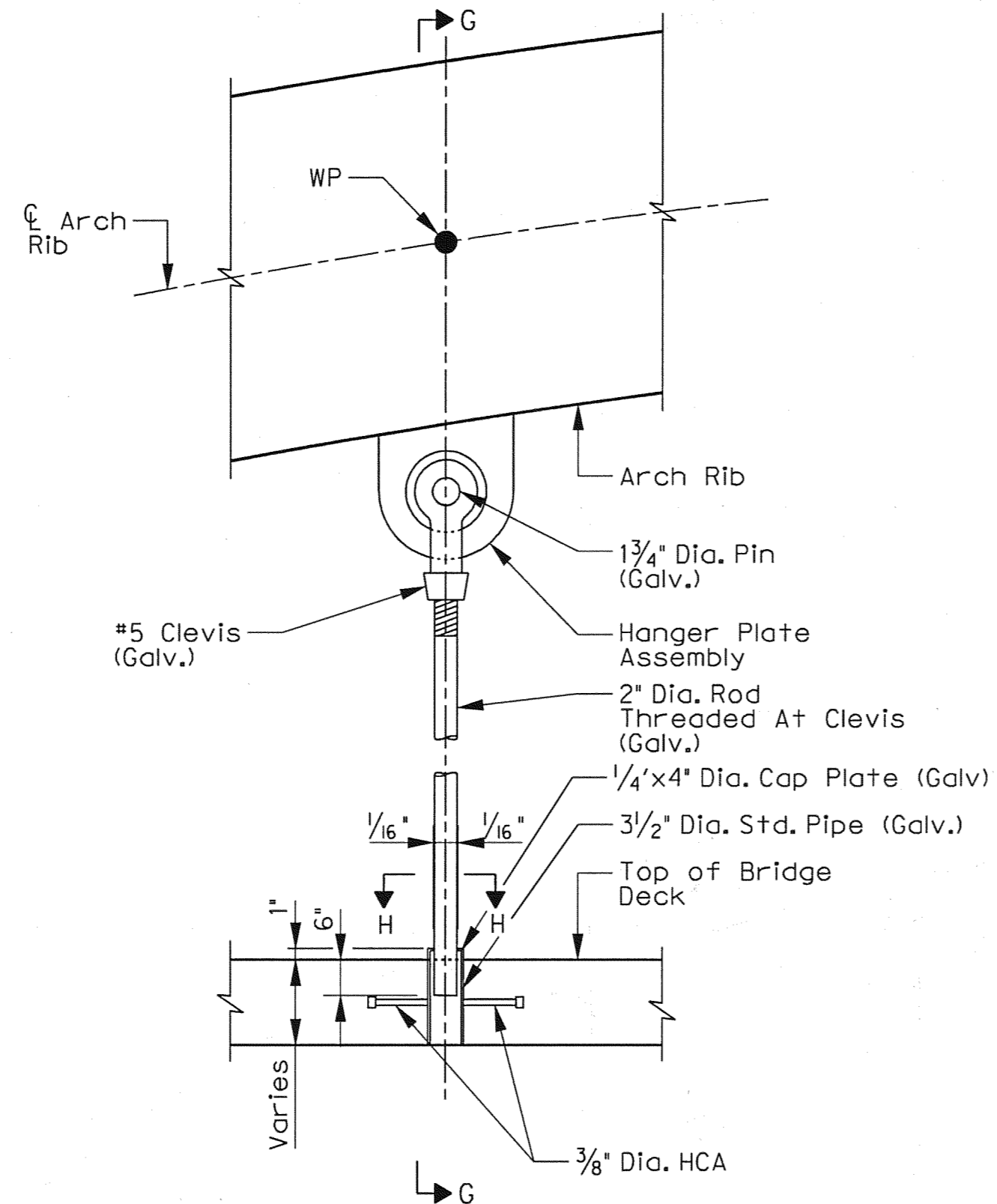
HANGER PLATE ASSEMBLY

SCALE: 3/4" = 1'-0"



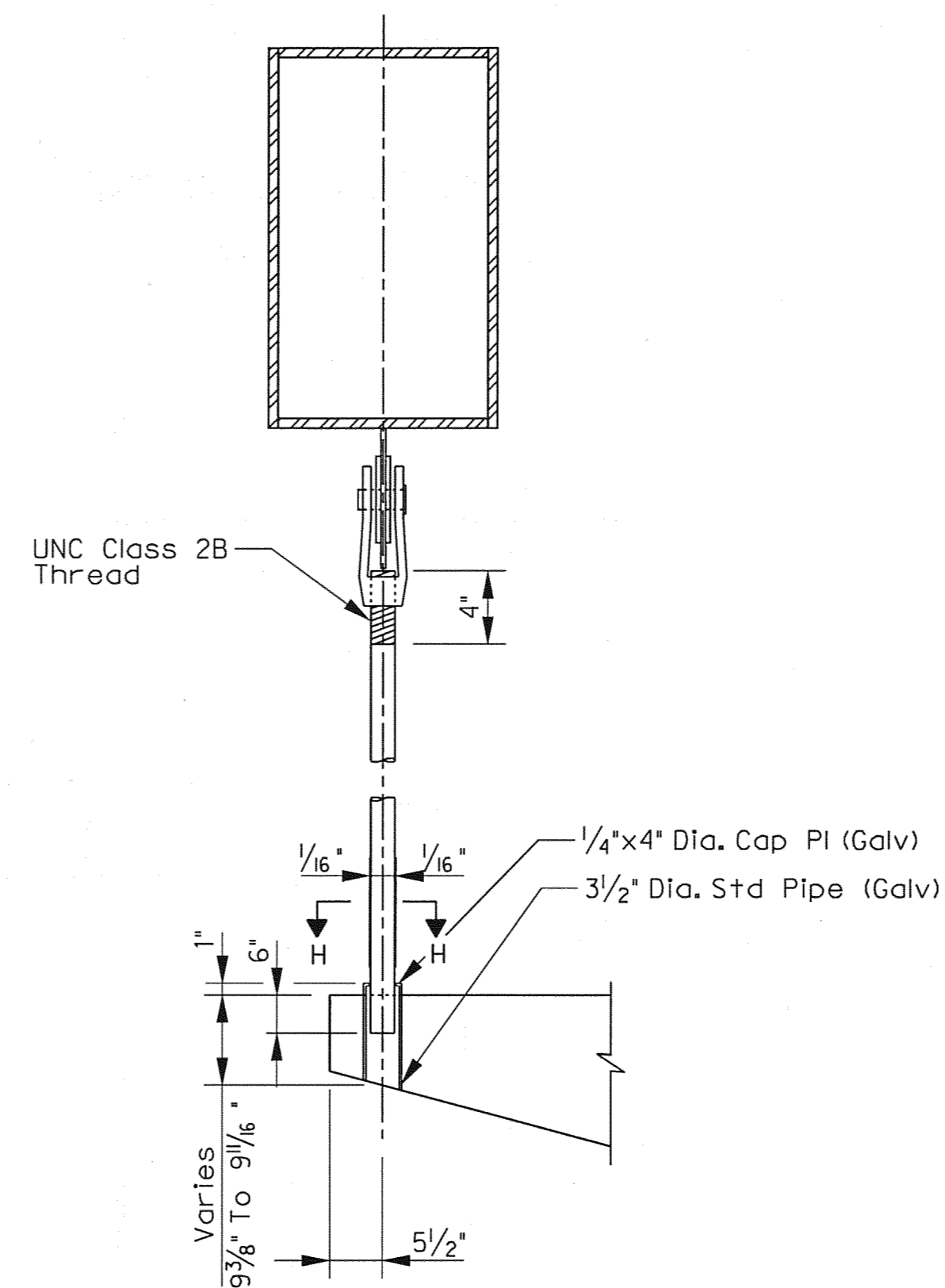
SECTION F-F

SCALE: 3/4" = 1'-0"



ROD HANGER ASSEMBLY

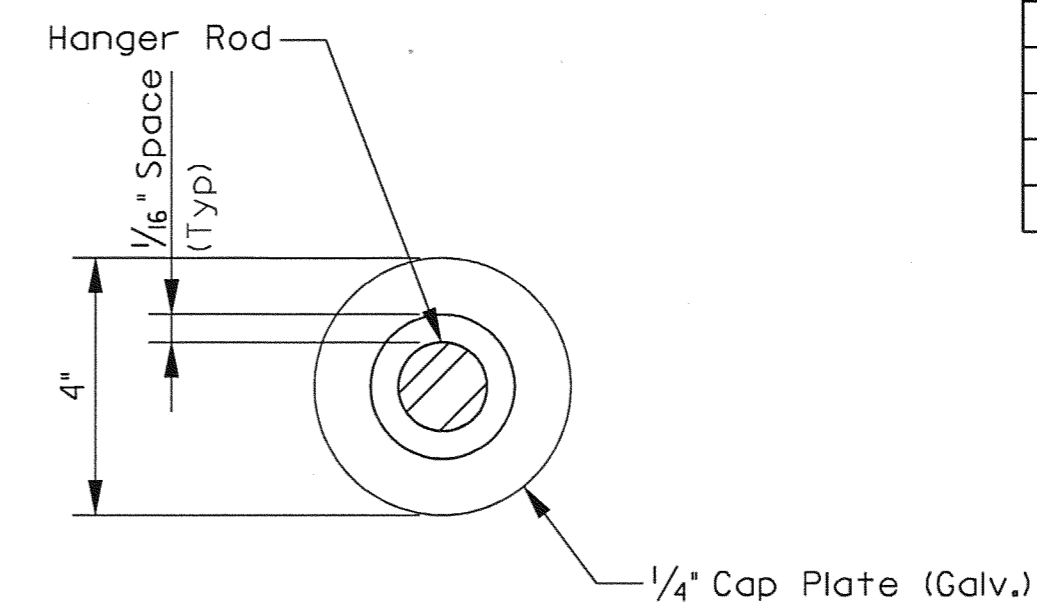
SCALE: 3/4" = 1'-0"



SECTION G-G

SCALE: 3/4" = 1'-0"

Note: Coordinate thread requirements with Clevis manufacturer.



SECTION H-H

SCALE: N.T.S.

Hanger	Quantity	Length (Feet)
1	2	8'-1 1/2"
2	2	17'-0"
3	2	23'-4 1/2"
4	2	27'-2 1/2"
5	2	28'-7"
6	2	27'-5"
7	2	23'-9"
8	2	17'-7"
9	2	8'-11 1/4"

HANGER LENGTHS



THE SEAL APPEARING ON THIS DOCUMENT WAS AUTHORIZED BY ERIC S. CHRISTENSEN, P.E. #5412 ON 04-29-2010. ALTERATION OF A SEALED DOCUMENT WITHOUT PROPER NOTIFICATION TO THE RESPONSIBLE ENGINEER IS AN OFFENSE UNDER THE TEXAS ENGINEERING PRACTICE ACT. THE RECORD COPY OF THIS DRAWING IS ON FILE AT THE OFFICES OF HALFF ASSOCIATES, 1201 NORTH BOWSER ROAD, RICHARDSON, TEXAS, 75081. TBPE FIRM #F-312.

NO.	REVISION	BY	DATE
TOWN OF ADDISON DALLAS COUNTY, TEXAS VITRUVIAN PARK BRIDGES PONTE AVENUE ARCH DETAILS SECTIONS AND DETAILS			
1201 NORTH BOWSER ROAD, RICHARDSON, TEXAS 75081-2275 TEL (214) 346-6200 FAX (214) 739-0095			
PROJECT	DESIGN	DRAWN	DATE
27379	ESC	AHH	APRIL 2010
FILE	SHEET		
-	S1-24		