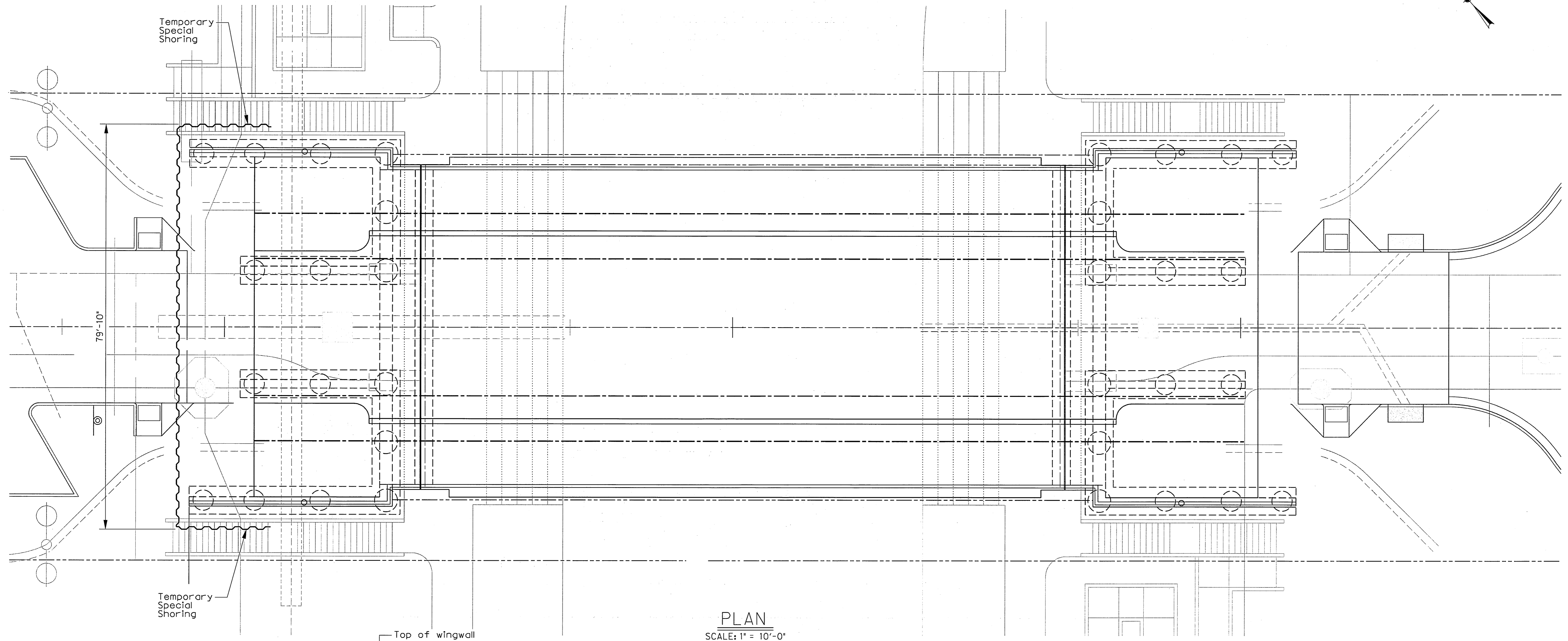
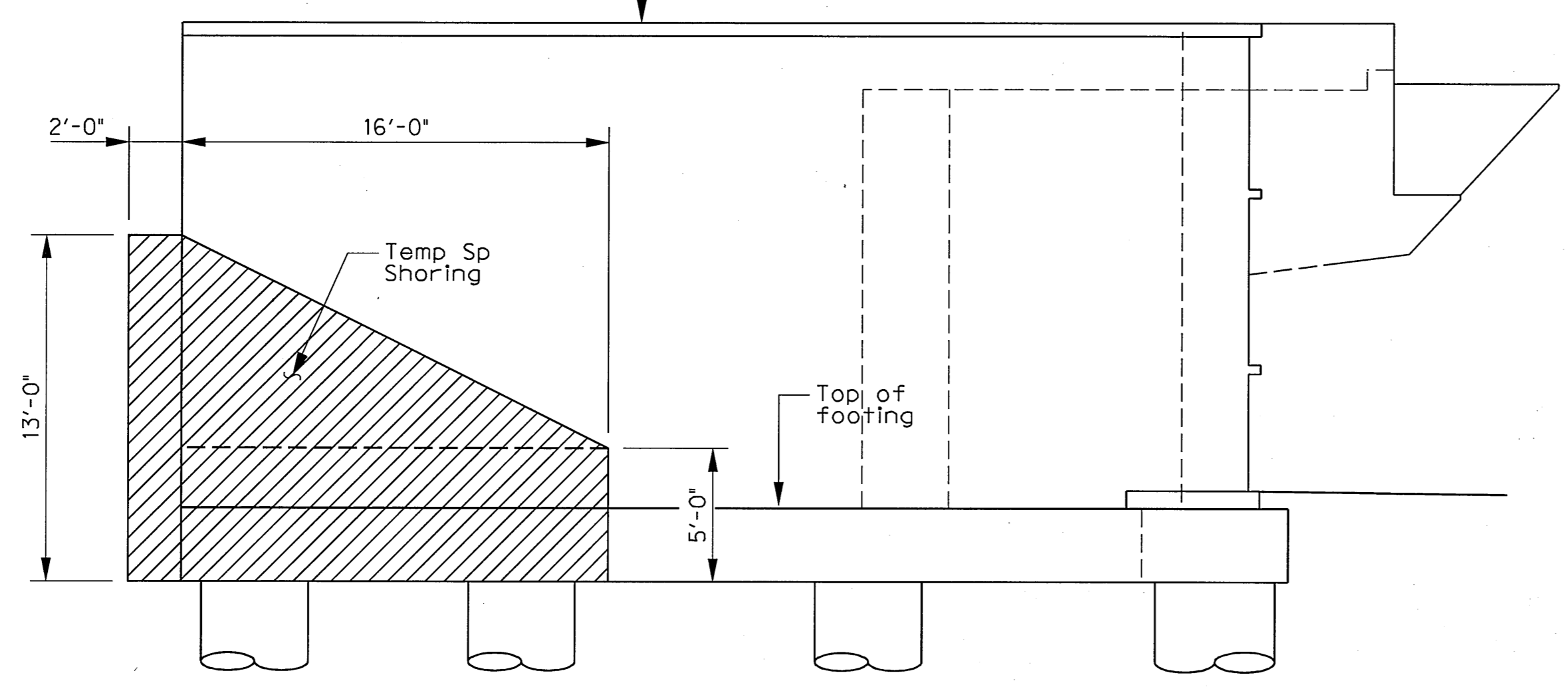


DATE: 4/29/2010 TIME: 3:11:52 PM FILE: 27379-SC-PONTEB-TS01.dgn PROJECT # 27379 OFFICE: RCH USER: dh2441

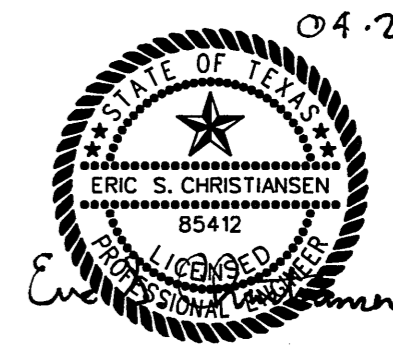


PLAN
SCALE: 1" = 10'-0"



LIMITS OF TEMPORARY SPECIAL SHORING
SCALE: NTS

Note: Dimensions shown are for quantify calculations only. Actual dimensions may vary.



04-29-10

THE SEAL APPEARING ON THIS DOCUMENT WAS AUTHORIZED BY ERIC S. CHRISTIANSEN, P.E. #85412 ON 04-29-2010. ALTERATION OF A SEALED DOCUMENT WITHOUT PROPER NOTIFICATION TO THE RESPONSIBLE ENGINEER IS AN OFFENSE UNDER THE TEXAS ENGINEERING PRACTICES ACT. THE RECORD COPY OF THIS DRAWING IS ON FILE AT THE OFFICES OF HALFF ASSOCIATES, 1201 NORTH BOWSER ROAD, RICHARDSON, TEXAS 75081. TPE, FIRM #F-312.

NO.	REVISION	BY	DATE
TOWN OF ADDISON DALLAS COUNTY, TEXAS VITRUVIAN PARK BRIDGES PONTE AVENUE BRIDGE LAYOUT TEMPORARY SPECIAL SHORING 1201 NORTH BOWSER ROAD, RICHARDSON, TEXAS 75081-2275 TEL (214) 346-6200 FAX (214) 738-0095			
PROJECT	DESIGN	DRAWN	DATE
27379	ESC	AHH	APRIL 2010
FILE	SHEET		
-	S1-25		