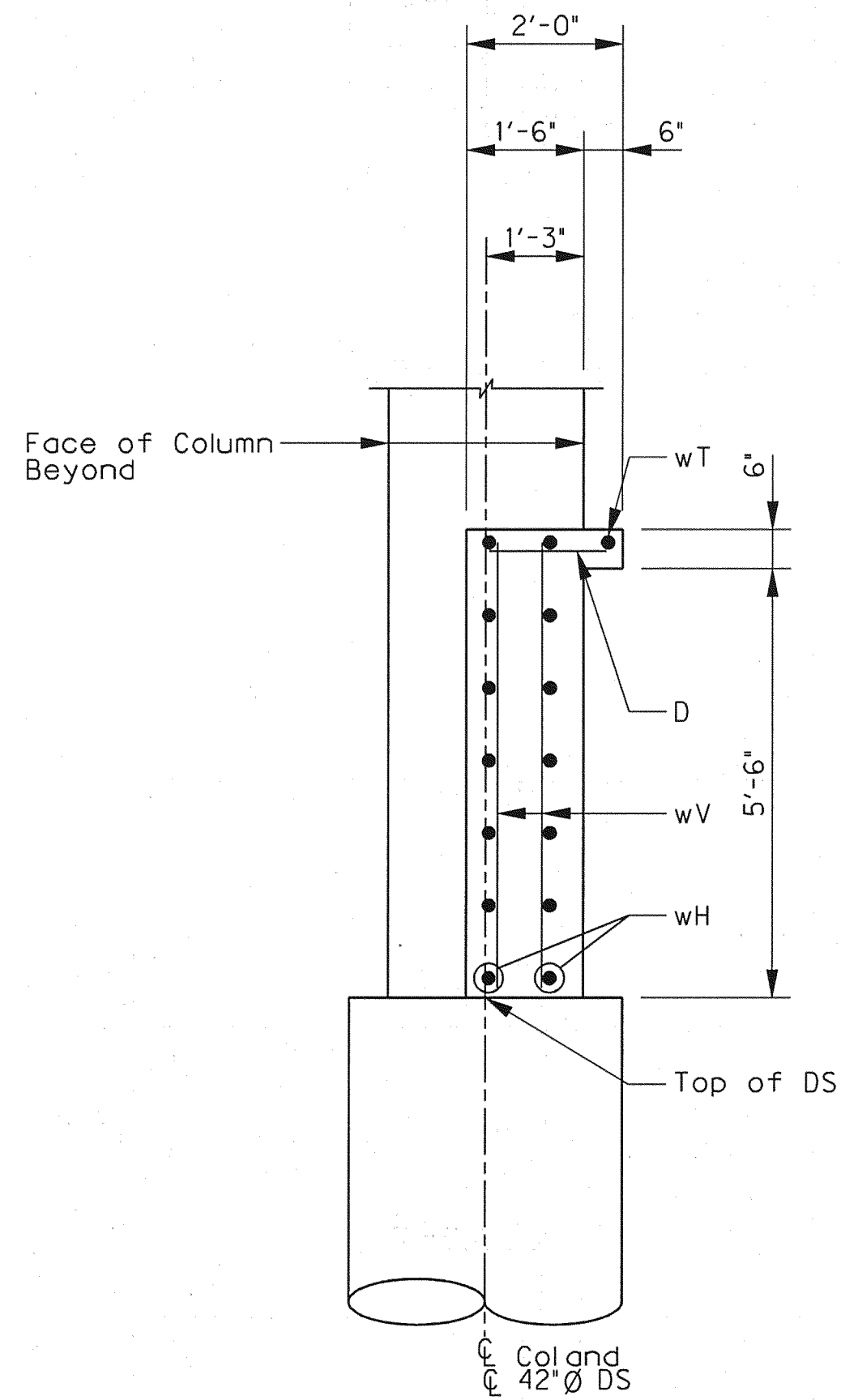
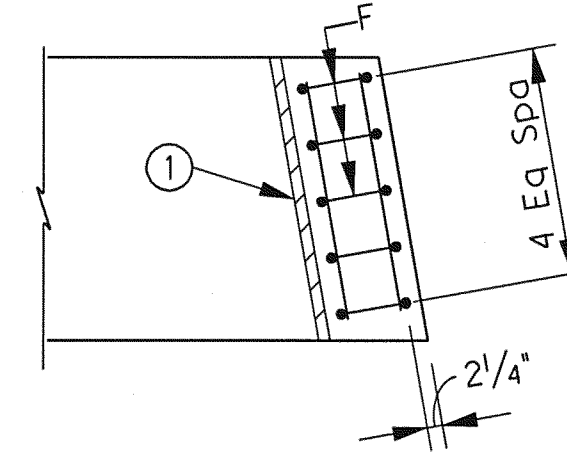


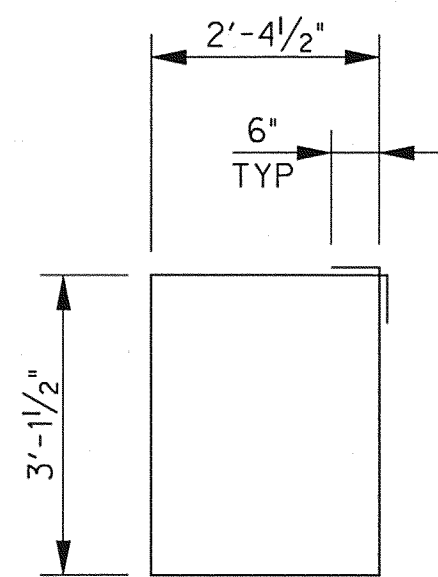
SECTION A-A  
SCALE: 1/2" = 1'-0"



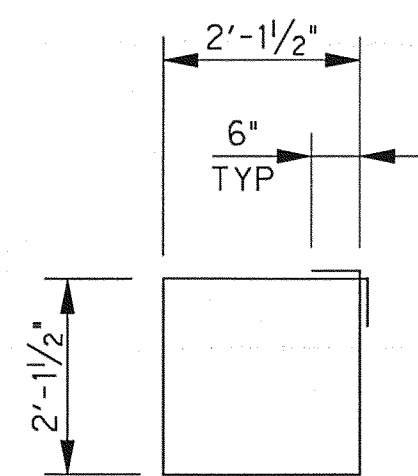
SECTION B-B  
SCALE: 1/2" = 1'-0"



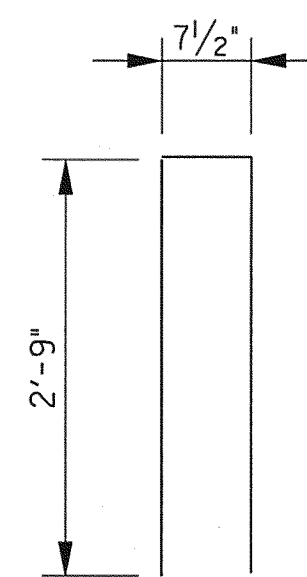
EARWALL PLAN 2



BARS S



BARS Z

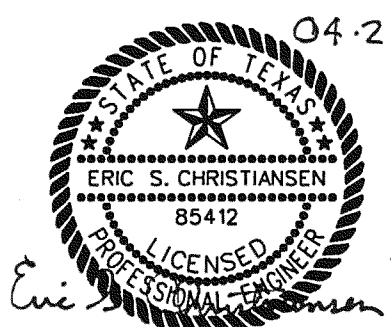


BARS F

- ① 1/2" Preformed Bituminous Fiber material between box beam and earwall. Bond to beam with an approved adhesive. Inside face of earwall to be cast with vertical side of beam
- ② Do not cast earwalls until beams are erected in their final position.

CONTROL ELEVATIONS

Bent	Station	Top of Cap					Top of Columns			
		Elev A	Elev B	Elev C	Elev D	Elev E	Col A	Col B	Col C	Col D
2	28+89.29	559.23	558.66	559.22	558.75	559.31	555.27	555.62	555.52	555.22
3	29+60.17	558.66	558.10	558.66	558.18	558.74	554.71	555.05	554.95	554.65



THE SEAL APPEARING ON THIS DOCUMENT WAS AUTHORIZED BY ERIC S. CHRISTIANSEN, P.E. #5412 ON 04-29-2010. ALTERATION OF A SEALED DOCUMENT WITHOUT PROPER NOTIFICATION TO THE RESPONSIBLE ENGINEER IS AN OFFENSE UNDER THE TEXAS ENGINEERING PRACTICE ACT. THE RECORD COPY OF THIS DRAWING IS ON FILE AT THE OFFICES OF HALFF ASSOCIATES, 1201 NORTH BOWSER ROAD, RICHARDSON, TEXAS, 75081. TBPE FIRM #F-312.

NO.	REVISION	BY	DATE
TOWN OF ADDISON DALLAS COUNTY, TEXAS VITRUVIAN PARK BRIDGES BELLA LANE BENT No. 2 & 3 DETAILS			
1201 NORTH BOWSER ROAD, RICHARDSON, TEXAS 75081-2275 TEL (214) 346-6200 FAX (214) 738-0095		PROJECT	DESIGN
27379	ESC	AHH	APRIL 2010
FILE	SHEET		
-	S2-09		