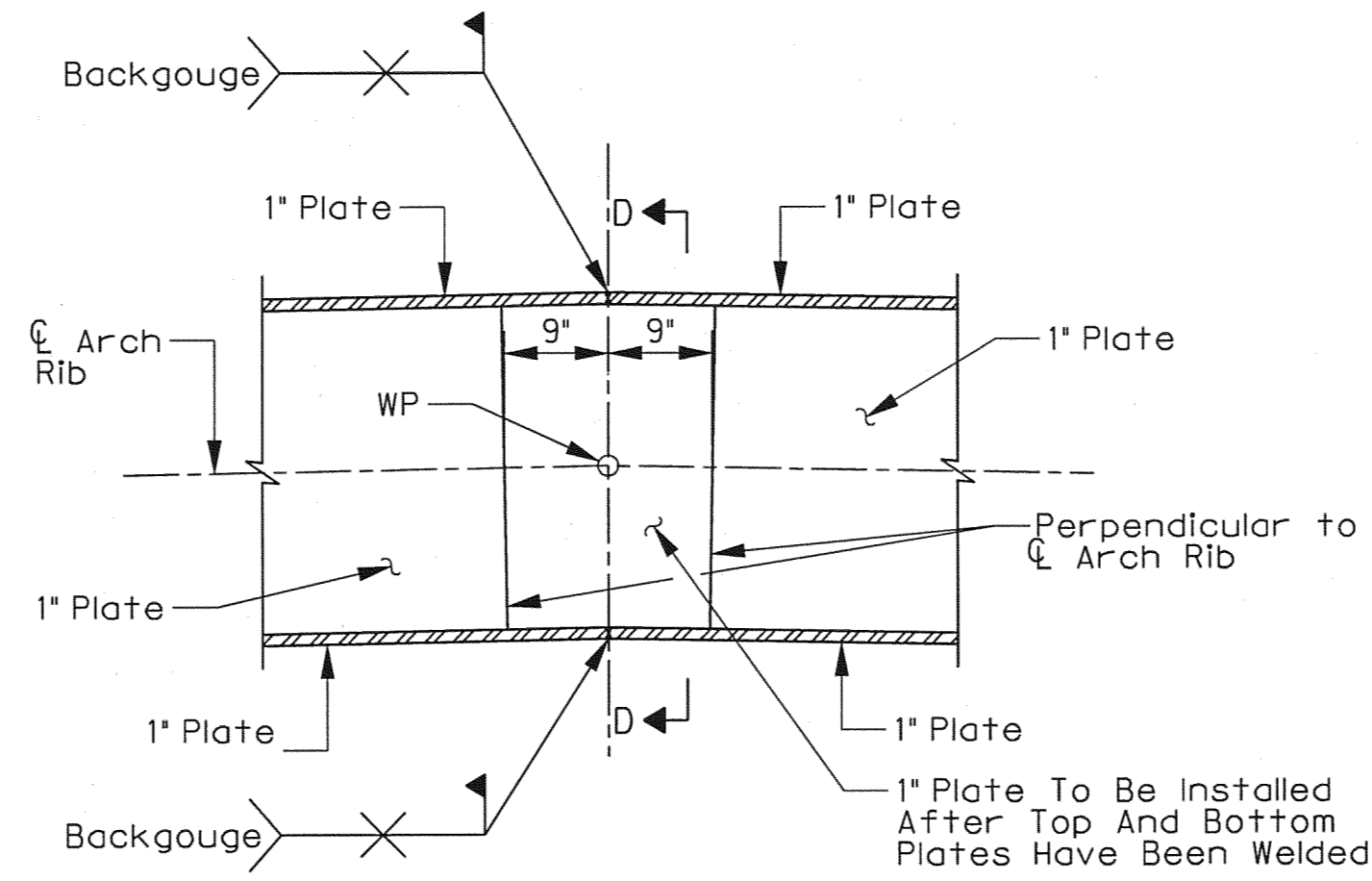
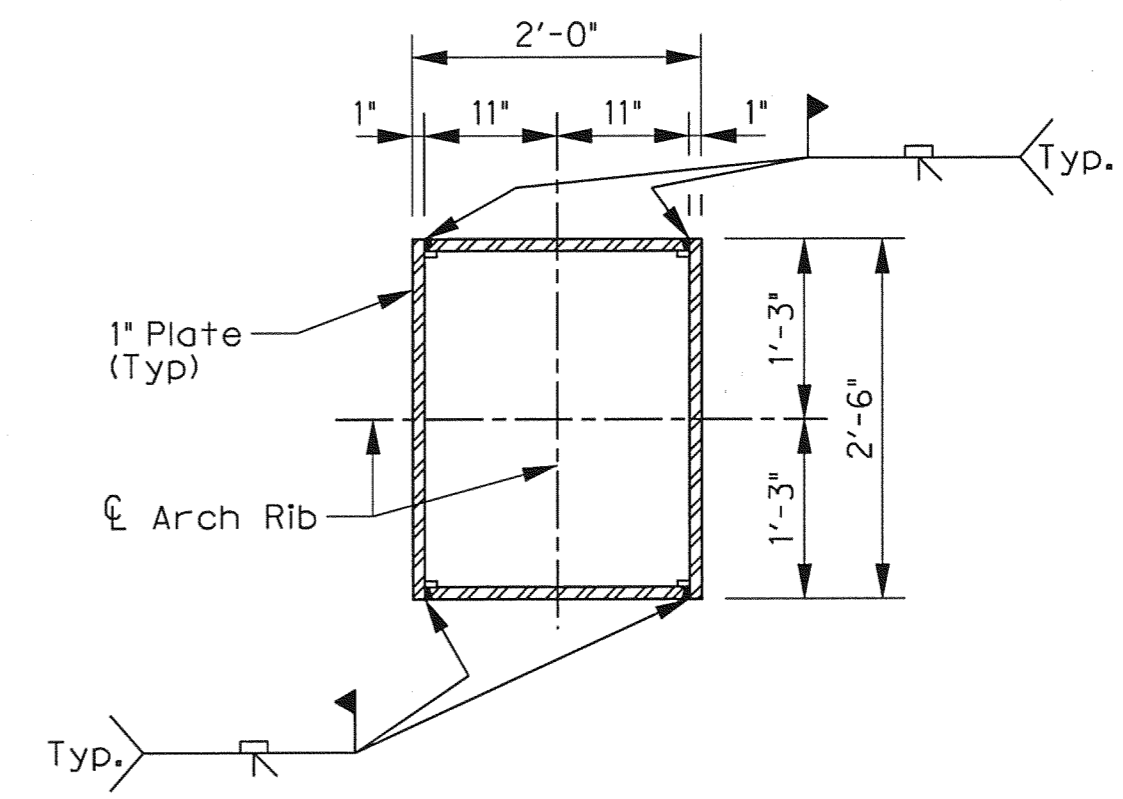


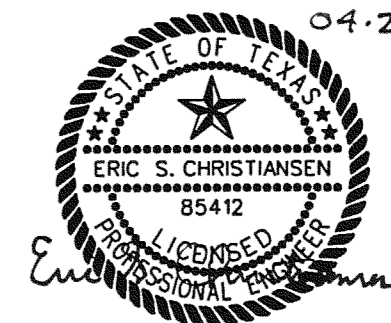
SECTION THROUGH ARCH RIB
SCALE: 3/4" = 1'-0"



FIELD SPLICE
SCALE: 3/4" = 1'-0"



SECTION D-D
SCALE: 3/4" = 1'-0"



04.29.10

THE SEAL APPEARING ON THIS DOCUMENT WAS AUTHORIZED BY ERIC S. CHRISTIANSEN, P.E. 85412 ON 04-29-2010. ALTERATION OF A SEALED DOCUMENT WITHOUT PROPER NOTIFICATION TO THE RESPONSIBLE ENGINEER IS AN OFFENSE UNDER THE TEXAS ENGINEERING PRACTICE ACT. THE RECORD COPY OF THIS DRAWING IS ON FILE AT THE OFFICES OF HALFF ASSOCIATES, 1201 NORTH BOWSER ROAD, RICHARDSON, TEXAS, 75081. TPE, FIRM #2-312.

NO.	REVISION	BY	DATE		
TOWN OF ADDISON DALLAS COUNTY, TEXAS					
VITRUVIAN PARK BRIDGES BELLA LANE					
ARCH DETAILS					
HALFF 1201 NORTH BOWSER ROAD, RICHARDSON, TEXAS 75081-2275 TEL (214) 346-6200 FAX (214) 739-0095					
PROJECT	DESIGN	DRAWN	DATE	FILE	SHEET
27379	ESC	AHH	APRIL 2010	-	S2-20