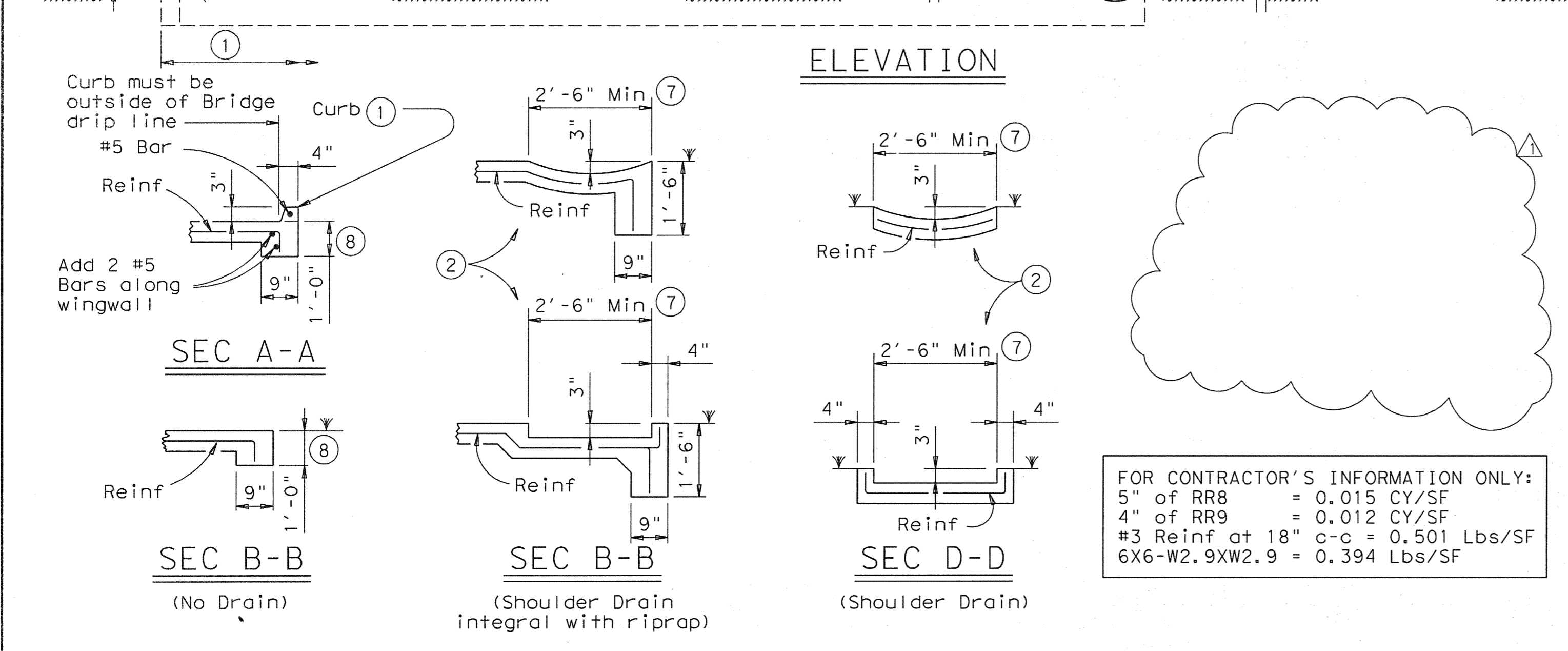
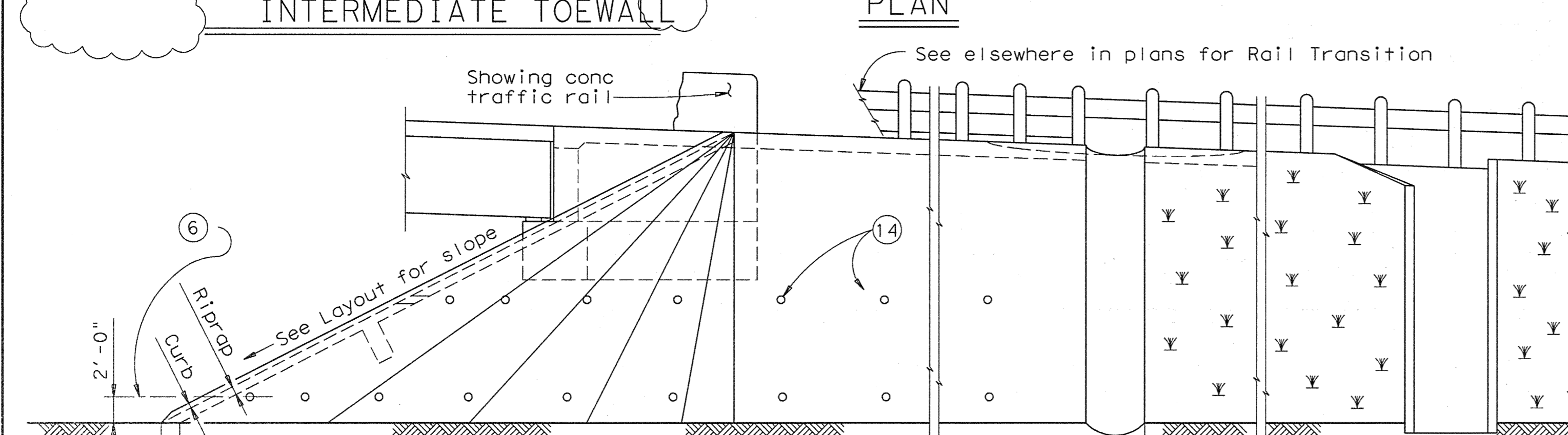
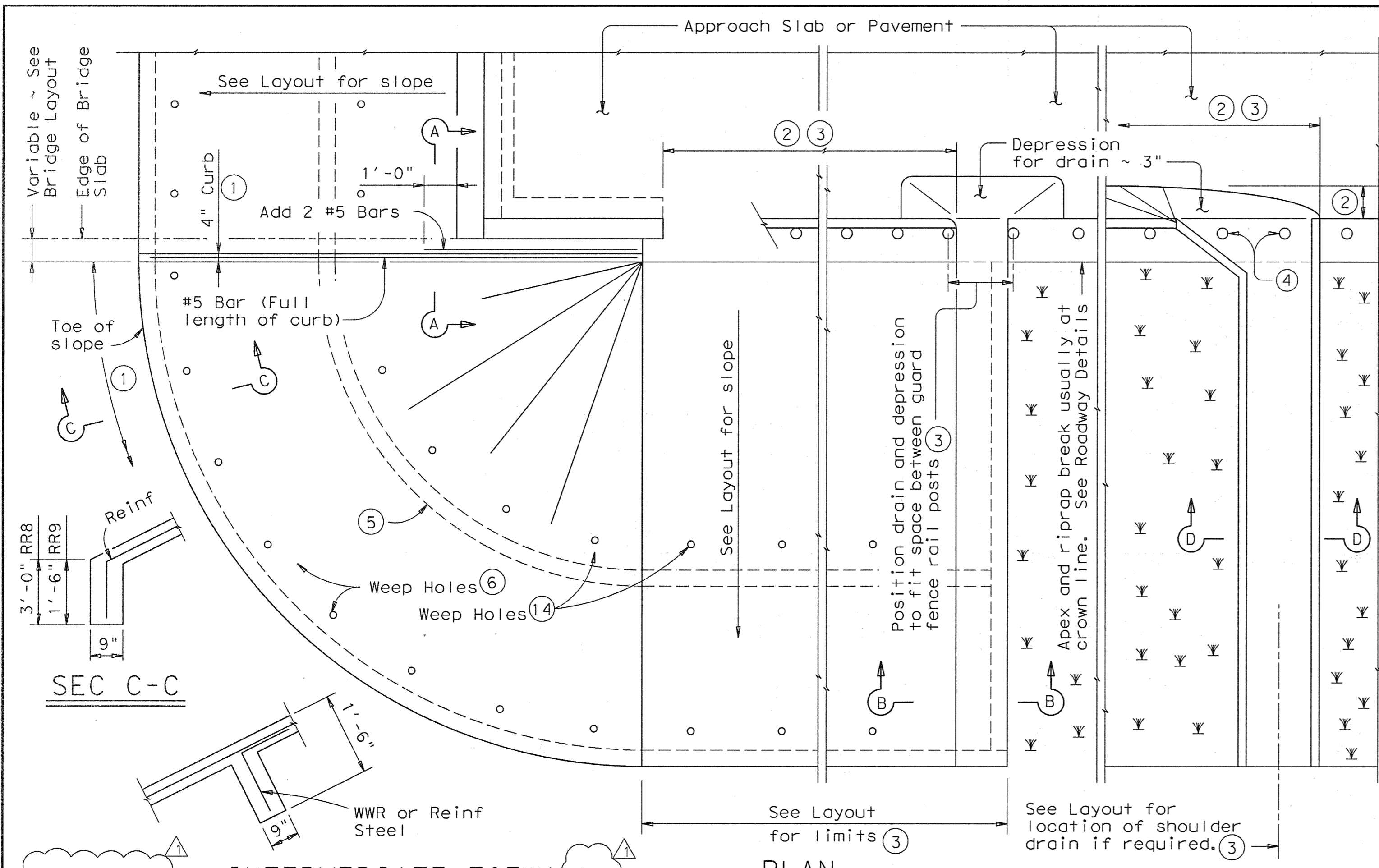


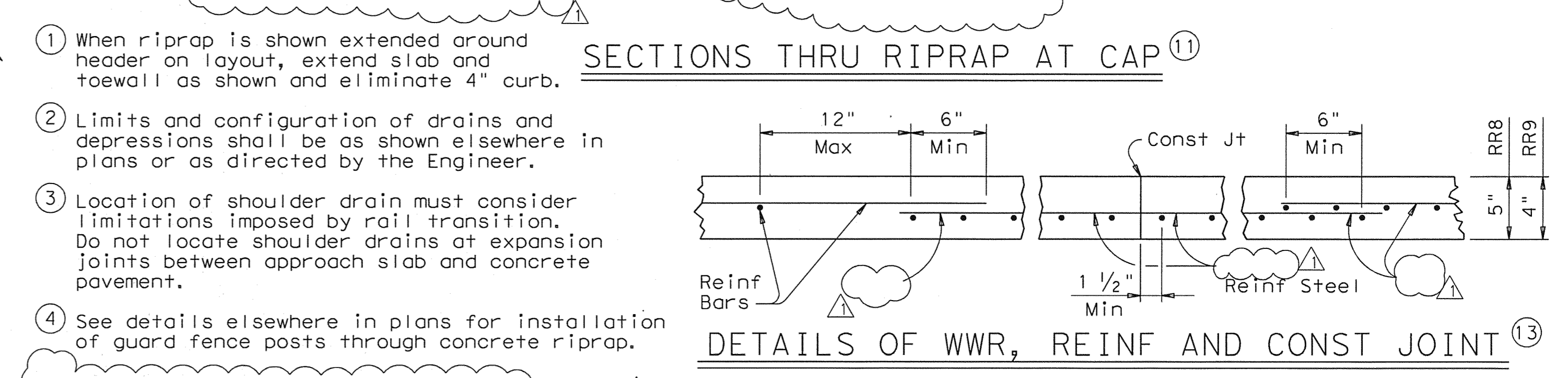
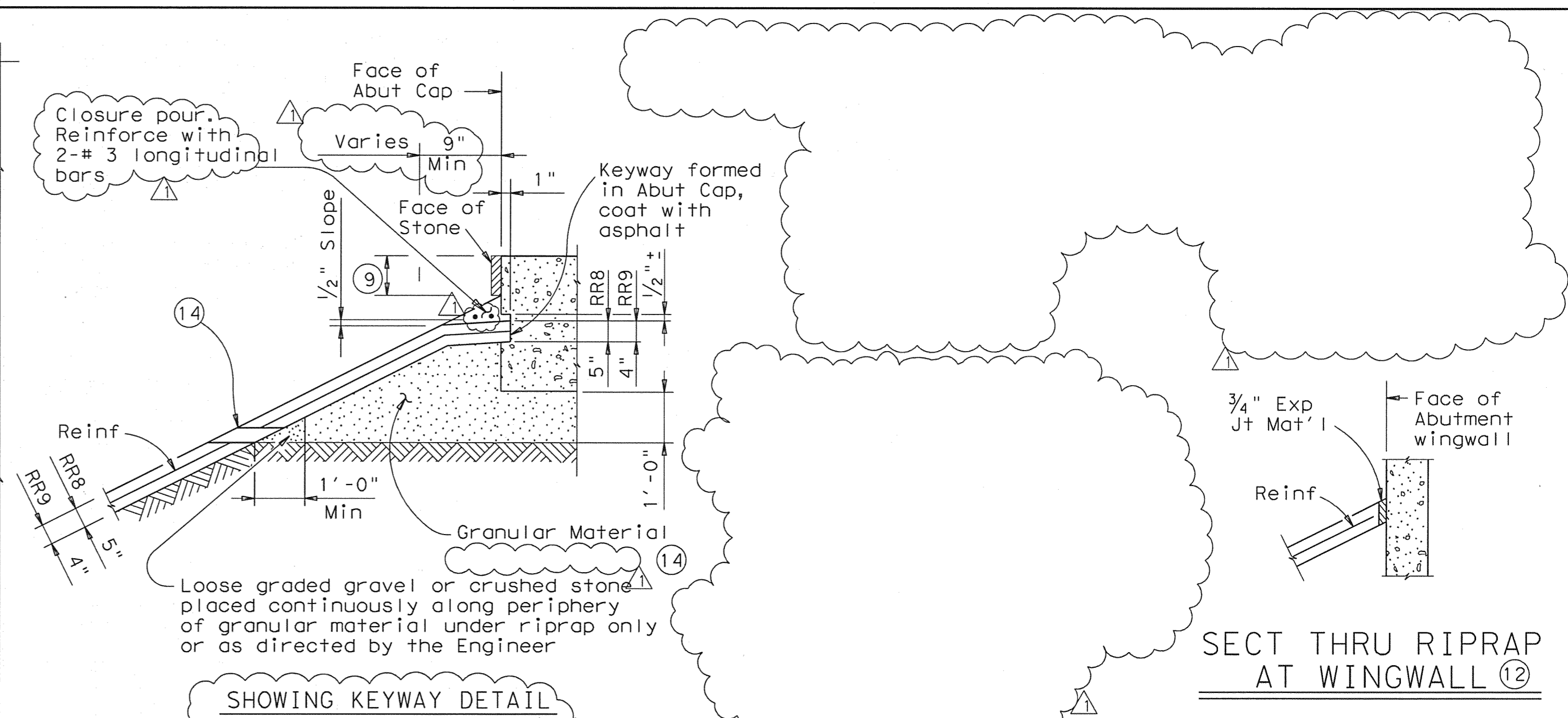
DISCLAIMER: The use of this standard is governed by the "Texas Engineering Practice Act". No warranty of any kind is made by TxDOT for any purpose whatsoever. TxDOT assumes no responsibility for the conversion of this standard to other formats or for incorrect results or damages resulting from its use.

LEVELS DISPLAYED

1	
2	
3	
4	
5	
6	
7	
8	
9	
10	
11	
12	
13	
14	

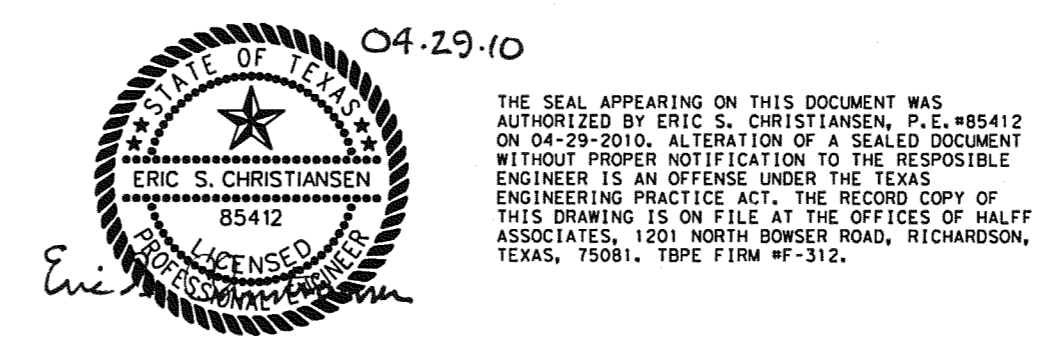


FOR CONTRACTOR'S INFORMATION ONLY:
 5" of RR8 = 0.015 CY/SF
 4" of RR9 = 0.012 CY/SF
 #3 Reinf at 18" c-c = 0.501 Lbs/SF
 6X6-W2.9XW2.9 = 0.394 Lbs/SF



- When riprap is shown extended around header in layout, extend slab and toewall as shown and eliminate 4" curb.
- Limits and configuration of drains and depressions shall be as shown elsewhere in plans or as directed by the Engineer.
- Location of shoulder drain must consider limitations imposed by rail transition. Do not locate shoulder drains at expansion joints between approach slab and concrete pavement.
- See details elsewhere in plans for installation of guard fence posts through concrete riprap.
- Provide lower level of 2" Dia weep holes at 10' c-c backed by 1 CF packet of gravel and galvanized hardware cloth at all locations unless directed by the Engineer to eliminate.
- Wider or other drain configurations shall be used if shown elsewhere in plans or if directed by the Engineer.
- Wall extension may be reduced or modified if approved by the Engineer. Wall extension shall be increased to 1'-6" whenever the optional intermediate toewall is called for in the plans.
- Top of cap to top of riprap dimension varies as directed by the Engineer. Should be 9" Min for beam/slab type bridges and 1'-6" for slab span, box beam, or slab beam bridges.
- 8" x 18 Gage Galv Sheet Metal
- The sealing option of the joint between the face of cap and riprap shall be as designated by the Engineer or as shown elsewhere on plans.
- Flashing (shown in Cap Option A) may be used at wingwall in addition to Exp Jt Mat'l if shown on plans or directed by the Engineer.
- Reinforcing bars shall be #3 at 18" Spd c-c. Lap splices shall be a minimum of 6 inches, measured from the ends of reinforcing bars.
- provide upper level of 2" Dia weep holes at 10' c-c backed by galvanized hardware cloth.

GENERAL NOTES:
 Concrete shall be Class "B" with a minimum compressive strength of 2,000 psi unless noted elsewhere in plans.
 All reinforcing steel shall be Grade 60.
 Reinforcing other than that shown may be used by substituting reinforcement of equal or greater unit cross-sectional area. The maximum reinforcement spacing shall be 18 inches.
 Construction joints or grooved joints extending the full slant slope height shall be at intervals of approximately 20 feet unless otherwise directed by the Engineer.
 Hardware cloth, loose graded stone behind weep holes, flashing, or other sealing material shall not be paid for directly but shall be subsidiary to the bid item "Riprap".
 Unless specified elsewhere in the plans to be only reinforcing bars, the riprap reinforcing may be composed of reinforcing bars, Welded Wire Reinforcement (WWR), or any suitable combination of both types.
 See Layout for limits of riprap.
 RR8 is to be used on stream crossings.
 RR9 is to be used on other embankments.



Modifications ESC 04/29/10

Revised cap options, revise reinforcing revise keyway.

Texas Department of Transportation
 Bridge Division

CONCRETE RIPRAP AND SHOULDER DRAINS
 EMBANKMENTS
 AT BRIDGE ENDS
 (TYPES RR8 & RR9)

CRR (MOD)

FILE: crrstde1.dgn	DN: TxDOT	CK: TxDOT	DW: TxDOT	CK: TxDOT
©TxDOT April 2006	DISTRICT	FEDERAL AID PROJECT	SHEET	
08-2007: Revised Note 6, removed "H" reference, added Note 14 & changed weep hole size & spacing.	COUNTY	CONTROL SECT	JOB	HIGHWAY
				S4-08