

BOTH ABUTMENTS ON BEARING S 41°12'10.97" W

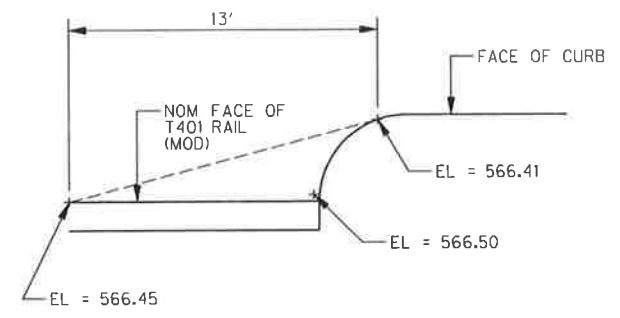
FARMERS BRANCH CREEK HYDRAULIC DATA

100 YEAR FLOOD (PROPOSED)

Q = 8,944 cfs
 V = 8.33 fps
 HW = 554.08'

SIDEWALK SLOPE TRANSITIONS

- 1 BEGIN TRANSITION STA 23+93.08
- 2 END TRANSITION STA 24+30.58
- 3 BEGIN TRANSITION STA 25+73.42
- 4 END TRANSITION STA 26+10.92



DETAIL A
SCALE: NTS

PLAN

SCALE: 1" = 10'-0"

* - BORING TEST HOLES SHOWN IN APPROXIMATE LOCATIONS.

DESIGN NOTES:

1. BRIDGE DESIGNED FOR HL93 LOADING AND 25 PSF FUTURE OVERLAY PER AASHTO LRFD BRIDGE DESIGN SPECIFICATIONS (2007) AND INTERIM REVISIONS THERETO.
2. CONTRACTOR SHALL LOCATE ALL UTILITIES AND INFORM THE ENGINEER IN WRITING OF ANY CONFLICTS PRIOR TO BEGINNING CONSTRUCTION.
3. FOR BRIDGE ELEVATION AND BORING LOG INFORMATION, SEE SHEET 2 OF 3.
4. FOR TYPICAL SECTION, SEE SHEET 3 OF 3.
5. DESIGN SPEED = 30 MPH
6. ADT = 8,871
7. FUNCTIONAL CLASSIFICATION = LOCAL COLLECTOR STREET
8. STAIRS, RAMPS, AND BOARDWALKS ARE NOT PART OF THIS CONTRACT. SEE CIVIL DRAWINGS FOR DETAILS.
9. CONTRACTOR SHALL EXTEND CARRIER PIPES TO THE OUTSIDE EDGE OF THE SUPPORT SLAB OF EACH BRIDGE APPROACH SLAB AND CAP THEM.



ADDENDUM #2	NO.	REVISION	BY	DATE
			ESC	05/19/10

ADDISON TOWN OF ADDISON
 DALLAS COUNTY, TEXAS

VITRUVIAN PARK BRIDGES
 PONTE AVENUE

BRIDGE LAYOUT - PLAN

HALFF 1201 NORTH BOWSER ROAD, RICHARDSON, TEXAS 75081-2275
 TEL (214) 348-8200 FAX (214) 739-0065

PROJECT	DESIGN	DRAWN	DATE	FILE	SHEET
27379	ESC	AHH	APRIL 2010		S1-01