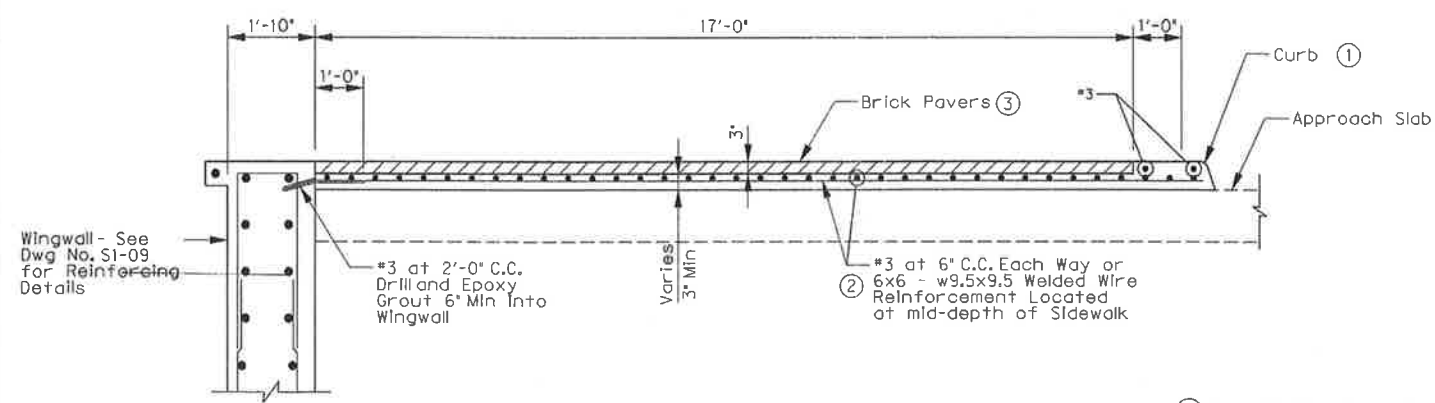


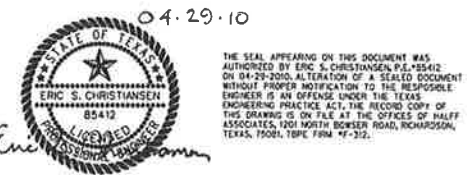
TYPICAL SECTION
SCALE: 1" = 10'-0"



SIDEWALK ON APPROACH SLAB DETAIL
SCALE: 1/2" = 1'-0"

- ① See Civil Drawings for Curb Details.
- ② Epoxy coat all sidewalk reinforcing.
- ③ See Landscape Architecture drawings for paver details.

GENERAL NOTES:
1. FOR BRIDGE PLAN, SEE SHEET 1 OF 3.
2. FOR BRIDGE ELEVATION, SEE SHEET 2 OF 3.



NO.	REVISION	BY	DATE
TOWN OF ADDISON DALLAS COUNTY, TEXAS			
VITRUVIAN PARK BRIDGES PONTE AVENUE			
BRIDGE LAYOUT - TYPICAL SECTION			
1201 NORTH BOWSER ROAD, RICHARDSON, TEXAS 75081-2276 TEL (214) 348-0200 FAX (214) 738-0066			
PROJECT	DESIGN	DRAWN	DATE
27379	ESC	AHH	APRIL 2010
FILE	SHEET		
-	S1-03		