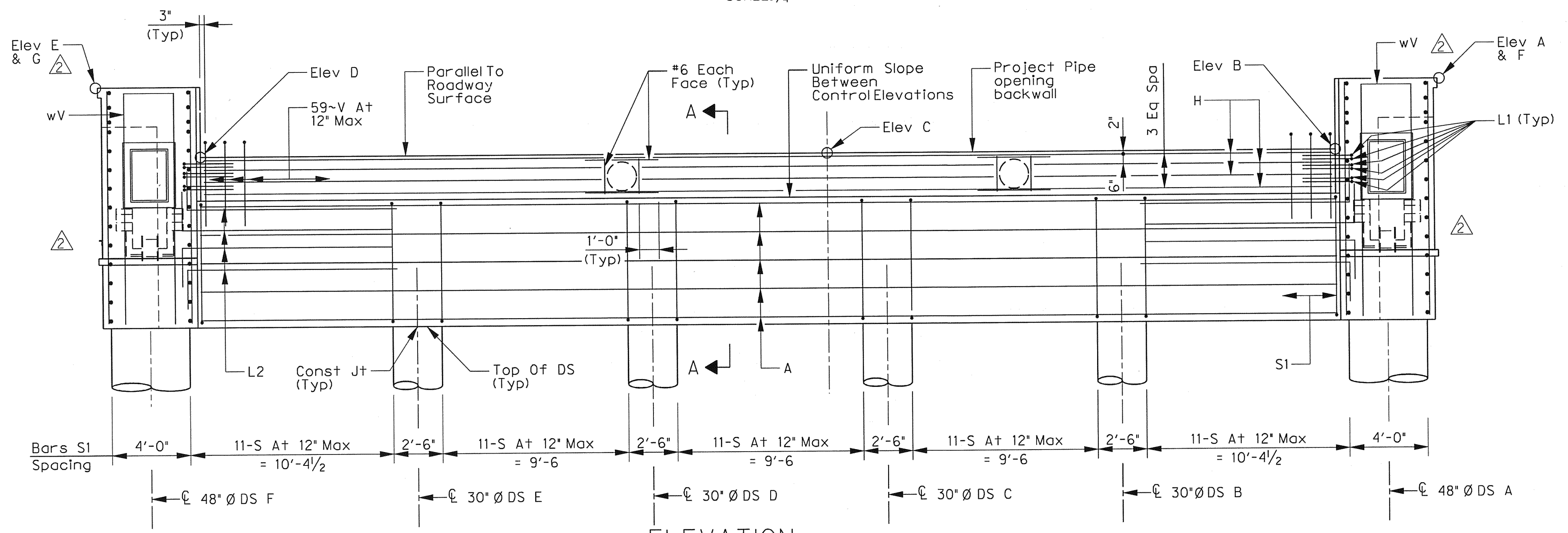
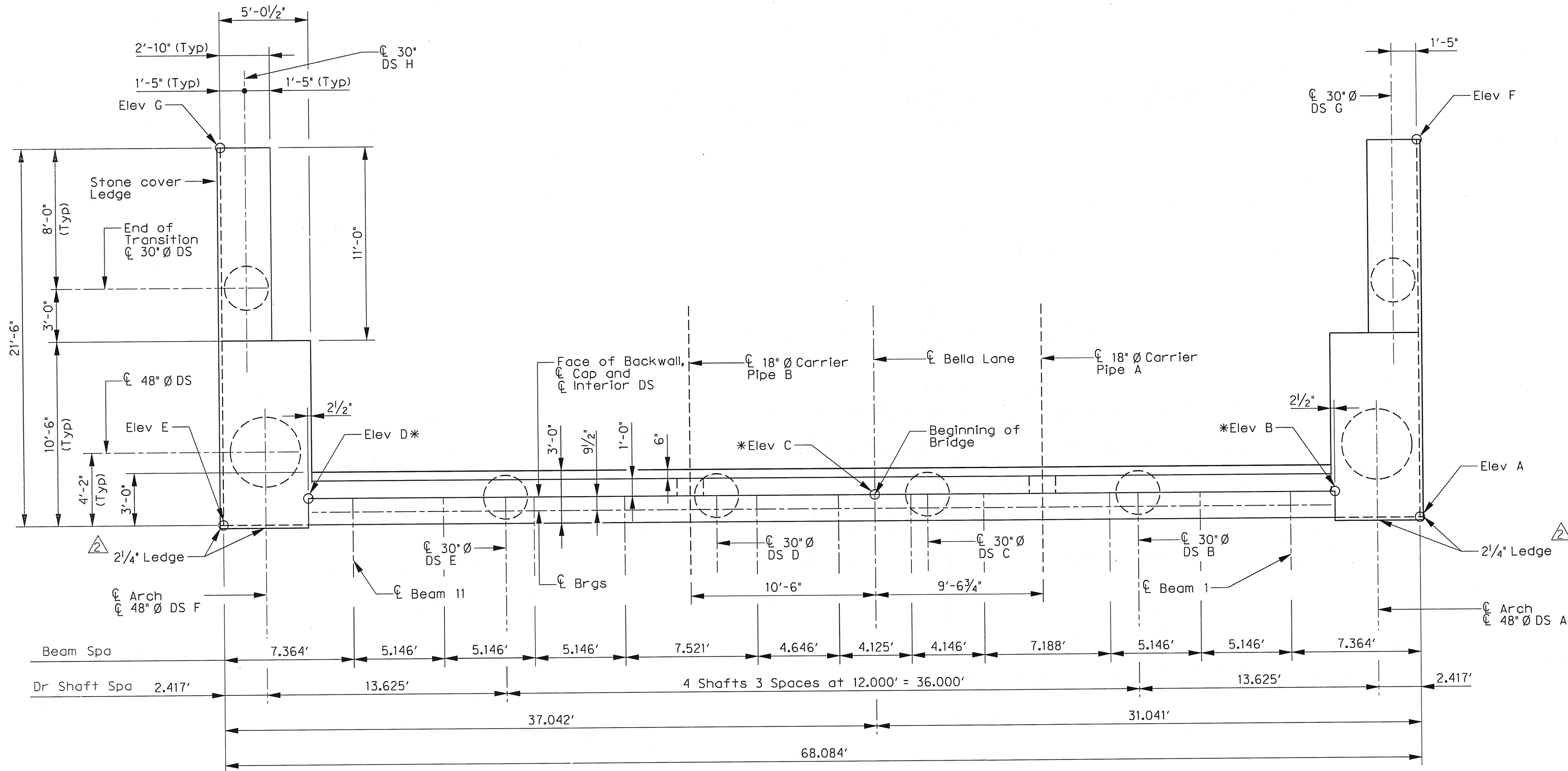


USER: ah2441
 PROJECT # 27379 OFFICE: RCH
 FILE: 27379-SC-BELLABL-AB01-01.dgn
 DATE: 5/24/2010 TIME: 4:08:26 PM



Note: For information not shown see Section A-A/S2-07

CONTROL ELEVATIONS

Abutment	Station	Top of Abutment							Top of Drilled Shafts							
		Elev A	Elev B	Elev C	Elev D	Elev E	Elev F	Elev G	DS A	DS B	DS C	DS D	DS E	DS F	DS G	DS H
1	28+58.50	564.84	561.34	561.87	561.34	564.94	563.35	563.45	552.54	552.80	553.04	552.92	552.68	552.42	552.48	552.48

BAR SCHEDULE ~ ONE CAP

Bar	Type	No.	Size	Length	Weight
A	S+	28	#11	58'-1"	8,641
H	S+	8	#6	57'-8"	693
L1	B+	12	#6	5'-0"	91
L2	B+	24	#6	12'-6"	451
S1	B+	55	#5	18'-2"	1,043
V	B+	59	#5	9'-2 1/2"	567
wH1	S+	22	#6	21'-2"	700
wH2	S+	38	#6	10'-2"	581
wH3	S+	22	#6	10'-8"	353
wU	B+	26	#8	26'-2 1/2"	1,820
wV1	S+	24	#8	11'-8 3/4"	752
wV2	S+	24	#6	9'-8 3/4"	351
wZ	B+	22	#6	6'-2 1/2"	206
① Total Reinforcing Steel				LB	16,250
C/C Conc (Abut)				CY	47.9
C/C Conc (Mass Placement)				CY	72.5

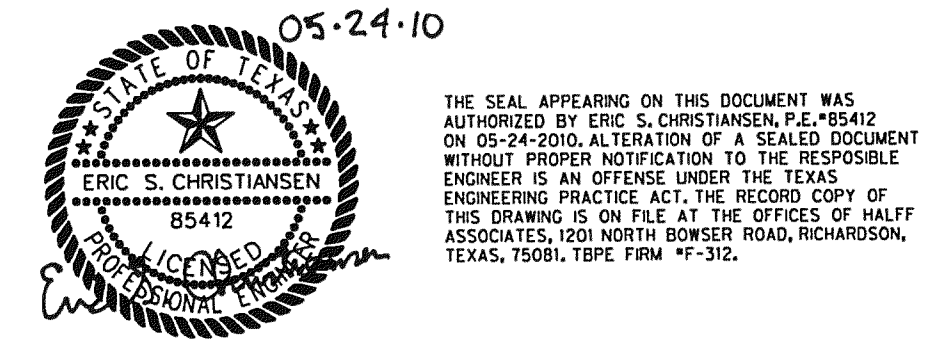
ESTIMATED QUANTITIES

Item	Unit	QUANTITY
Drilled Shaft (48 IN)	FT	44
Drilled Shaft (30 IN)	FT	150
① C/C Conc (Abut)	CY	47.9
C/C Conc (Mass Placement)	CY	72.5
Reinf Steel	LB	16,250

① For contractor's information only.

General Notes:

- Designed per AASHTO LRFD Bridge Design Specifications (2007) with interim specifications thereto.
- Concrete strength f'c = 3,600 psi.
- The price bid per foot of Drilled Shaft shall include the reinforcing extending from the shaft into the cap.
- Spiralsteel shall have one extra turn at the top, bottom and at splices.
- All cap and wall reinforcing shall be grade 60 steel.
- Drilled shaft reinforcing may be grade 40.
- Calculated drilled shaft foundation load is as follows:
 146 tons per shaft (48")
 104 tons per shaft (30")



NO.	REVISION	BY	DATE
①	Addendum #3	ESC	05/24/10
②	Addendum #2	ESC	05/19/10

ADDISON TOWN OF ADDISON
 DALLAS COUNTY, TEXAS

VITRUVIAN PARK BRIDGES
 BELLA LANE

ABUTMENT No. 1
 PLAN AND ELEVATION

HALFF 1201 NORTH BOWSER ROAD, RICHARDSON, TEXAS 75081-2275
 TEL (214) 346-6200 FAX (214) 739-0095

PROJECT	DESIGN	DRAWN	DATE	FILE	SHEET
27379	ESC	AHH	APRIL 2010	-	S2-04