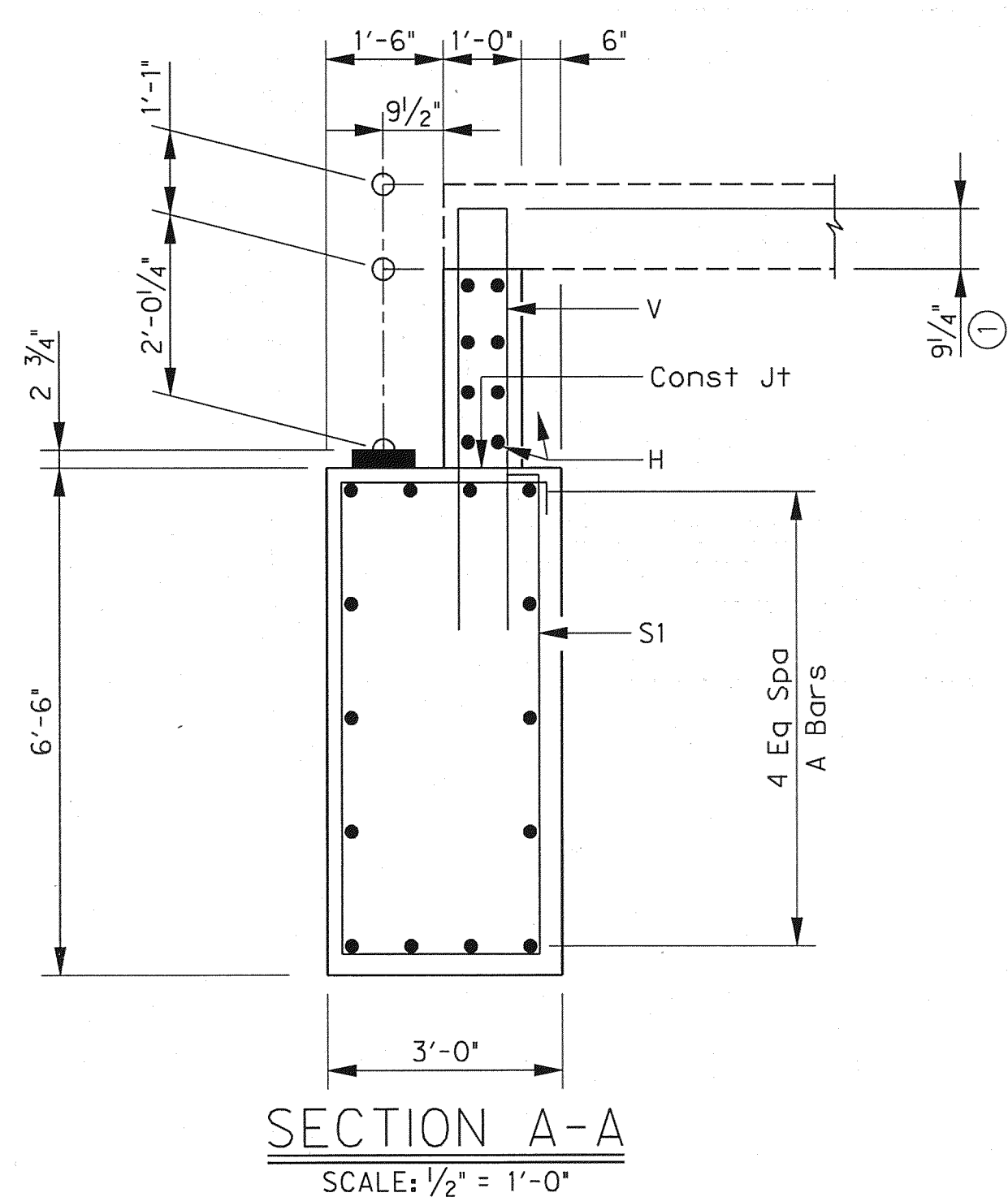
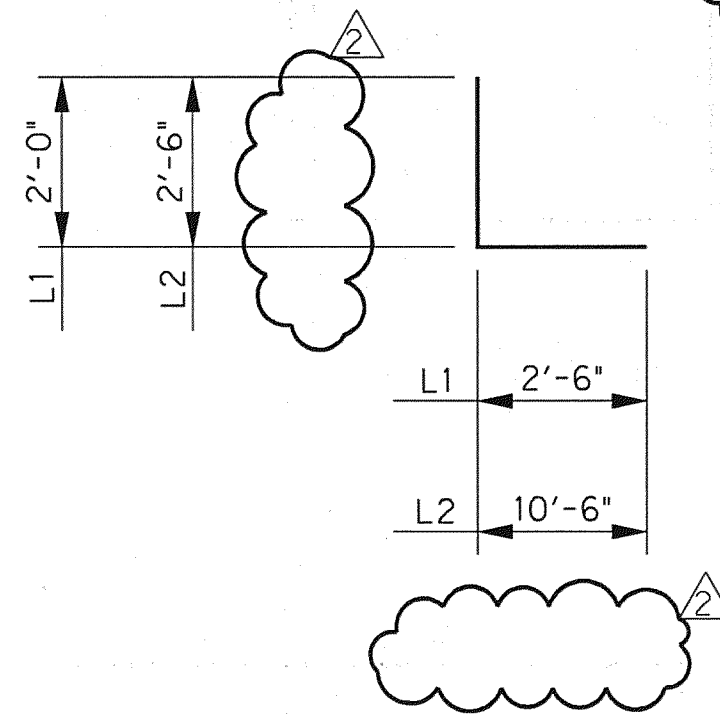


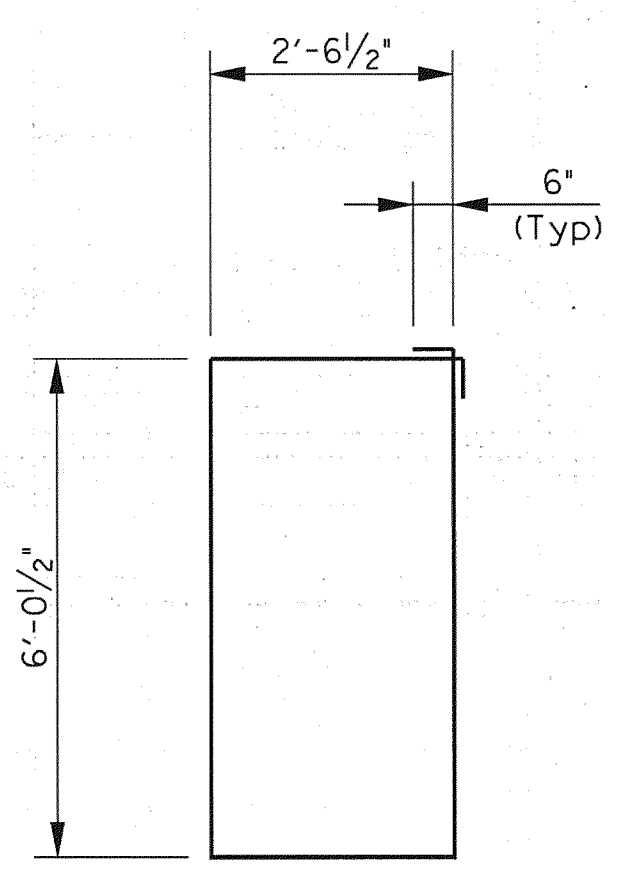
**DRILLED SHAFT DETAILS**  
SCALE: 3/8" = 1'-0"



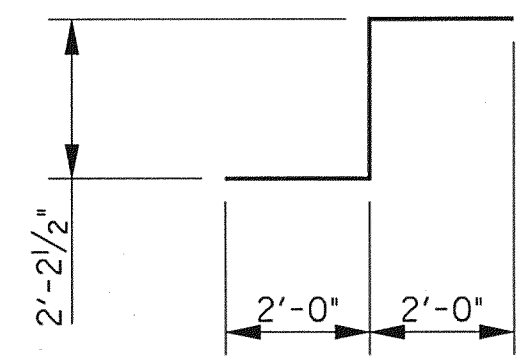
**SECTION A-A**  
SCALE: 1/2" = 1'-0"



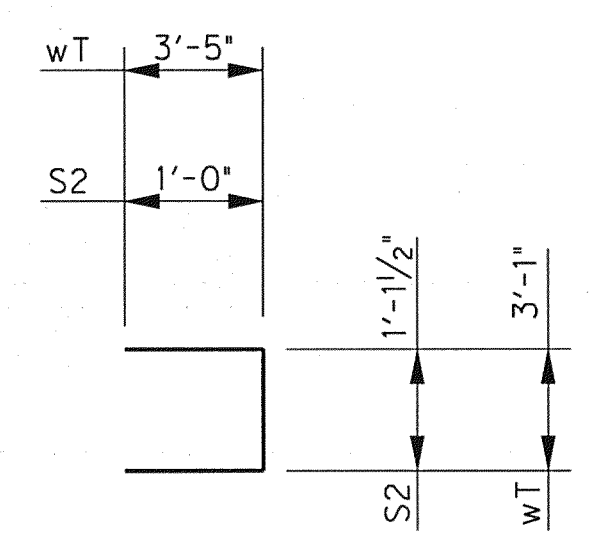
**BARS L1, L2, and sL**



**BARS S1**

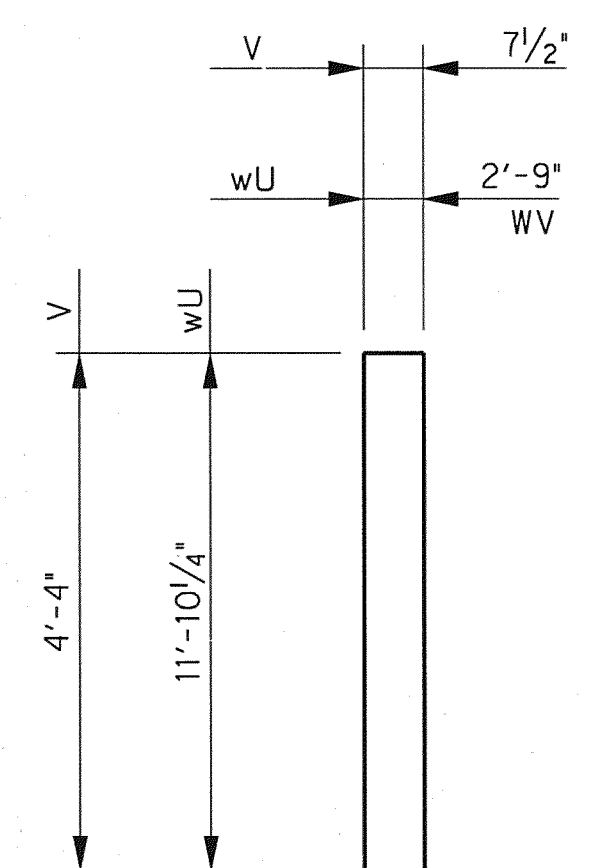


**BARS wZ**

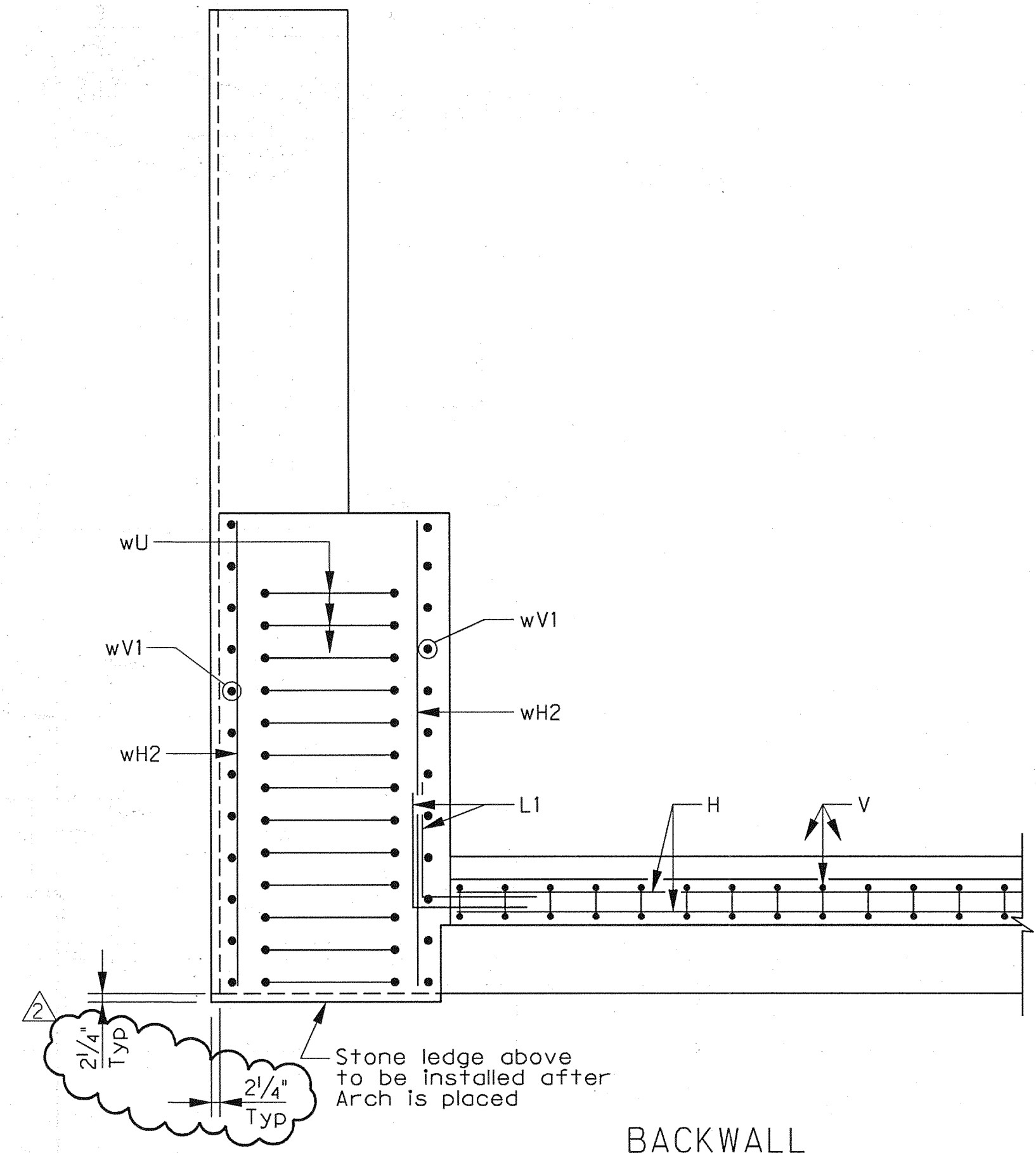


**BARS S2 AND wT**

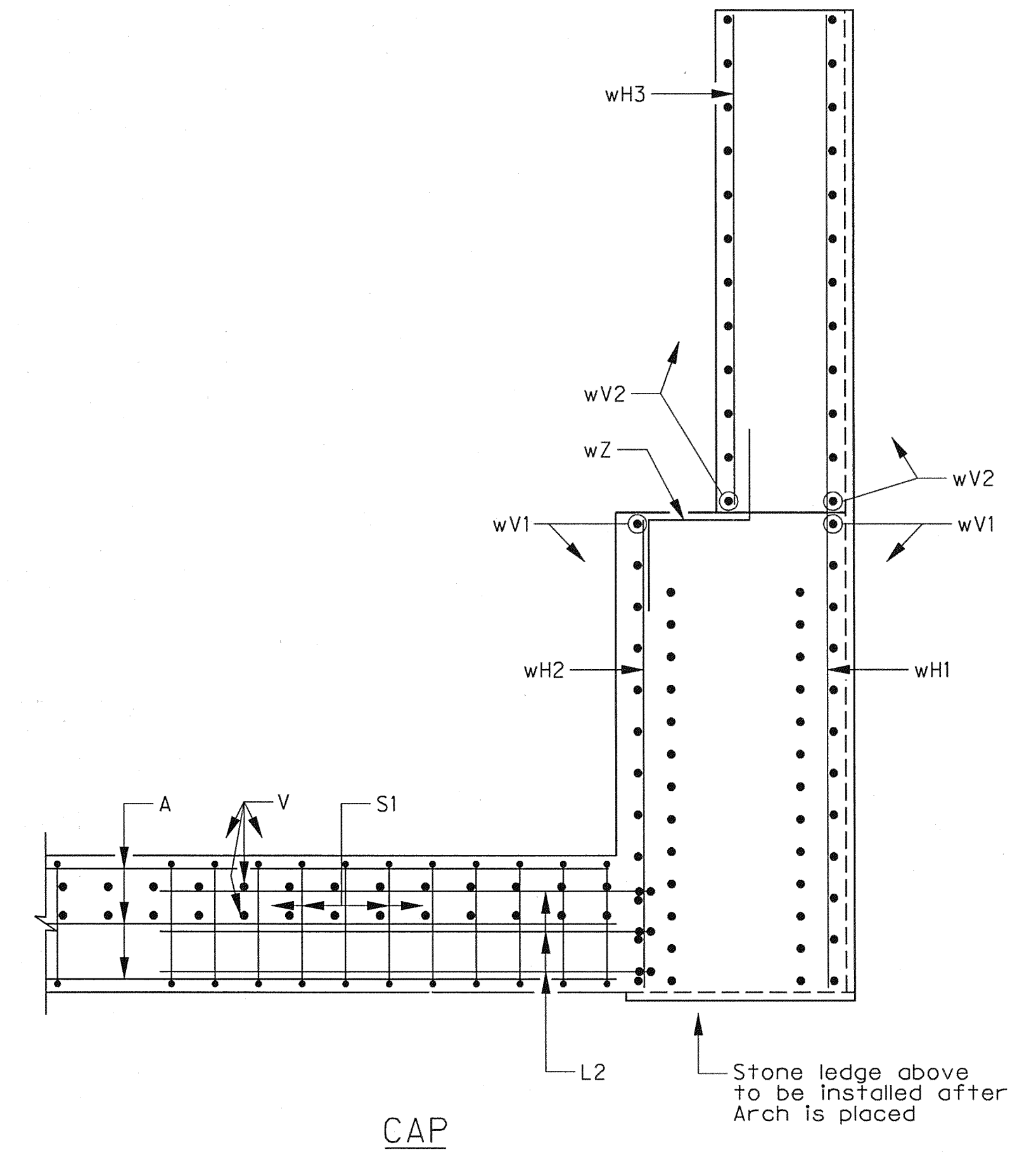
**CORNER DETAILS**  
SCALE: 3/8" = 1'-0"



**BARS V AND wU**



**BACKWALL**



**CAP**

① Increase as required to maintain 3 3/4" from finished grade.



THE SEAL APPEARING ON THIS DOCUMENT WAS AUTHORIZED BY ERIC S. CHRISTENSEN, P.E. #85412 ON 05-19-2010. ALTERATION OF A SEALED DOCUMENT WITHOUT PROPER NOTIFICATION TO THE RESPONSIBLE ENGINEER IS AN OFFENSE UNDER THE TEXAS ENGINEERING PRACTICE ACT. THE RECORD COPY OF THIS DRAWING IS ON FILE AT THE OFFICES OF HALFF ASSOCIATES, 1201 NORTH BOWSER ROAD, RICHARDSON, TEXAS, 75081, TPE FIRM #F-312.

Addendum #2		ESC	05/19/10
NO.	REVISION	BY	DATE
<b>HALFF</b> TOWN OF ADDISON DALLAS COUNTY, TEXAS VITRUVIAN PARK BRIDGES BELLA LANE ABUTMENT DETAILS SECTIONS			
<b>HALFF</b> 1201 NORTH BOWSER ROAD, RICHARDSON, TEXAS 75081-2275 TEL (214) 346-6200 FAX (214) 739-0095			
PROJECT	DESIGN	DRAWN	DATE
27379	ESC	AHH	APRIL 2010
FILE	SHEET		
-	S2-06		