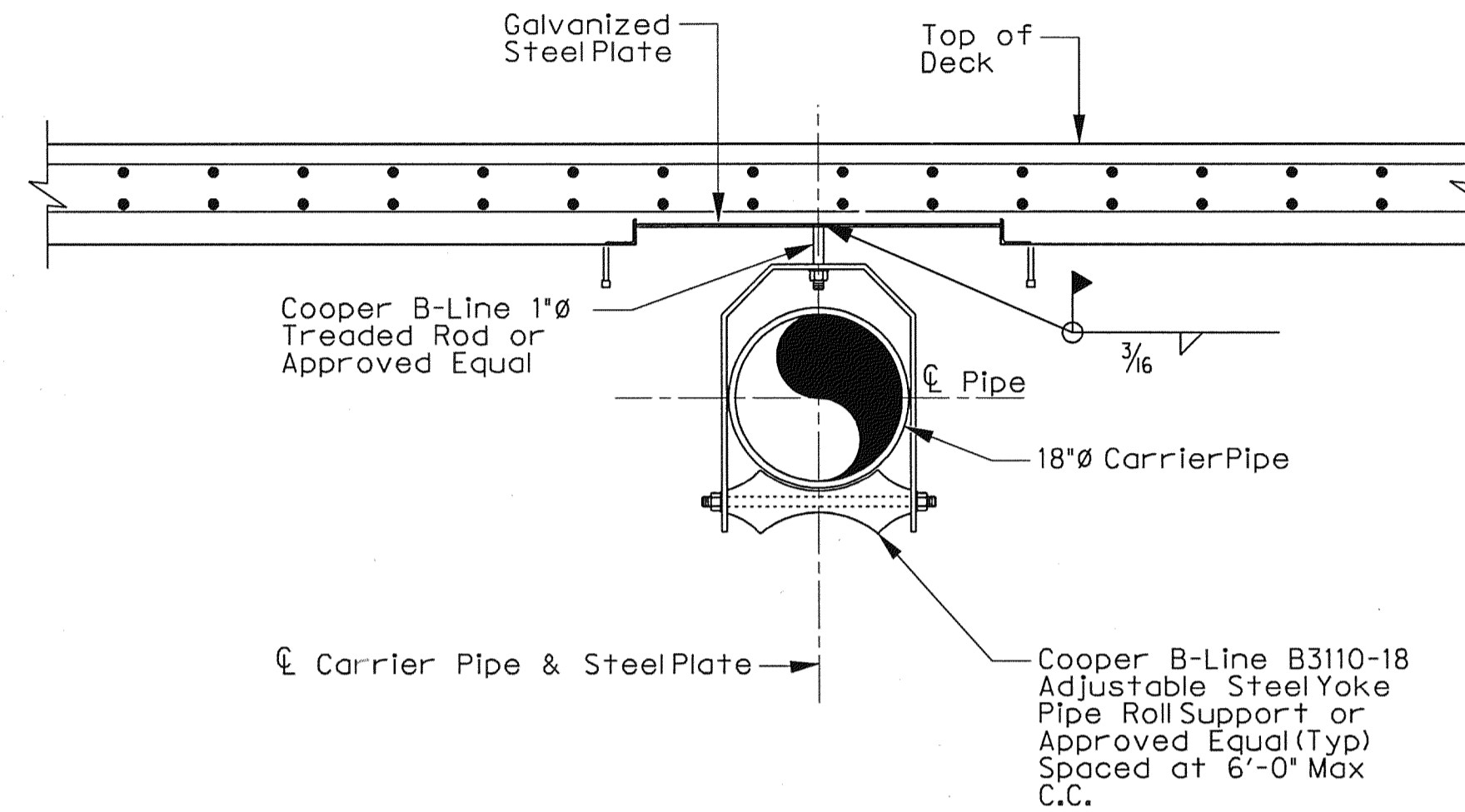


PIPE HANGER ASSEMBLY TYPICAL SECTION

SCALE: 3/4" = 1'-0"

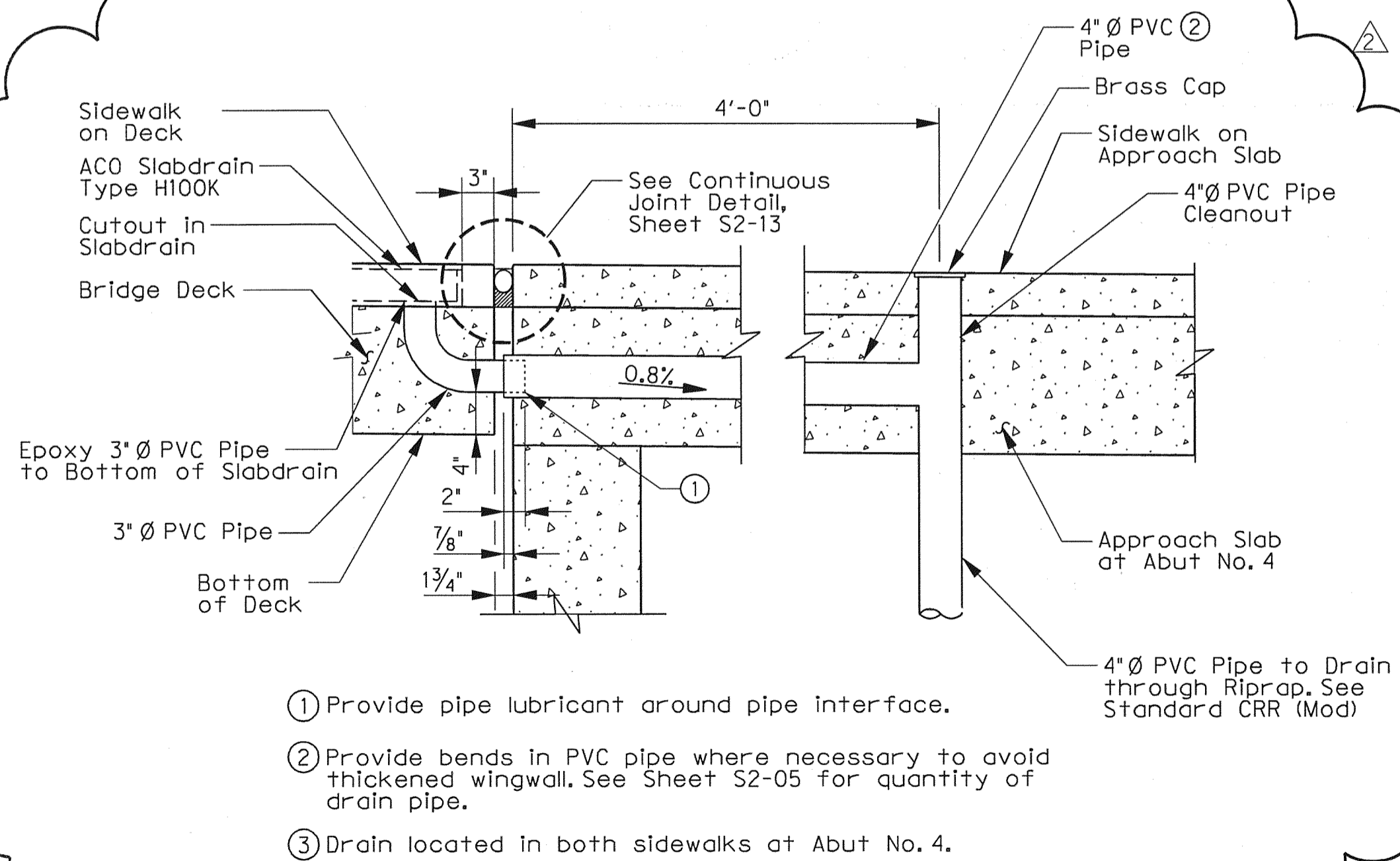


PIPE HANGER ASSEMBLY TYPICAL SECTION

Notes:
For information not shown see Details B/S2-10
Pipe supports are subsidiary to steel pipe
Item 442, misc. steel

SCALE: 3/4" = 1'-0"

(Girders not shown for clarity.)



- ① Provide pipe lubricant around pipe interface.
- ② Provide bends in PVC pipe where necessary to avoid thickened wingwall. See Sheet S2-05 for quantity of drain pipe.
- ③ Drain located in both sidewalks at Abut. No. 4.

SIDEWALK DRAIN DETAIL

SCALE: NTS



05-19-10
 THE SEAL APPEARING ON THIS DOCUMENT WAS AUTHORIZED BY ERIC S. CHRISTENSEN, P.E. 85412 ON 05-19-2010, ALTERATION OF A SEALED DOCUMENT WITHOUT PROPER NOTIFICATION TO THE RESPONSIBLE ENGINEER IS AN OFFENSE UNDER THE TEXAS ENGINEERING PRACTICE ACT. THE RECORD COPY OF THIS DRAWING IS ON FILE AT THE OFFICES OF HALFF ASSOCIATES, 1201 NORTH BOWSER ROAD, RICHARDSON, TEXAS, 75081, TYPE FIRM #2-512.

Addendum #2		ESC	05/19/10
NO.	REVISION	BY	DATE
TOWN OF ADDISON DALLAS COUNTY, TEXAS VITRUVIAN PARK BRIDGES BELLA LANE			
WATERLINE SUPPORT DETAILS			
1201 NORTH BOWSER ROAD, RICHARDSON, TEXAS 75081-2275 TEL (214) 346-6200 FAX (214) 739-0095			
PROJECT	DESIGN	DRAWN	DATE
27379	ESG	AHH	APRIL 2010
FILE	SHEET		
-	S2-14		