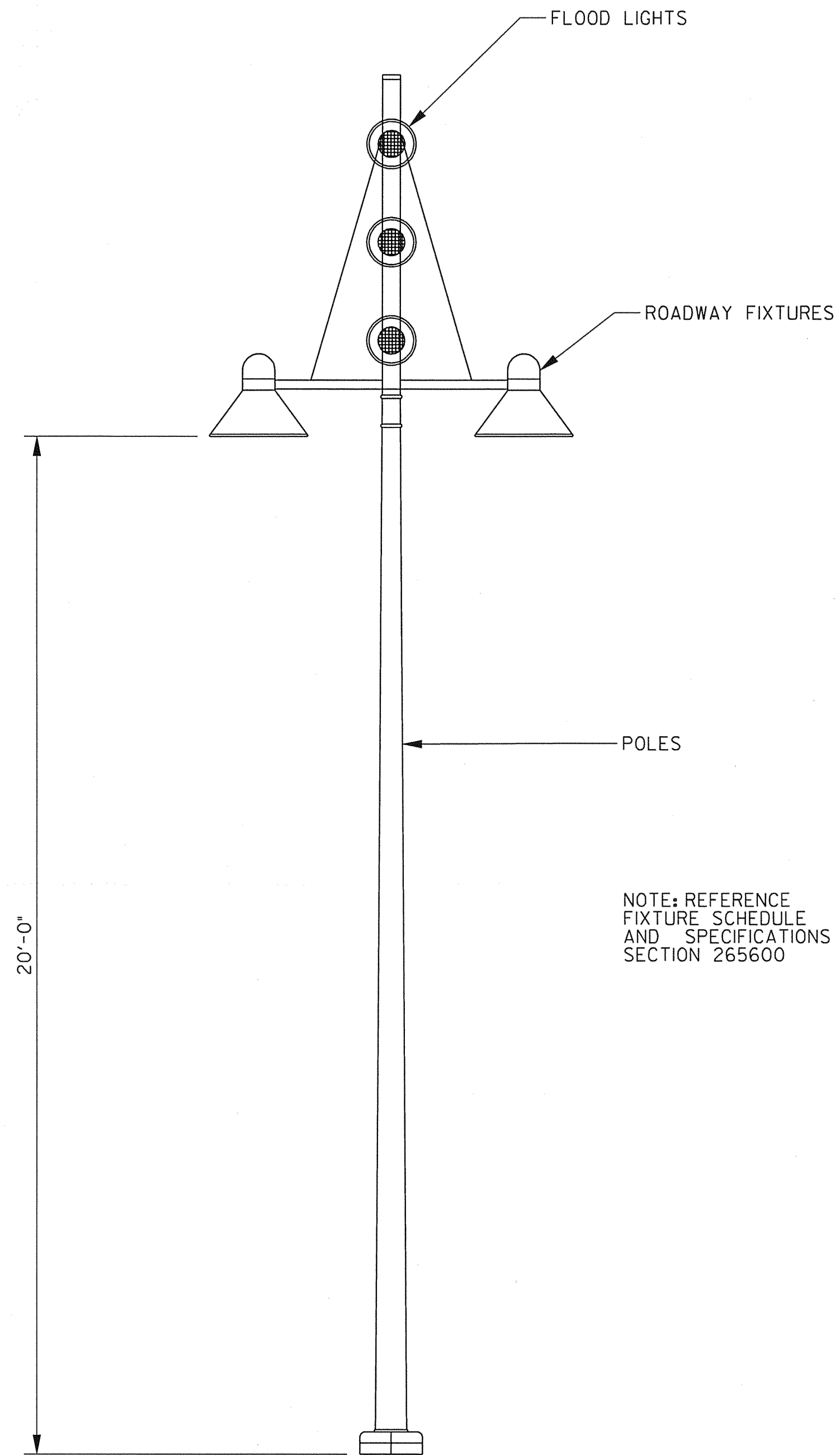
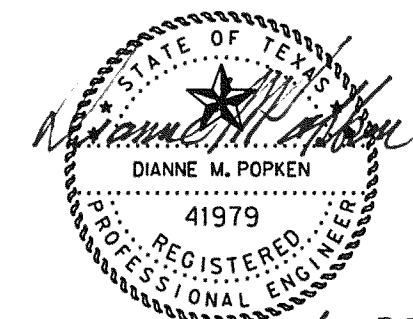


02 MOUNTING TYPE D  
NOT TO SCALE



NOTE: REFERENCE  
FIXTURE SCHEDULE  
AND SPECIFICATIONS  
SECTION 265600

01 TYPE A  
NOT TO SCALE



THE SEAL APPEARING ON THIS DOCUMENT WAS AUTHORIZED BY DIANNE M. POPKEN, P.E. #41979 ON 04-29-2010. ALTERATION OF A SEALED DOCUMENT WITHOUT PROPER NOTIFICATION TO THE RESPONSIBLE ENGINEER IS AN OFFENSE UNDER THE TEXAS ENGINEERING PRACTICE ACT. THE RECORD COPY OF THIS DRAWING IS ON FILE AT THE OFFICES OF HALFF ASSOCIATES, 1201 NORTH BOWSER ROAD, RICHARDSON, TEXAS 75081. TBPB, FPM #F-312.

4-28-10

NO.	REVISION	BY	DATE		
<b>TOWN OF ADDISON</b> DALLAS COUNTY, TEXAS					
<b>VITRUVIAN PARK BRIDGES</b> PONTE AVENUE					
<b>ELECTRICAL DETAILS</b>					
		1201 NORTH BOWSER ROAD, RICHARDSON, TEXAS 75081-2275 TEL (214) 349-6200 FAX (214) 739-0095			
PROJECT	DESIGN	DRAWN	DATE	FILE	SHEET
27379		AHH	APRIL 2010	-	E1-03