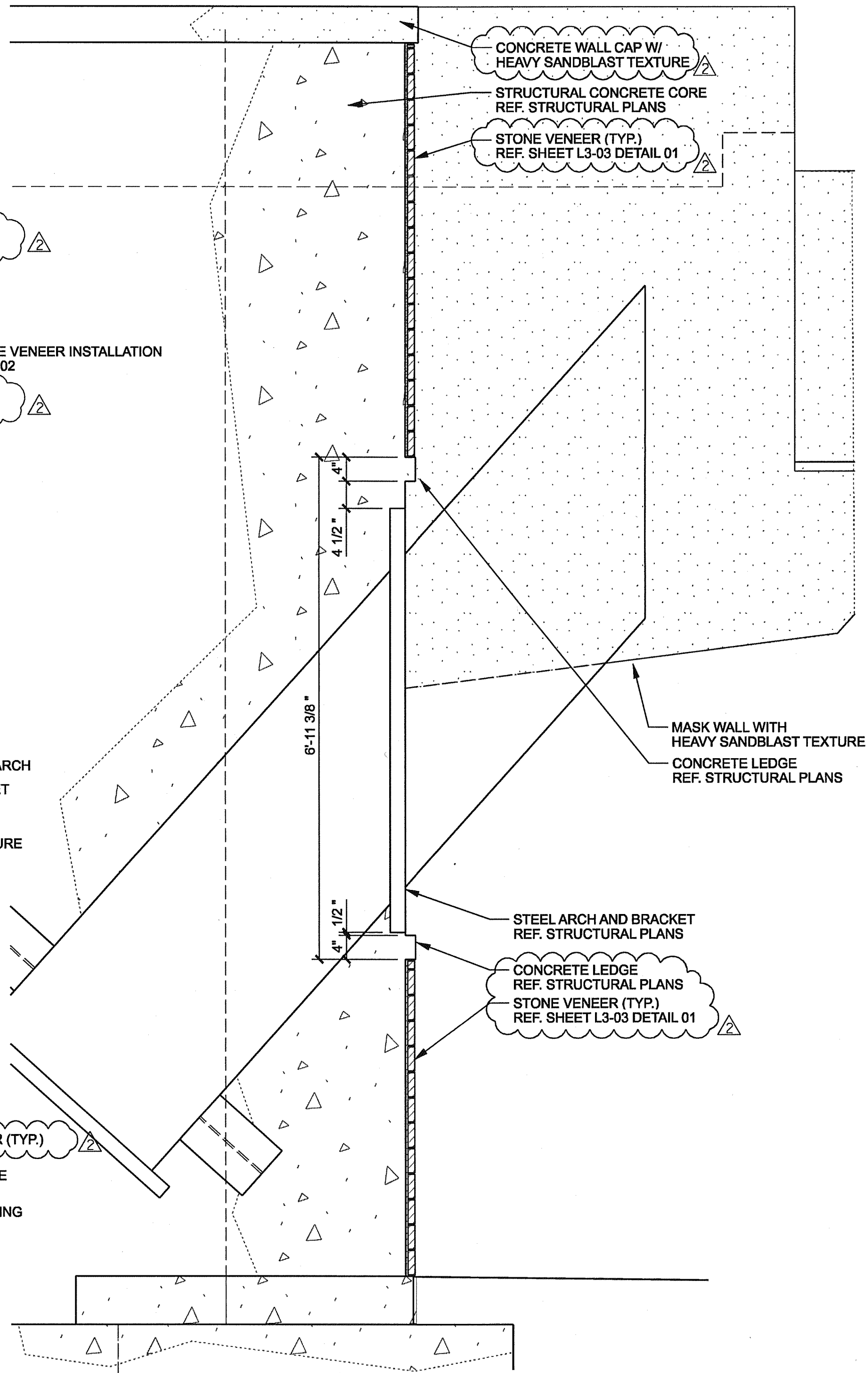
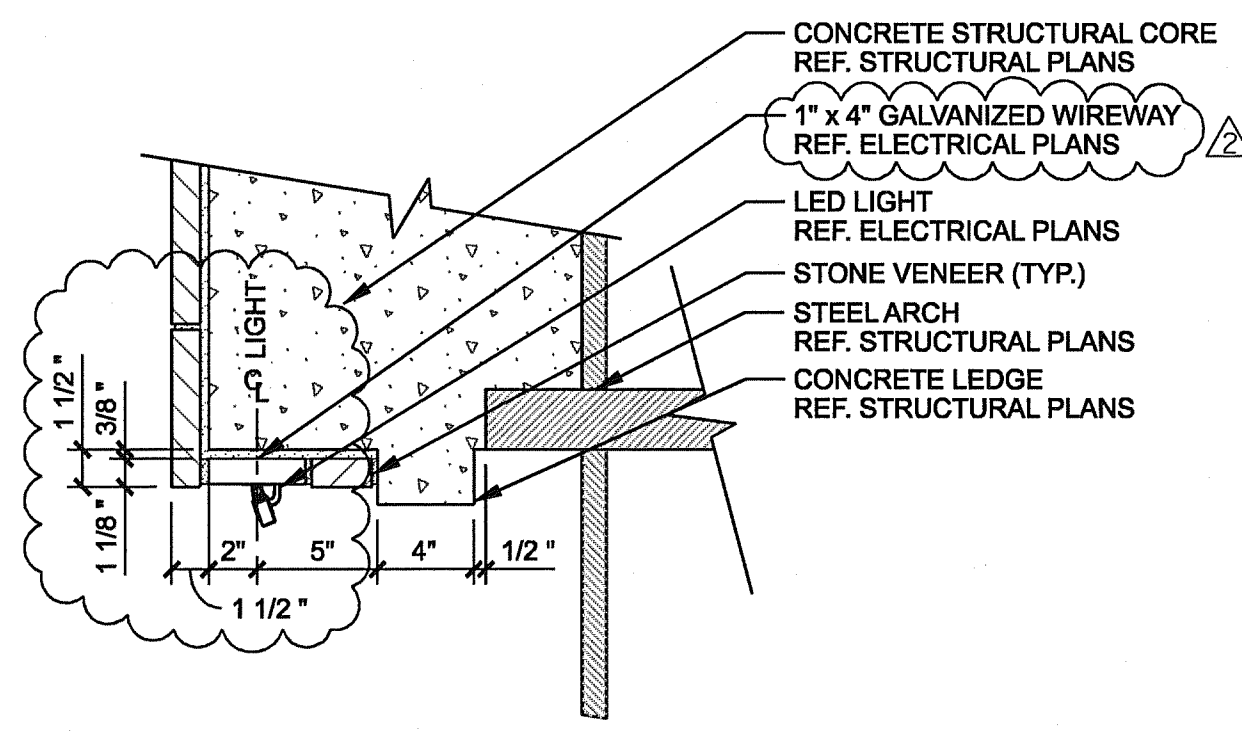


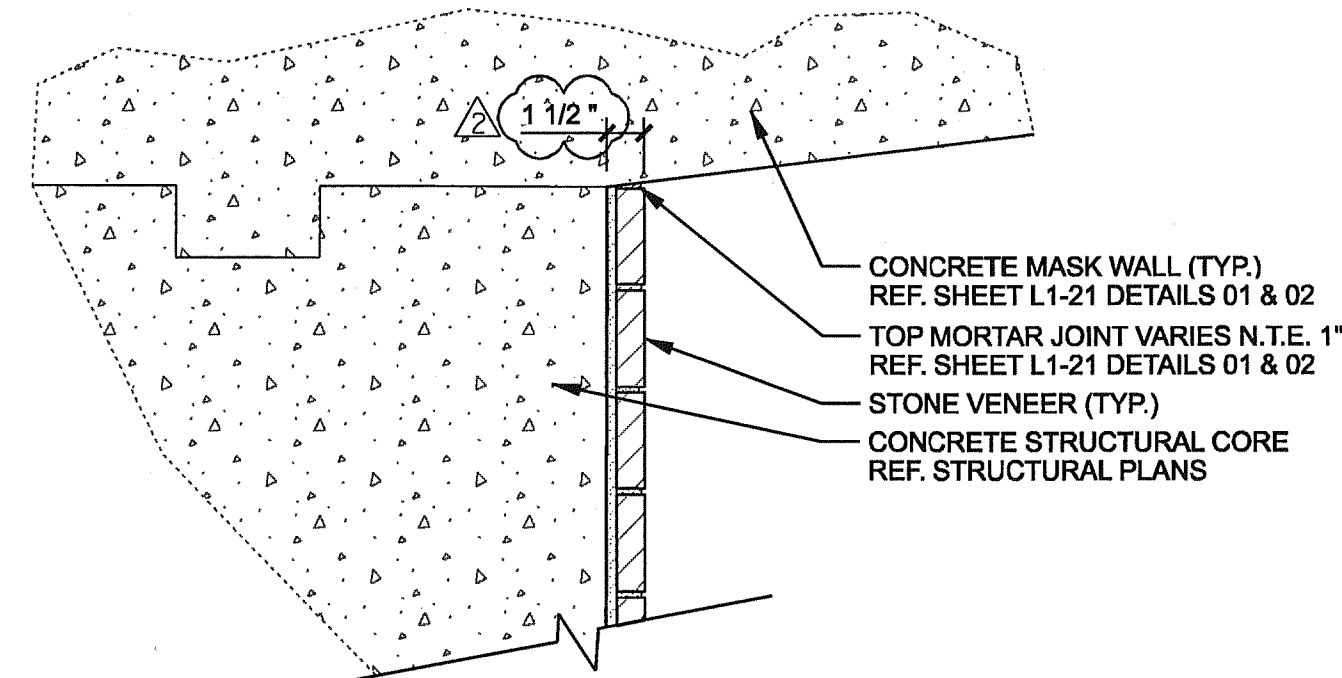
01 ARCH AT ABUTMENT (TYP.)
SCALE: 3/4"=1'-0"
ELEVATION



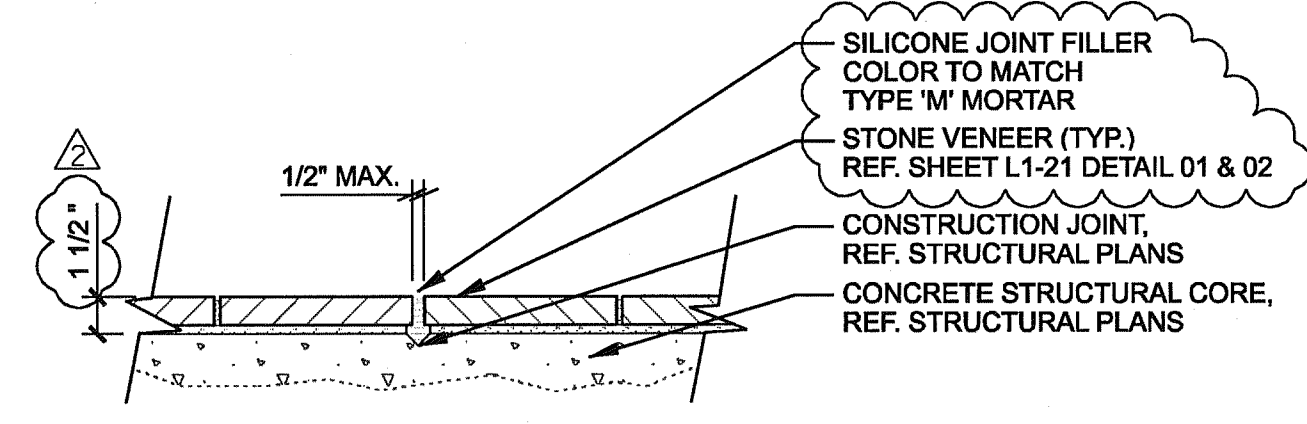
02 ARCH AT ABUTMENT (TYP.)
SCALE: 3/4"=1'-0"
ELEVATION



03 STONE WALL AT LED LIGHT (TYP.)
SCALE: 1 1/2"=1'-0"
SECTION



06 STONE VENEER AT MASK WALL (TYP.)
SCALE: 1 1/2"=1'-0"
SECTION



07 CONSTRUCTION JOINT STONE TREATMENT (TYP.)
SCALE: 1 1/2"=1'-0"
SECTION

- GENERAL NOTES**
1. REF. STRUCTURAL DRAWINGS FOR ALL BRIDGE DIMENSIONS AND COORDINATES.
 2. ALL RAILING SHALL BE SPACED AT TYPICAL 10'-0" INCREMENTS AS SHOWN ON SHEET L3-01 UNLESS OTHERWISE NOTED.
 3. ALL WALK DIMENSIONS ARE GIVEN FROM BACK OF CURB UNLESS OTHERWISE NOTED.
 4. REF. ELECTRICAL DRAWINGS FOR ALL LIGHT FIXTURE TYPES.
 5. ALL ITEMS AND APPURTANANCES N.I.C. TO BE COORDINATED BY THE CONTRACTOR PRIOR TO WORK COMMENCEMENT.
 6. ALL DIMENSIONS AND ITEM LOCATIONS ARE TO BE MIRRORED ALONG THE ROAD CENTERLINE UNLESS OTHERWISE NOTED.

DESIGN SELECTION: STRUCTURE

STONE:

- BLUE GREEN CHINESE STONE
- VENEER THICKNESS: 3 cm
- VENEER HEIGHT: 4"
- VENEER LENGTH: 8", 13" AND 21"
- VENEER FINISH: THERMAL
- VENEER EDGES: ALL FOUR SIDES TO BE SAW CUT
- MORTAR: TO MATCH ON SITE MOCK-UP
- COURSING: TO MATCH ON SITE MOCK-UP

CONCRETE ELEMENTS:

MASK WALL

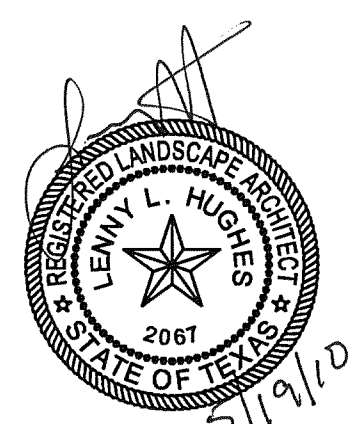
- FINISH: HEAVY SANDBLAST ALL SIDES
- COLOR: NONE

WALL CAP

- FINISH: HEAVY SANDBLAST
- COLOR: NONE

STRUCTURE GENERAL NOTES:

1. SEE ON-SITE MOCK-UP FOR ALL REFERENCED CONCRETE AND STONE, COLORS AND TEXTURES. FINAL APPROVAL BY OWNER OR OWNERS REPRESENTATIVE IS REQUIRED PRIOR TO WORK COMMENCEMENT.
2. CONTRACTOR TO PROVIDE A 4' x 4' MOCK-UP OF ALL REFERENCED CONCRETE AND STONE, COLORS AND TEXTURES FOR APPROVAL PRIOR TO WORK COMMENCEMENT.



THE SEAL APPEARING ON THIS DOCUMENT WAS AUTHORIZED BY LENNY L. HUGHES, P.L.A. #2967 ON 05-19-2010. ALTERATION OF A SEALED DOCUMENT WITHOUT PROPER NOTIFICATION TO THE RESPONSIBLE LANDSCAPE ARCHITECT IS AN OFFENSE UNDER THE TEXAS ENGINEERING PRACTICE ACT. THE RECORD COPY OF THIS DRAWING IS ON FILE AT THE OFFICES OF HALFF ASSOCIATES, INC., 1201 NORTH BOWSER, RICHARDSON, TEXAS 75081. TBPE FIRM #F-312

ADDENDUM #2	JDB	05/19/10			
ADDENDUM #1	JDB	05/14/10			
NO.	REVISION	BY DATE			
Addison TOWN OF ADDISON DALLAS COUNTY, TEXAS					
VITRUVIAN PARK BRIDGES PONTE AVENUE					
ABUTMENT DETAILS					
HALFF 1201 NORTH BOWSER ROAD, RICHARDSON, TEXAS 75081-2275 TEL (214) 346-6200 FAX (214) 739-0095					
PROJECT	DESIGN	DRAWN	DATE	FILE	SHEET
27379	JDB	AHH	APRIL 2010	-	L1-30