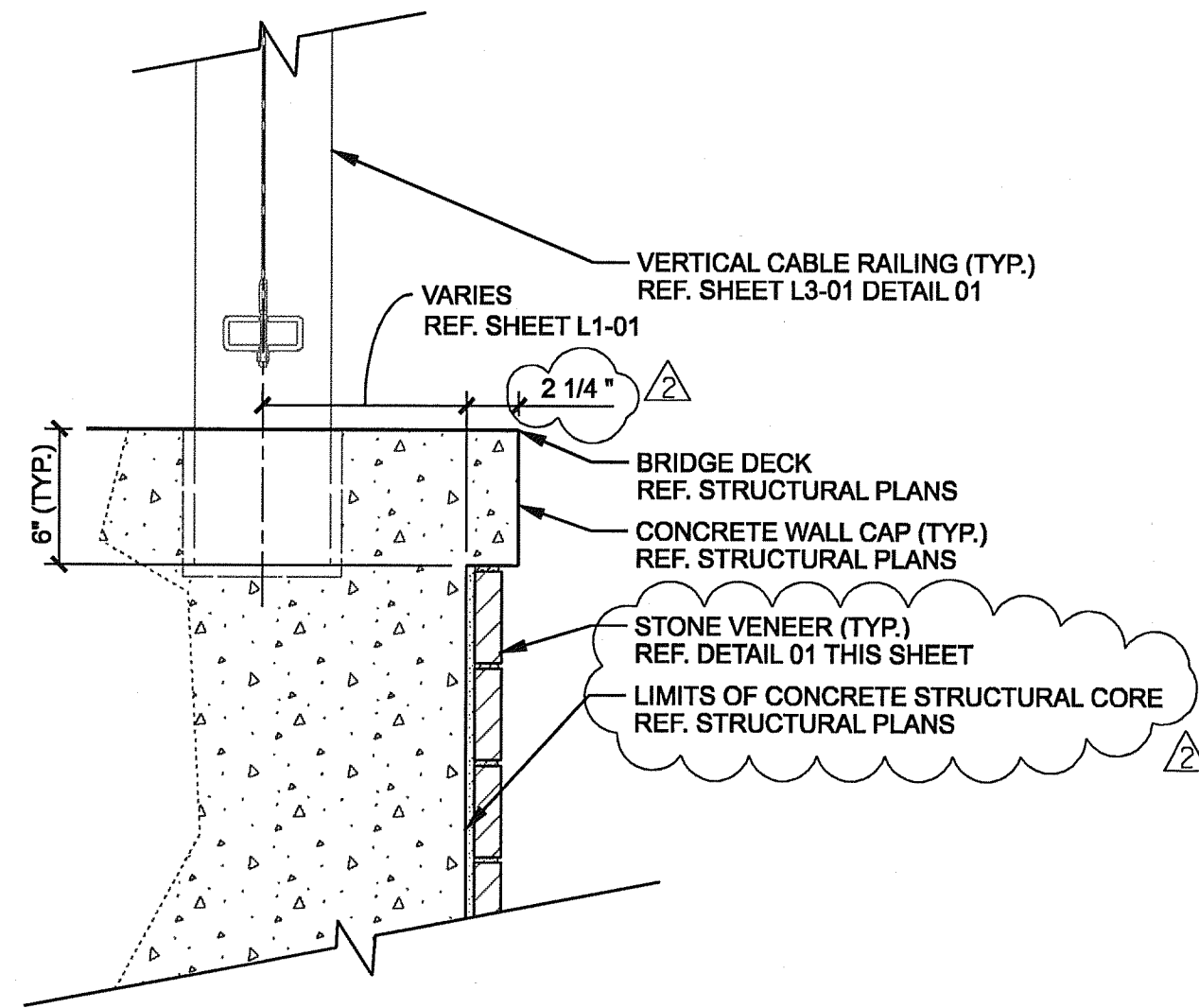
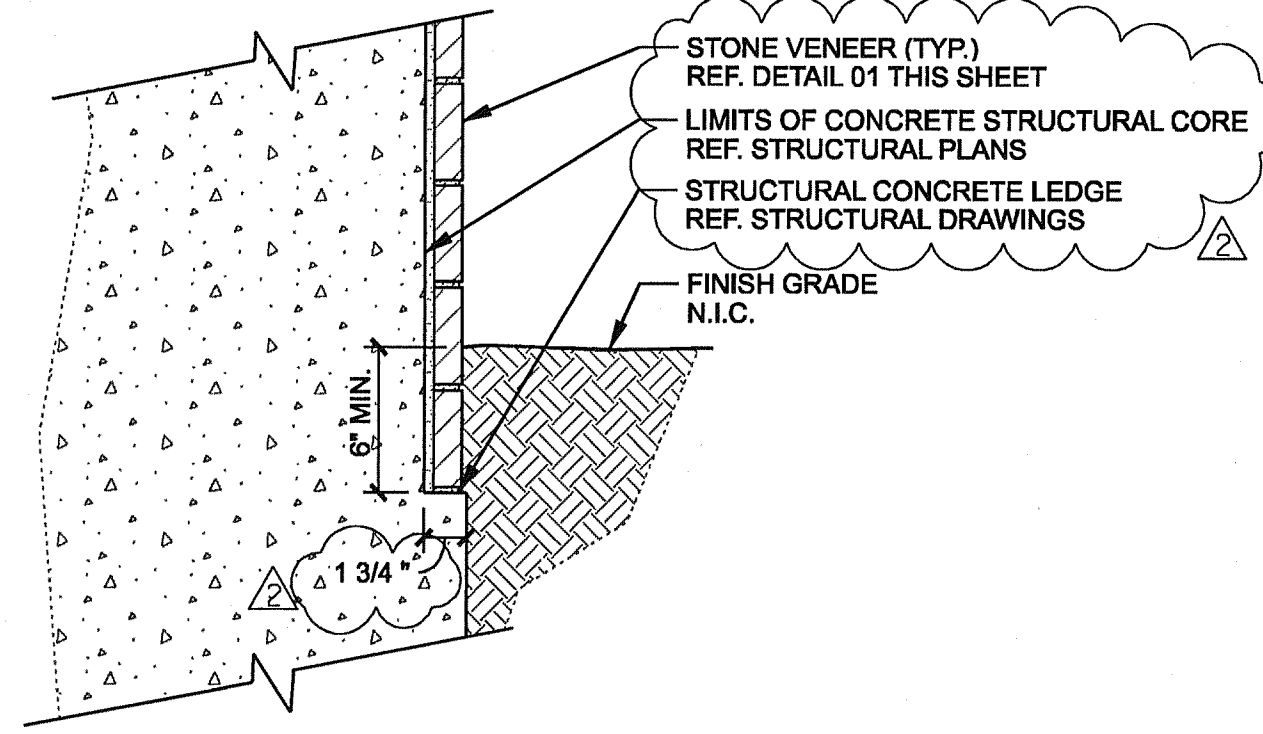


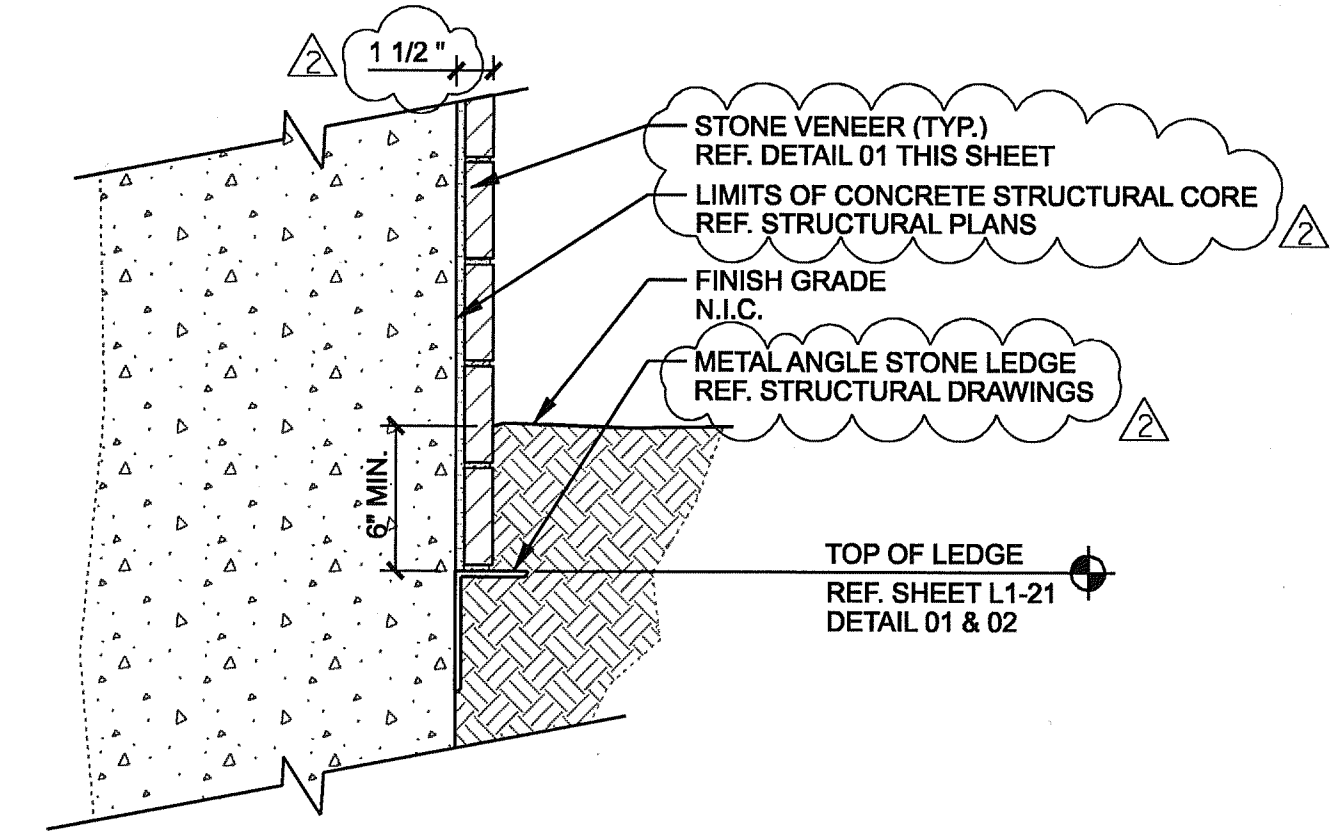
**01 STONE WALL (TYP.)**  
SCALE: 1 1/2"=1'-0" SECTION



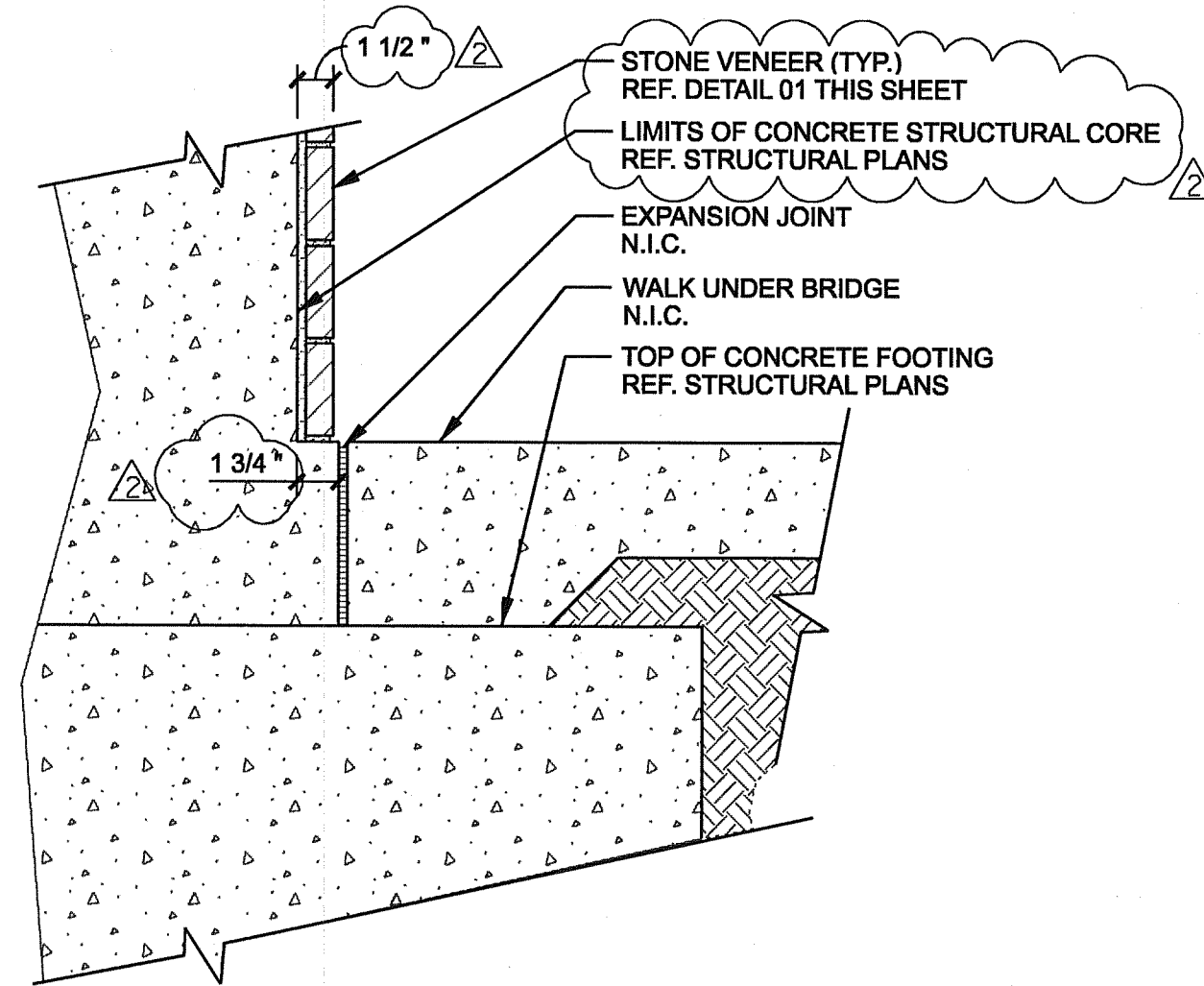
**02 STONE VENEER AT WALL CAP (TYP.)**  
SCALE: 1 1/2"=1'-0" SECTION



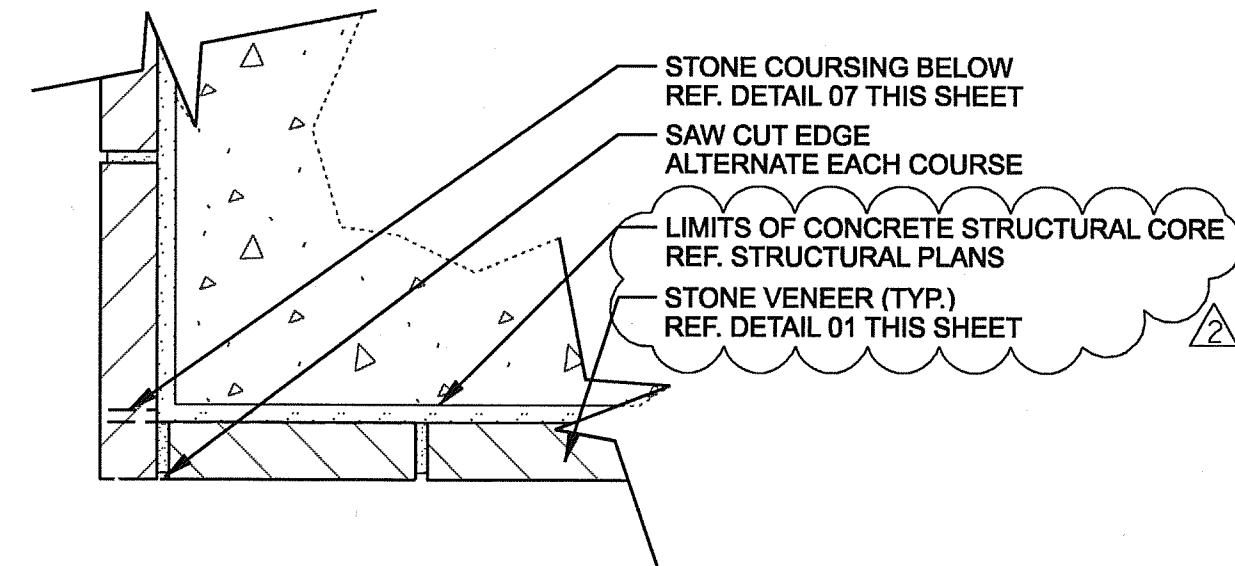
**03 VENEER BASE AT CONCRETE LEDGE**  
SCALE: 1 1/2"=1'-0" SECTION



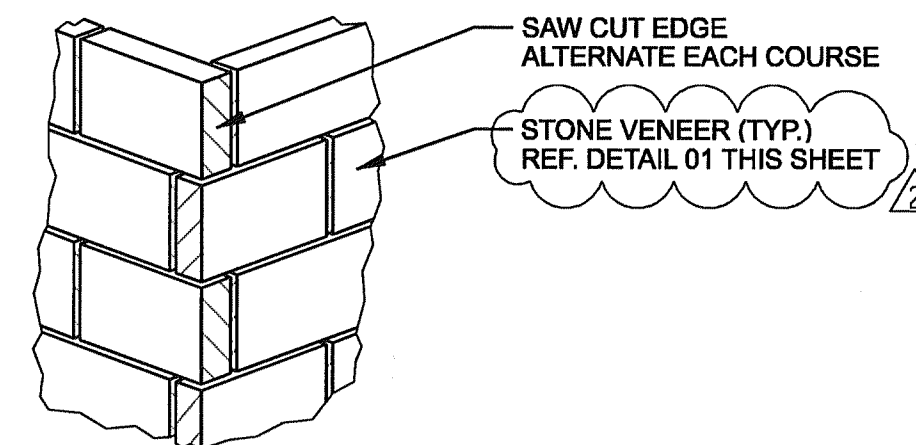
**04 VENEER BASE AT STONE LEDGE**  
SCALE: 1 1/2"=1'-0" SECTION



**05 VENEER BASE BELOW BRIDGE**  
SCALE: 1 1/2"=1'-0" SECTION



**06 CORNER TREATMENT (TYP.)**  
SCALE: 3"=1'-0" PLAN



**07 CORNER TREATMENT (TYP.)**  
NOT TO SCALE ISOMETRIC

**DESIGN SELECTION: STRUCTURE**

**STONE:**

BLUE GREEN CHINESE STONE

VENEER THICKNESS: 3 cm  
 VENEER HEIGHT: 4"  
 VENEER LENGTH: 8", 13" AND 21"  
 VENEER FINISH: THERMAL  
 VENEER EDGES: ALL FOUR SIDES TO BE SAW CUT  
 MORTAR: TO MATCH ON SITE MOCK-UP  
 COURSING: TO MATCH ON SITE MOCK-UP

**CONCRETE ELEMENTS:**

**MASK WALL**

FINISH: HEAVY SANDBLAST ALL SIDES  
 COLOR: NONE

**WALL CAP**

FINISH: HEAVY SANDBLAST  
 COLOR: NONE

**STRUCTURE GENERAL NOTES:**

- SEE ON-SITE MOCK-UP FOR ALL REFERENCED CONCRETE AND STONE, COLORS AND TEXTURES. FINAL APPROVAL BY OWNER OR OWNERS REPRESENTATIVE IS REQUIRED PRIOR TO WORK COMMENCEMENT.
- CONTRACTOR TO PROVIDE A 4' x 4' MOCK-UP OF ALL REFERENCED CONCRETE AND STONE, COLORS AND TEXTURES FOR APPROVAL PRIOR TO WORK COMMENCEMENT.



THE SEAL APPEARING ON THIS DOCUMENT WAS AUTHORIZED BY LENNY L. HUGHES, P.L.A. #2061 ON 05-19-2010. ALTERATION OF A SEALED DOCUMENT WITHOUT PROPER NOTIFICATION TO THE RESPONSIBLE LANDSCAPE ARCHITECT IS AN OFFENSE UNDER THE TEXAS ENGINEERING PRACTICE ACT. THE RECORD COPY OF THIS DRAWING IS ON FILE AT THE OFFICES OF HALFF ASSOCIATES, INC., 1201 NORTH BOWSER, RICHARDSON, TEXAS 75081. TBE FIRM #0312

ADDENDUM #2	JDB	05/19/10
ADDENDUM #1	JDB	05/14/10
NO.	REVISION	BY DATE

**ADDISON TOWN OF ADDISON**  
DALLAS COUNTY, TEXAS

**VITRUVIAN PARK BRIDGES**

**GENERAL DETAILS**

**HALFF** 1201 NORTH BOWSER ROAD, RICHARDSON, TEXAS 75081-2275  
 TEL (214) 346-6200 FAX (214) 739-0095

PROJECT	DESIGN	DRAWN	DATE	FILE	SHEET
27379	JDB	AHH	APRIL 2010	-	L3-03