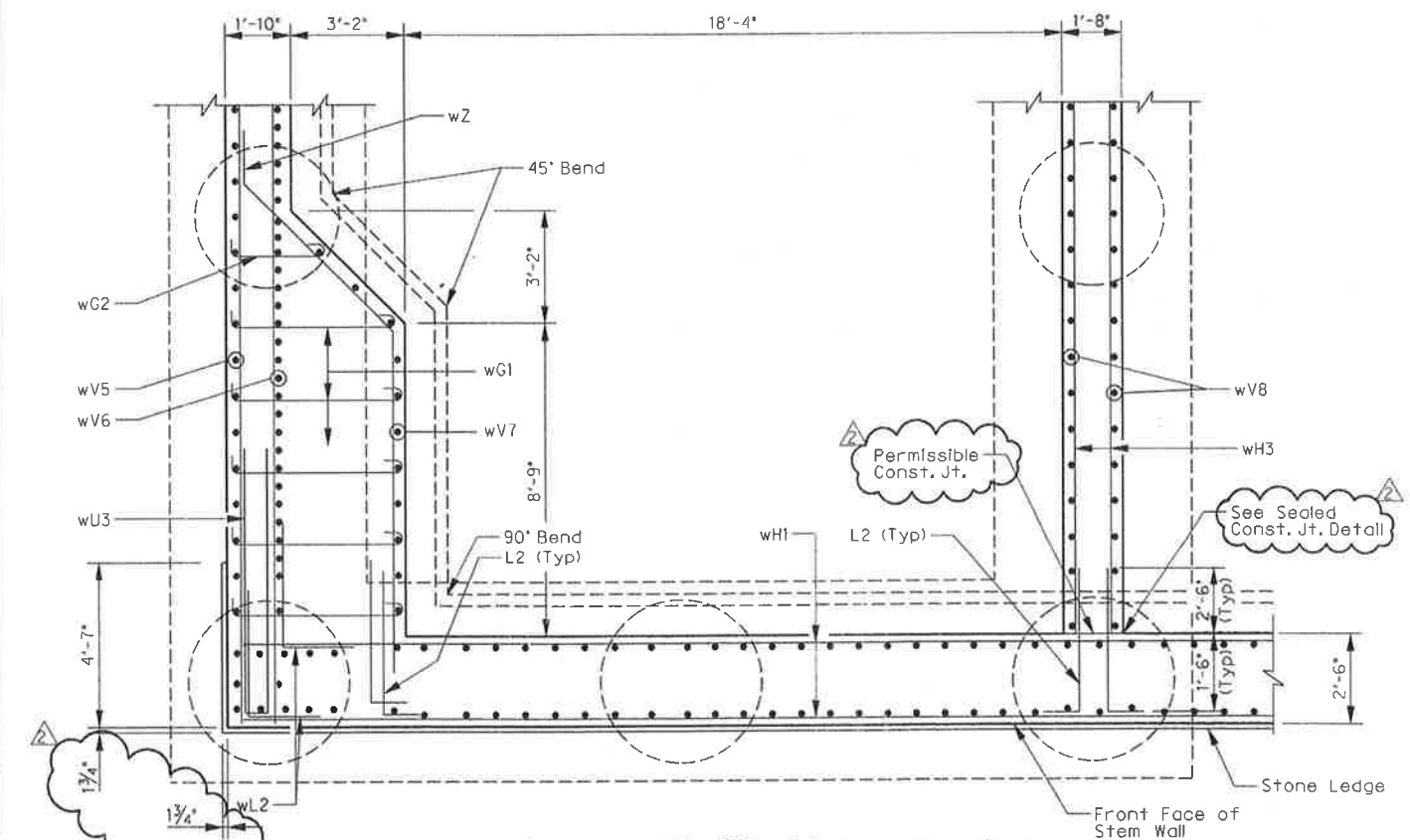


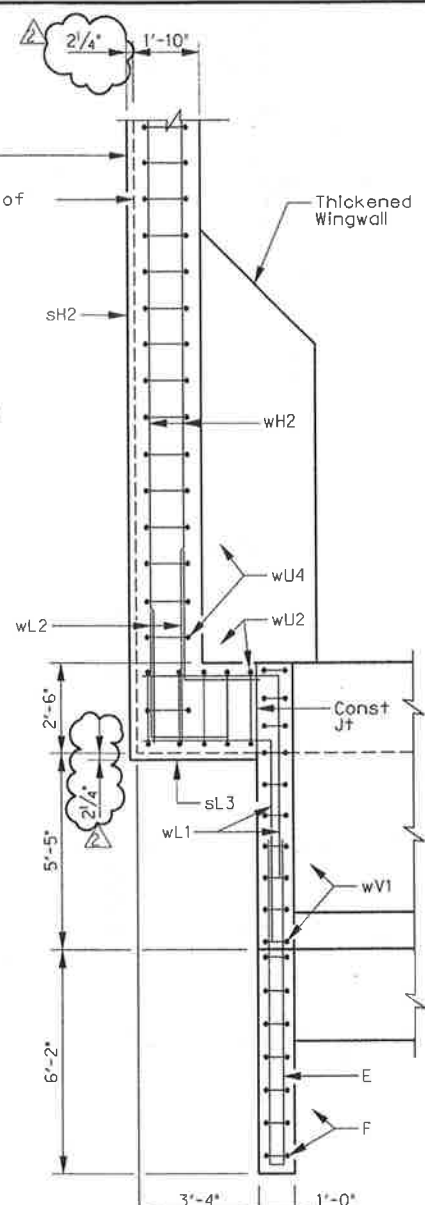
WALL CORNER DETAILS (TOP)

SCALE: 3/8" = 1'-0"



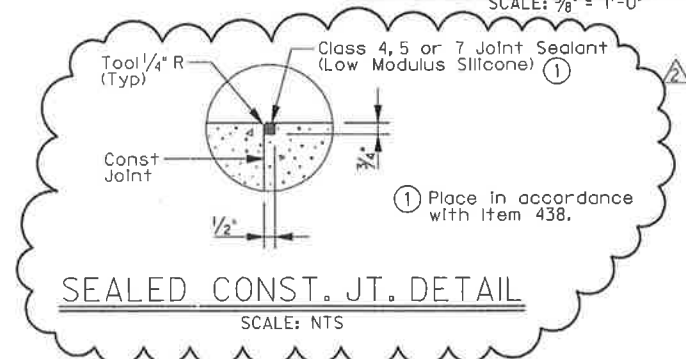
WALL CORNER DETAILS (BOTTOM)

SCALE: 3/8" = 1'-0"



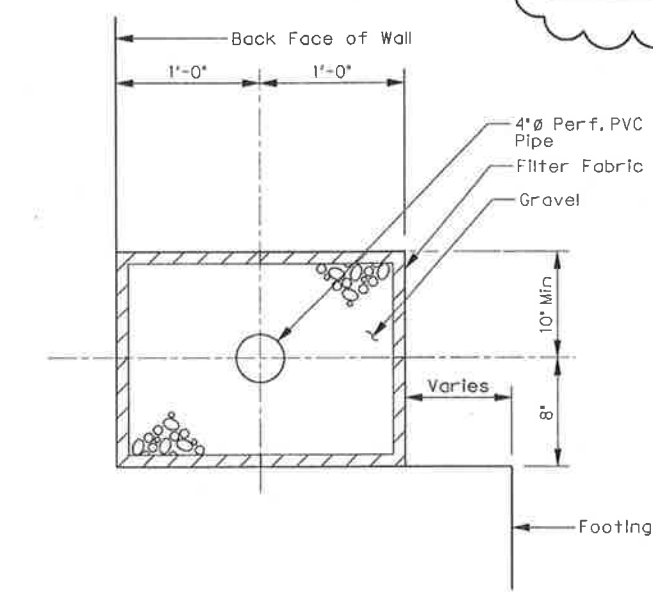
CAP END DETAIL

SCALE: 3/8" = 1'-0"



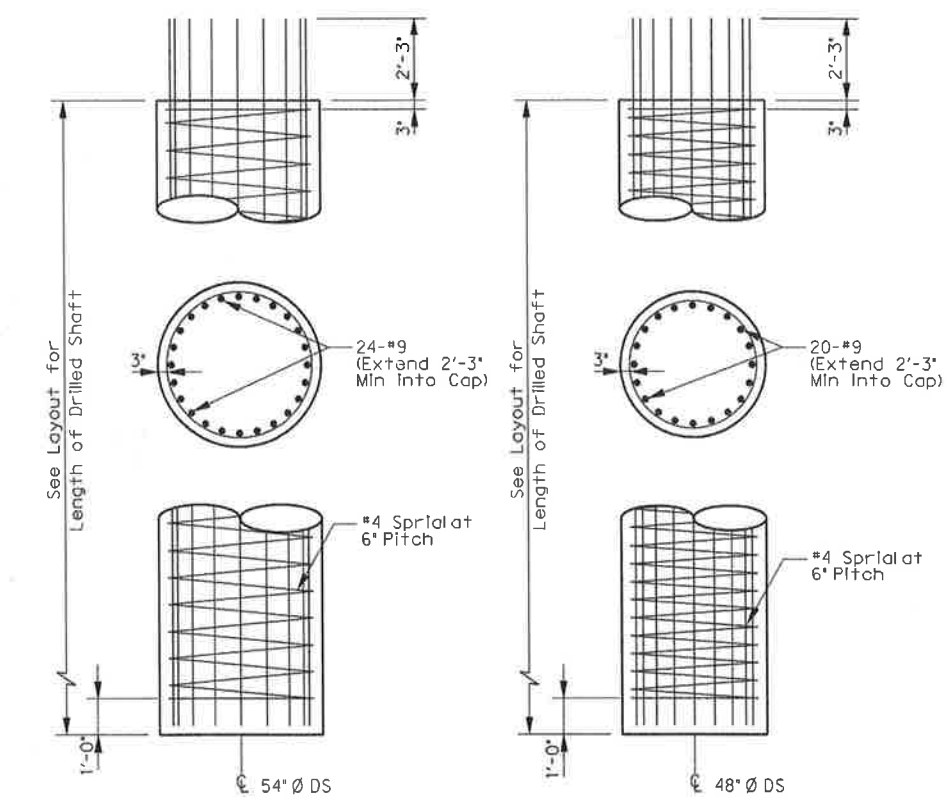
SEALED CONST. JT. DETAIL

SCALE: N.T.S.



UNDERDRAIN DETAIL

SCALE: N.T.S.



DRILLED SHAFT DETAILS

SCALE: 3/8" = 1'-0"



THE SEAL APPEARING ON THIS DOCUMENT WAS AUTHORIZED BY ERIC S. CHRISTENSEN, P.E. #85412 ON 05-19-2010. ALTERATION OF A SEALED DOCUMENT WITHOUT PROPER NOTIFICATION TO THE RESPONSIBLE ENGINEER IS AN OFFENSE UNDER THE TEXAS ENGINEERING PRACTICE ACT. THE RECORD COPY OF THIS DRAWING IS ON FILE AT THE OFFICES OF HALFF ASSOCIATES, 1201 NORTH BOWSER ROAD, RICHARDSON, TEXAS, 75081, 1895 FRM #7-312.

Addendum #2		ESC		05/19/10	
NO.		REVISION		BY DATE	
TOWN OF ADDISON DALLAS COUNTY, TEXAS VITRUVIAN PARK BRIDGES PONTE AVENUE ABUTMENT DETAILS - WALL CORNER & DR. SHAFTS					
HALFF 1201 NORTH BOWSER ROAD, RICHARDSON, TEXAS 75081-2278 TEL (214) 348-6200 FAX (214) 739-0066					
PROJECT	DESIGN	DRAWN	DATE	FILE	SHEET
27379	ESC	AHH	APRIL 2010	-	S1-12