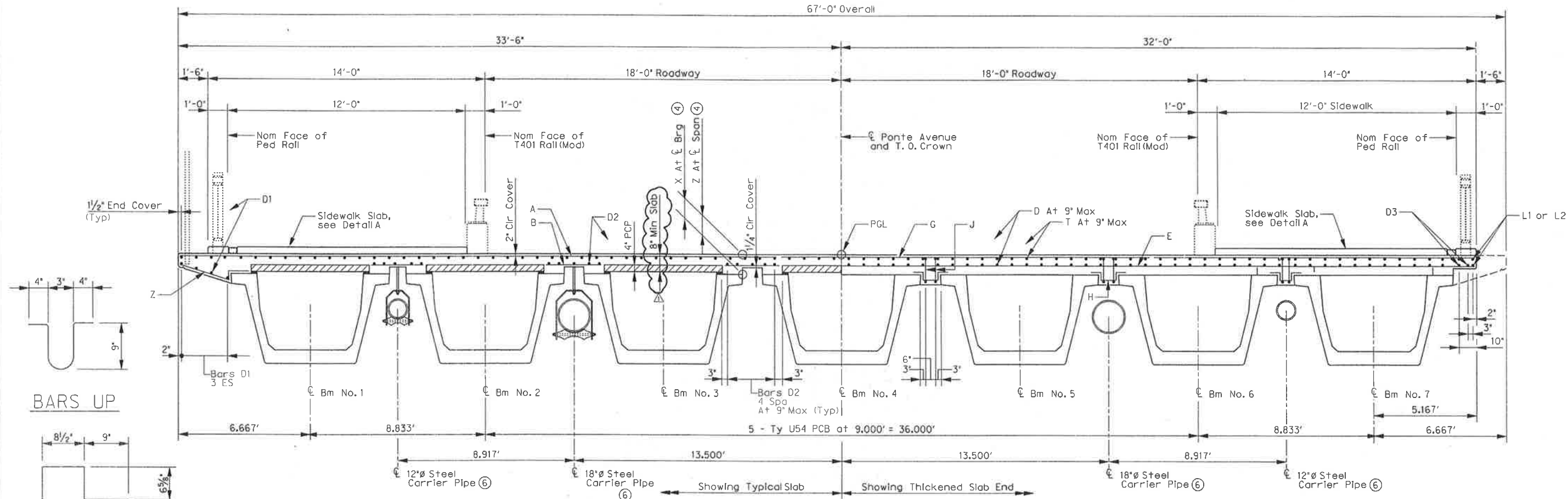


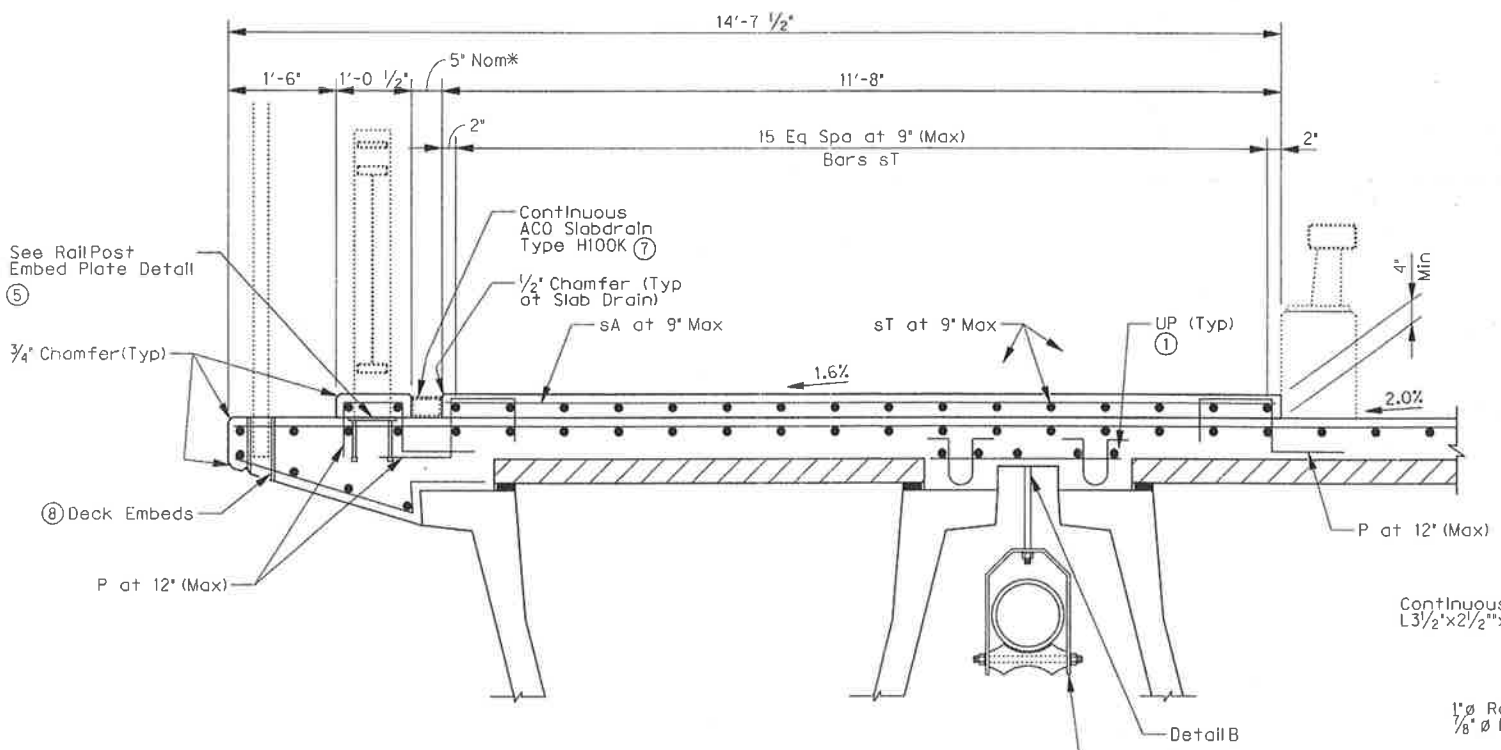
67'-0" Overall



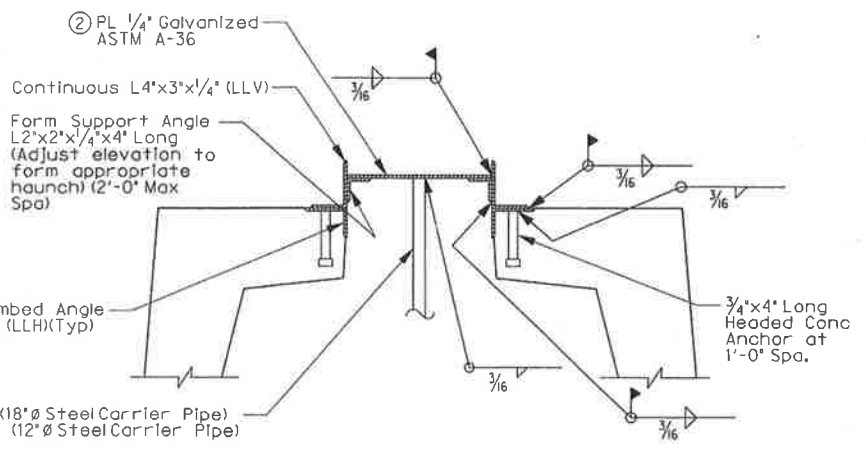
SECTION A-A
SCALE: 3/8" = 1'-0"

- ① Space bars UP with beam bars R in all areas where measured haunch exceeds 3'.
- ② Replace galvanized sheet steel with a 1/4" galvanized steel plate see UBMS standard for galvanized sheet steel detail.
- ③ Copper B-line B3110-18 (18" Ø steel carrier pipe) spaced at 6'-0" Max C.C. Copper B-line B3110-12 (12" Ø steel carrier pipe) spaced at 6'-0" Max C.C. Pipe supports are subsidiary to Steel Pipe Item 442, Misc. Steel.
- ④ See sheet 1 of 2 for table of dimensions.
- ⑤ Leave the bottom 1 inch of post ungalvanized.
- ⑥ 18" Ø steel pipe shall be schedule 40 pipe with 18" O.D. 12" Ø steel pipe shall be schedule 40 with 12" O.D. All steel pipes shall be galvanized.
- ⑦ Use grate Type 4100 or 4120 galvanized steel. The contractor shall submit a sample of the grate prior to installation.
- ⑧ See Drawing No. S1-24 for additional details.

BARS P



DETAIL A
SCALE: 3/4" = 1'-0"



DETAIL B
SCALE: NTS

* Refer To Manufacturer For Slab Drain Dimensions.



THE SEAL APPEARING ON THIS DOCUMENT WAS AUTHORIZED BY ERIC S. CHRISTENSEN, P.E. #85412 ON 05-14-2010. ALTERATION OF A SEALED DOCUMENT WITHOUT PROPER NOTIFICATION TO THE RESPONSIBLE ENGINEER IS AN OFFENSE UNDER THE TEXAS ENGINEERING PRACTICE ACT. THE SECOND COPY OF THIS DRAWING IS ON FILE AT THE OFFICES OF HALFF ASSOCIATES, 1201 NORTH BOWSER ROAD, RICHARDSON, TEXAS, 75081, TEL# 972-312-1100.

ADDENDUM #1		ESC	5/14/10
NO.	REVISION	BY	DATE
TOWN OF ADDISON DALLAS COUNTY, TEXAS			
VITRUVIAN PARK BRIDGES PONTE AVENUE			
DECK DETAILS			
		1201 NORTH BOWSER ROAD, RICHARDSON, TEXAS 75081-2275 TEL (214) 348-6200 FAX (214) 739-0085	
PROJECT	DESIGN	DRAWN	DATE
27379	ESC	AHH	APRIL 2010
FILE	SHEET		
-	S1-17		