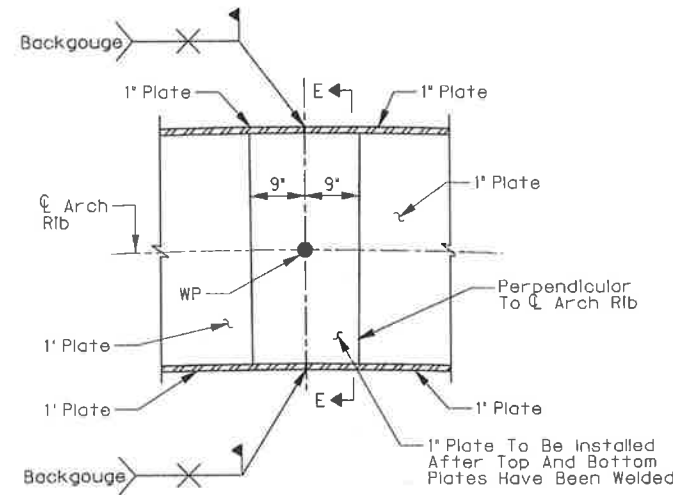
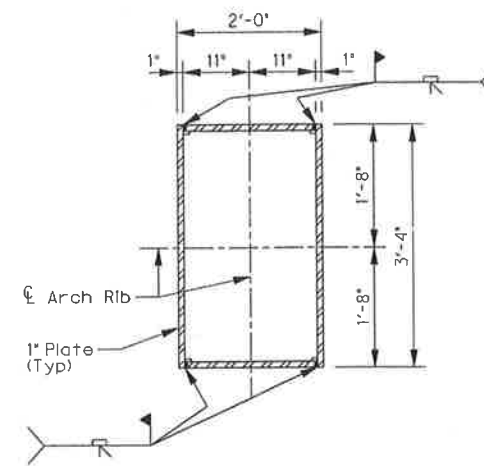


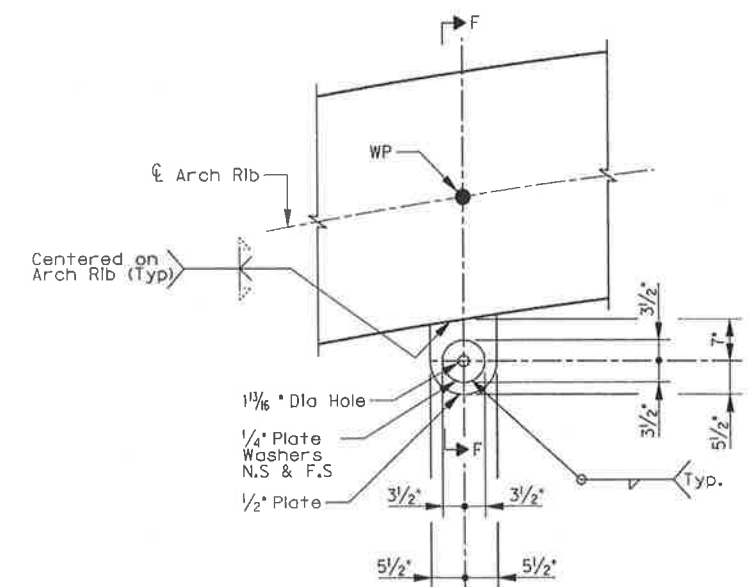
SECTION THROUGH ARCH RIB
SCALE: 3/4" = 1'-0"



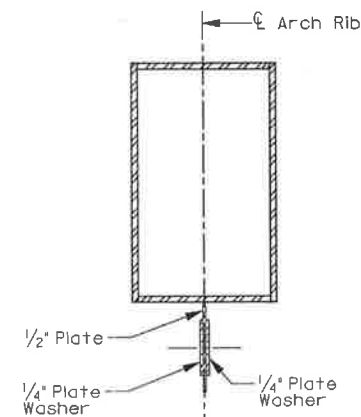
FIELD SPLICE
SCALE: 3/4" = 1'-0"



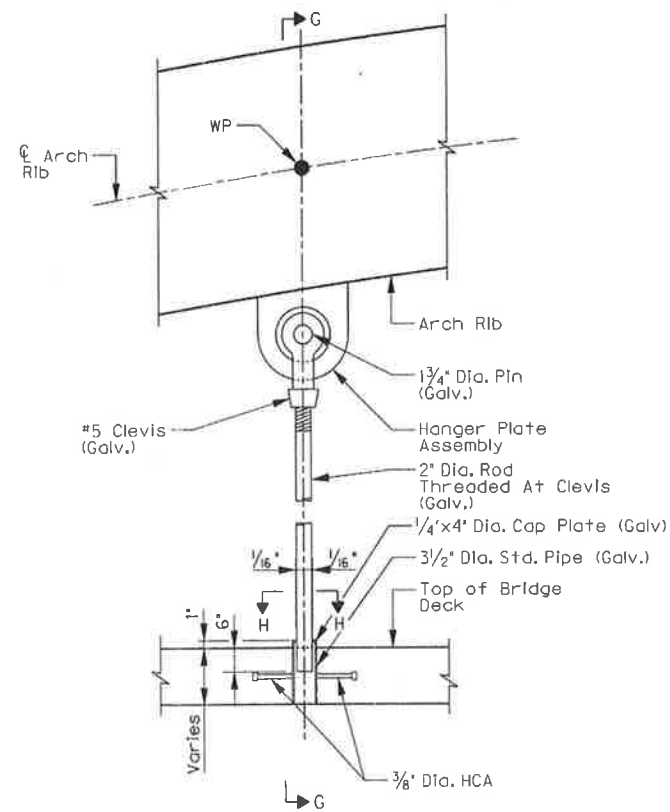
SECTION E-E
SCALE: 3/4" = 1'-0"



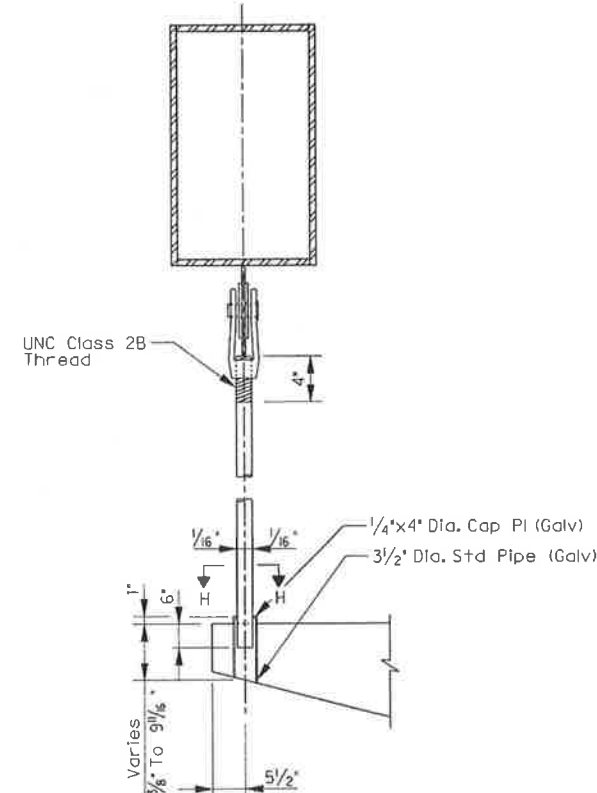
HANGER PLATE ASSEMBLY
SCALE: 3/4" = 1'-0"



SECTION F-F
SCALE: 3/4" = 1'-0"

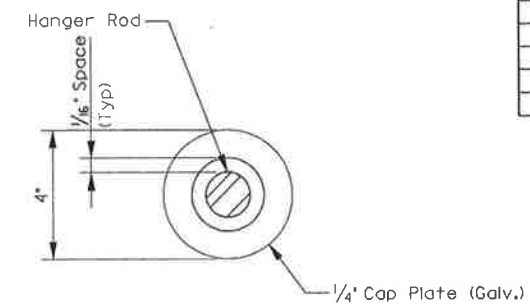


ROD HANGER ASSEMBLY
SCALE: 3/4" = 1'-0"



SECTION G-G
SCALE: 3/4" = 1'-0"

Note: Coordinate thread requirements with Clevis manufacturer.



SECTION H-H
SCALE: N.T.S.

Hanger	Quantity	Length (Feet)
1	2	8'-1 1/2"
2	2	17'-0"
3	2	23'-4 1/2"
4	2	27'-2 1/2"
5	2	28'-7"
6	2	27'-5"
7	2	23'-9"
8	2	17'-7"
9	2	8'-11 1/4"

HANGER LENGTHS



04-29-10
THE SEAL APPEARING ON THIS DOCUMENT WAS AUTHORIZED BY ERIC S. CHRISTIANSEN, P.E. #85412 ON 04-29-2010. ALTERATION OF A SEALED DOCUMENT WITHOUT PROPER NOTIFICATION TO THE RESPONSIBLE ENGINEER IS AN OFFENSE UNDER THE TEXAS ENGINEERING PRACTICE ACT. THE RECORD COPY OF THIS DRAWING IS ON FILE AT THE OFFICES OF HALFF ASSOCIATES, 1201 NORTH BOWSER ROAD, RICHARDSON, TEXAS, 75081, TYPE FIRM "F-312."

NO.	REVISION	BY	DATE
ADDISON TOWN OF ADDISON DALLAS COUNTY, TEXAS			
VITRUVIAN PARK BRIDGES PONTE AVENUE			
ARCH DETAILS SECTIONS AND DETAILS			
HALFF 1201 NORTH BOWSER ROAD, RICHARDSON, TEXAS 75081-2275 TEL (214) 346-6200 FAX (214) 739-0095			
PROJECT	DESIGN	DRAWN	DATE
27379	ESC	AHH	APRIL 2010
FILE	SHEET		
-	S1-24		